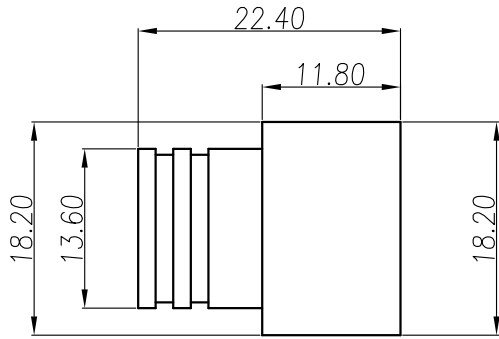


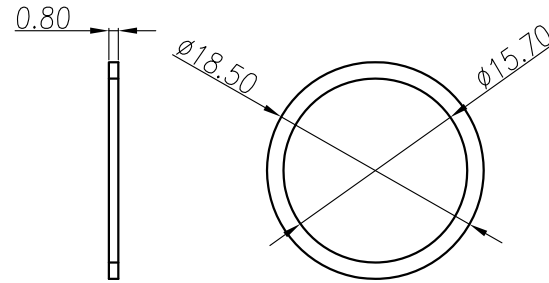
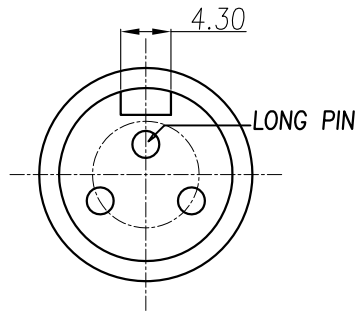
This document is the property of Nian-Yeong Corporation and is delivered on the express condition that it is not to be disclosed, reproduced or used, in whole or in part, for manufacture or sale by anyone other than Nian-Yeong Corporation without its prior consent, and that no right is granted to disclose or to use any information in this document.

CUSTOMER DRAWING

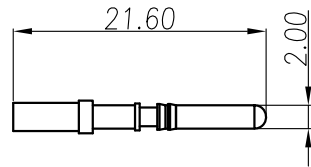
REV.	DESCRIPTION	APPROVED BY	DATE	ECN NO.
A	RELEASE	Fido Weng	26/03/14'	
B				
C				



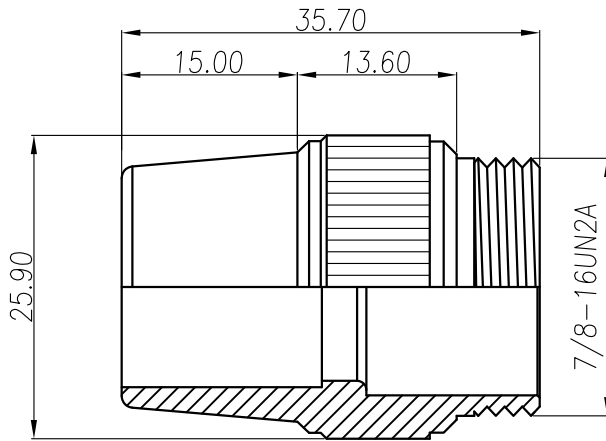
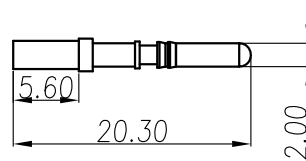
HOUSING



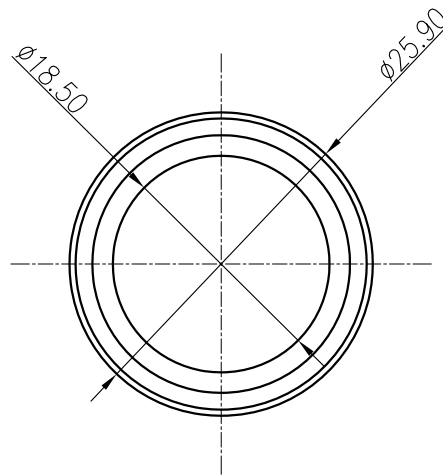
WASHER



CONTACT



SHELL



- MATERIAL :
 - 1-1. HOUSING : TPU UL94V-0 ; COLOR : YELLOW
 - 1-2. CONTACT : BRASS
 - 1-3. NUT : BRASS
 - 1-4. WASHER : POM ; COLOR : WHITE.
- FINISH :
 - 2-1. CONTACT : GOLD PLATED.
UNDER PLATE : NICKEL
 - 2-2. NUT : NICKEL PLATED
- ELECTRICAL SPECIFICATION :
 - 3-1. Rated current : 20A
 - 3-2. Rated Voltage : 250V
 - 3-3. Water proof: IP68
- Environmental :
 - 4-1. Operation Temperature : -20 °C~85°C

DRAWN	Mark Kao	APP'D	Ku Chou	UNIT	mm	TOLERANCE	 NIAN YEONG ENTERPRISE 年永實業有限公司	TITLE	防水頭 7/8-16" 3pin (M) 異線式異銅管			SHEET	 A
CHK'D	Emily Suen			SCALE	1:1	.x ±0.25 .xx ±0.20 .xxx ±0.10 .xxxx ±0.03 ANGULA ±1°		PART NO.	WP-03M2-39-11	DWG NO.	QC6622	VERSION	