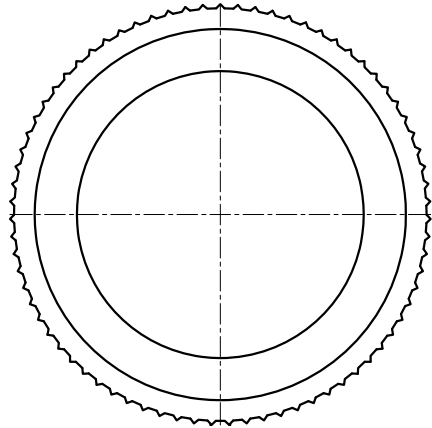
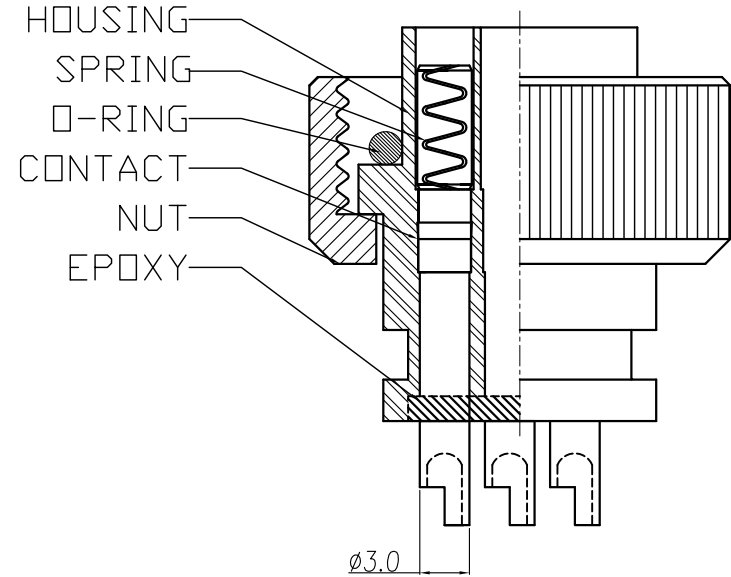
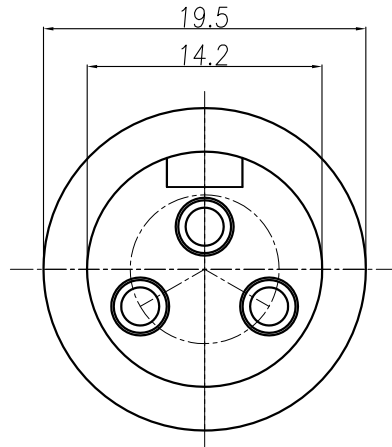
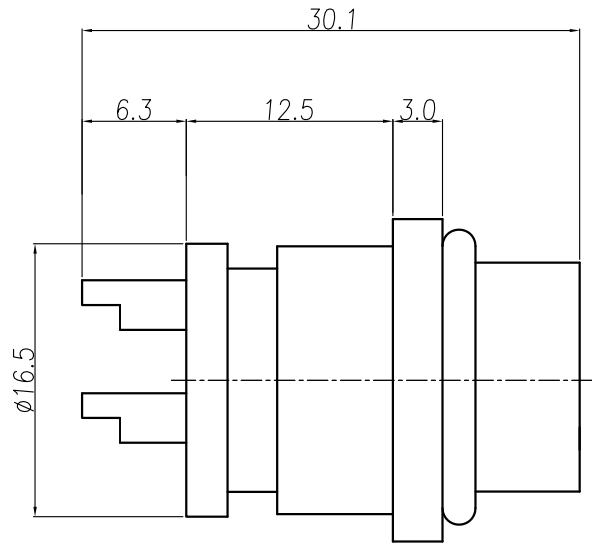


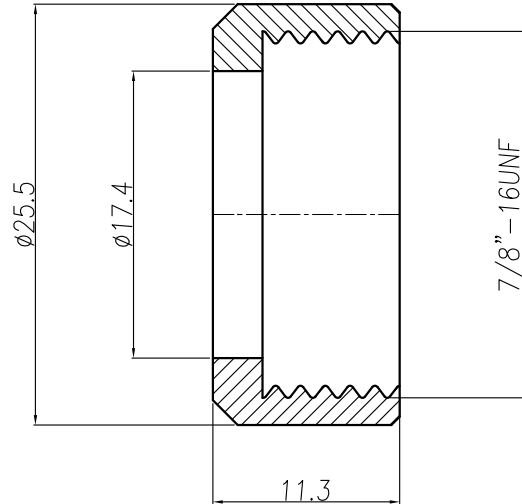
This document is the property of Nian-Yeong Corporation and is delivered on the express condition that it is not to be disclosed, reproduced or used, in whole or in part, for manufacture or sale by anyone other than Nian-Yeong Corporation without its prior consent, and that no right is granted to disclose or to use any information in this document.

CUSTOMER DRAWING

| REV. | DESCRIPTION | APPROVED BY | DATE | ECN NO. |
|------|-------------|-------------|-----------|---------|
| A | RELEASE | Fido Weng | 17/05/12' | |
| B | | | | |
| C | | | | |



NUT



- MATERIAL :
 - 1-1. HOUSING : PBT UL94V-0 ; COLOR : YELLOW
 - 1-2. CONTACT : BRASS
 - 1-3. SPRING : PHOSPHOR BRONZE
 - 1-4. NUT : BRASS
 - 1-5. O-RING : NBR
- FINISH :
 - 2-1. CONTACT : 30 MICRO INCHES MIN. GOLD PLATED
 - UNDER PLATE : NICKEL
 - 2-2. SPRING : MATTE TIN PLATED
 - 2-3. NUT : NICKEL PLATED
- ELECTRICAL SPECIFICATION :
 - 3-1. Rated current : 20A
 - 3-2. Rated voltage : 250V
 - 3-3. Water proof : IPX8
- Environmental :
 - 4-1. Operation Temperature : -20°C~85°C

| | | | | | | | | | | | | | |
|-------|------------|-------|---------|-------|-----|--|--|----------|----------------------|---------|--------|---------|--|
| DRAWN | Mark Kao | APP'D | Ku Chou | UNIT | mm | TOLERANCE | | TITLE | 防水頭 7/8 3PIN(F) 杯口線端 | | | SHEET | |
| CHK'D | Enily Suen | | | SCALE | 1:1 | .x ±0.25 .xx ±0.20 .xxx ±0.10 .xxxx ±0.03 ANGULA ±1° | | PART NO. | WP-03F2-32 | DWG NO. | QC5774 | VERSION | |

NIAN YEONG ENTERPRISE
年永實業有限公司