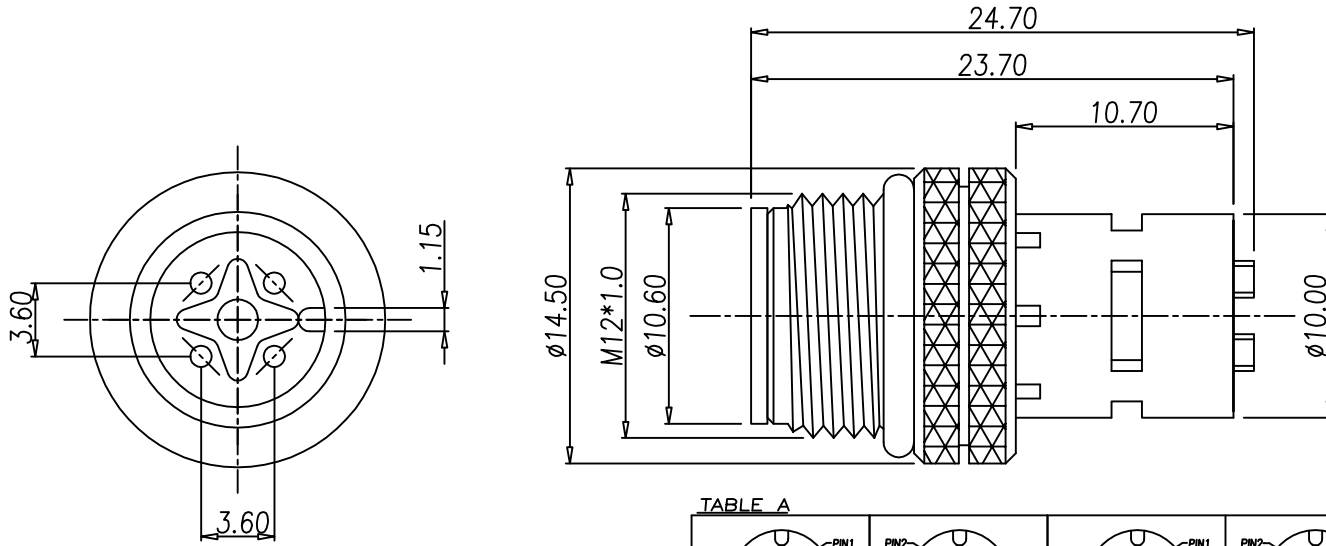


This document is the property of Nian-Yeong Corporation and is delivered on the express condition that it is not to be disclosed, reproduced or used, in whole or in part, for manufacture or sale by anyone other than Nian-Yeong Corporation without its prior consent, and that no right is granted to disclose or to use any information in this document.

CUSTOMER DRAWING

REV.	DESCRIPTION	APPVL. BY	DATE	ECN NO.
A	RELEASE	Fido Weng	06/05/13*	
B				
C				



- MATERIAL :
 - HOUSING : SEE TABLE A UL94V-0 ; COLOR : BLACK
 - CONTACT : BRASS
 - NUT : SEE TABLE A
 - O-RING : EPDM ; COLOR : BLACK
 - SHELL : SEE TABLE A
- FINISH :
 - CONTACT : SEE TABLE A
 - UNDER PLATE : NICKEL
 - NUT : SEE TABLE A
 - SHELL : SEE TABLE A
- ELECTRICAL SPECIFICATION :
 - Rated current : 4A
 - Rated Voltage : 2PIN~4PIN 250V ; 5PIN 60V
 - Water proof : IP68
- Environmental :
 - Operation Temperature : -20°C~85°C

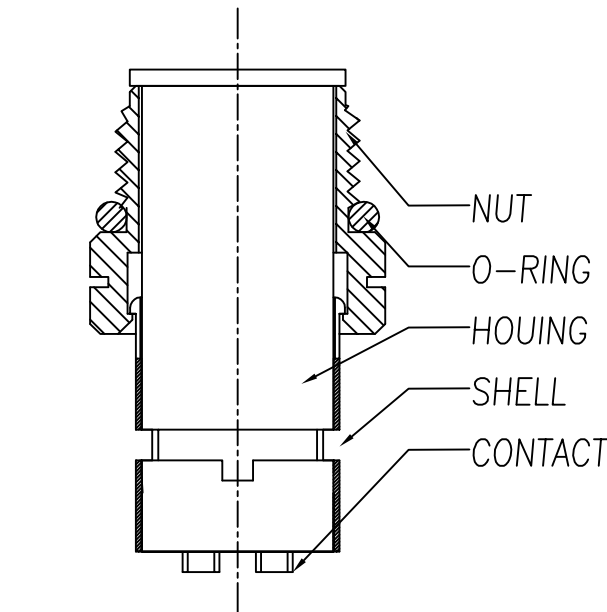


TABLE A

2PIN	3PIN	3PIN	4PIN	5PIN
WP-02M2-89-11	WP-03M2-74-11 WP-03M2-75-11	WP-03M2-76-11 WP-03M2-77-11	WP-04M2-82-11 WP-04M2-126-11 WP-04M2-217-11 WP-04M2-218-11	WP-05M2-99-11 WP-05M2-107-11 WP-05M2-112-11 WP-05M2-175-11 WP-05M2-176-11

WP-04M2-218-11	GOLD 10u"	PBT	STAINLESS STEEL 316	PASSIVATION	STAINLESS STEEL 316	PASSIVATION
WP-04M2-217-11	GOLD 10u"	PBT	BRASS	BRIGHT TIN PLATED	STAINLESS STEEL 316	PASSIVATION
WP-05M2-176-11	GOLD 10u"	PBT	STAINLESS STEEL 316	PASSIVATION	STAINLESS STEEL 316	PASSIVATION
WP-05M2-175-11	GOLD 10u"	PBT	BRASS	BRIGHT TIN PLATED	STAINLESS STEEL 316	PASSIVATION
WP-02M2-89-11	GOLD FLASH	PBT	BRASS	BRIGHT TIN PLATED	BRASS	NICKEL PLATED
WP-03M2-74-11	GOLD FLASH	PBT	BRASS	BRIGHT TIN PLATED	BRASS	NICKEL PLATED
WP-03M2-75-11	GOLD 10u"	PBT	BRASS	BRIGHT TIN PLATED	BRASS	NICKEL PLATED
WP-03M2-76-11	GOLD FLASH	PBT	BRASS	BRIGHT TIN PLATED	BRASS	NICKEL PLATED
WP-03M2-77-11	GOLD 10u"	PBT	BRASS	BRIGHT TIN PLATED	BRASS	NICKEL PLATED
WP-04M2-126-11	GOLD FLASH	PBT	BRASS	BRIGHT TIN PLATED	BRASS	NICKEL PLATED
WP-04M2-82-11	GOLD 10u"	PBT	BRASS	BRIGHT TIN PLATED	BRASS	NICKEL PLATED
WP-05M2-107-11	GOLD FLASH	PBT	BRASS	BRIGHT TIN PLATED	BRASS	NICKEL PLATED
WP-05M2-99-11	GOLD 10u"	PBT	BRASS	BRIGHT TIN PLATED	BRASS	NICKEL PLATED
WP-05M2-112-11	GOLD 10u"	NYLON 66	BRASS	BRIGHT TIN PLATED	BRASS	NICKEL PLATED
PART NO	FINISH(CONTACT)	MATERIAL(HOUSING)	MATERIAL(SHELL)	FINISH(SHELL)	MATERIAL(NUT)	FINISH(NUT)

DRAWN	Mark Kao	APP'D	Ku Chou	UNIT	mm	TOLERANCE			NIAN YEONG ENTERPRISE 年永實業有限公司	TITLE	防水頭 M12 (M)A-CODE 接地線式			SHEET	
CHK'D	Emily Suen			SCALE	1:1	.x ±0.20 .xx ±0.10 .xxx ±0.05 .xxxx ±0.03 ANGULA ±1°				PART NO.	SEE TABLE A	DWG NO.	QC6180	VERSION	