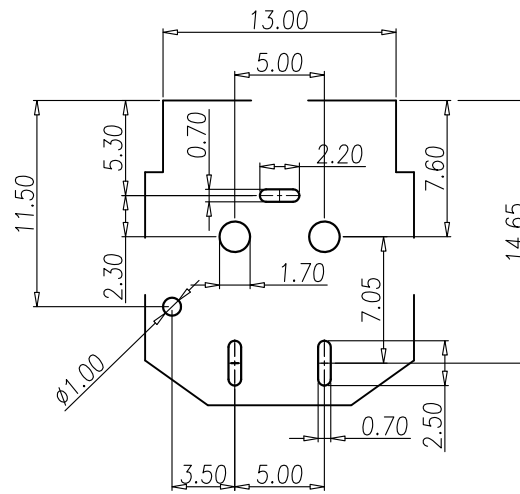
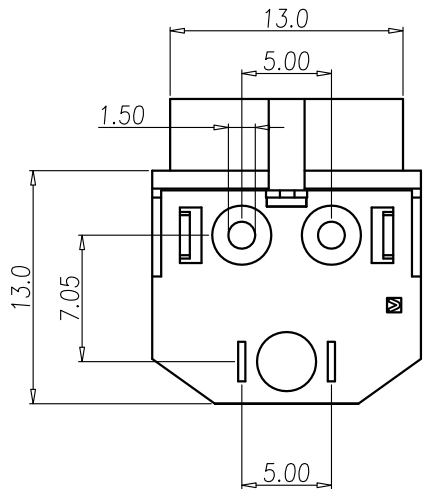
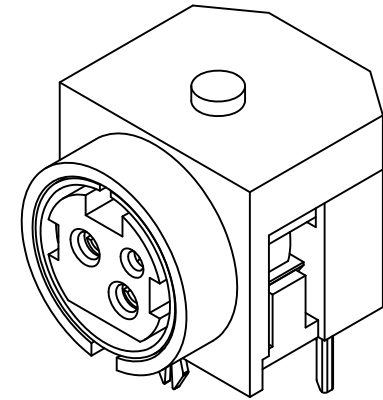
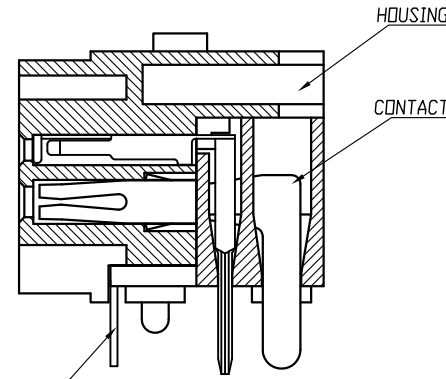
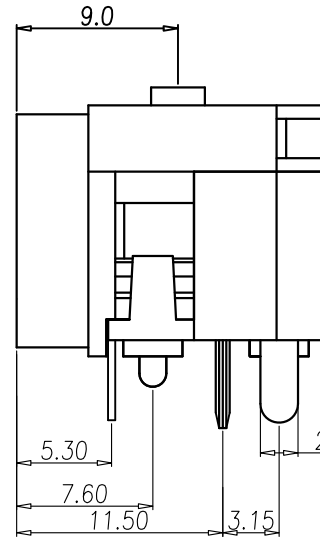
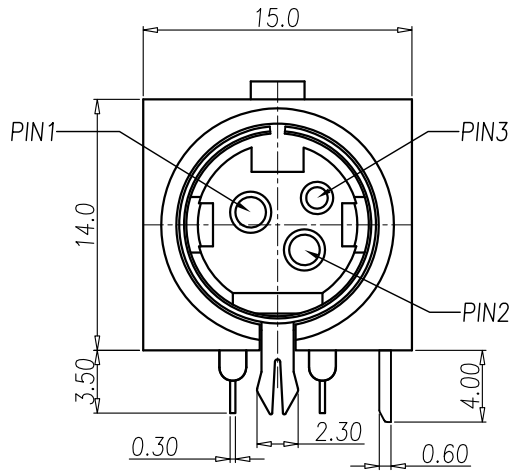


This document is the property of Nian-Yeong Corporation and is delivered on the express condition that it is not to be disclosed, reproduced or used, in whole or in part, for manufacture or sale by anyone other than Nian-Yeong Corporation without its prior consent, and that no right is granted to disclose or to use any information in this document.

CUSTOMER DRAWING

REV.	DESCRIPTION	APPVL. BY	DATE	ECN NO.
A	RELEASE	Fido Weng	24/02/09*	
B	RELEASE	Fido Weng	07/05/10*	
C				



P.C.B LAYOUT(PART MOUNT SIDE)

- MATERIAL :
 - HOUSING : SEE TABLE A
 - CONTACT : PHOSPHOR BRONZE
 - SHELL : BRASS
 - BACK COVER : SEE TABLE A
- FINISH :
 - CONTACT : 30 MICRO INCHES MIN. SILVER PLATING OVER NICKEL
 - SHELL : NICKEL PLATED 60u" ~ 100u" OVER ALL
- ELECTRICAL SPECIFICATION :
 - RATED CURRENT : PIN1 & PIN2 : 7.5A
PIN3 : 1A
 - RATED VOLTAGE : 20V DC
- ENVIRONMENTAL :
 - OPERATION TEMPERATURE : -20 °C ~ 85°C

TABLE A

PART NO.	HOUSING & BACK COVER
PD-03F2-01	PBT UL94V-0
PD-03F2-05	LCP UL94V-0

DRAWN	Ren Liao	APP'D	Fido Weng	UNIT	mm	TOLERANCE	.x ±0.20 .xx ±0.15 .xxx ±0.10 .xxxx ±0.05 ANGULAR ±1°	TITLE	PowerDin 3(F) 板端 DIP	SHEET	1/2
CHK'D	Emily Suen			SCALE	1:1			PART NO.	SEE TABLE A	DWG NO.	QC0358



This document is the property of Nian-Yeong Corporation and is delivered on the express condition that it is not to be disclosed, reproduced or used, in whole or in part, for manufacture or sale by anyone other than Nian-Yeong Corporation without its prior consent, and that no right is granted to disclose or to use any information in this document.

CUSTOMER DRAWING

REV.	DESCRIPTION	APPVL. BY	DATE	ECN NO.
A	RELEASE	Fido Weng	08/03/09*	
B				
C				

步驟一:

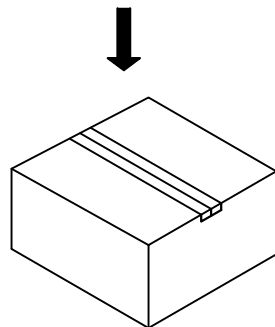
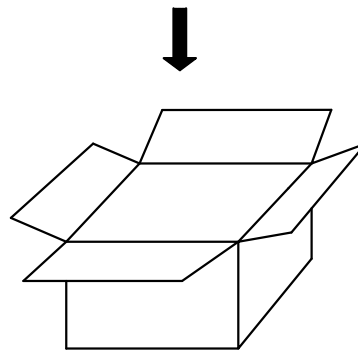
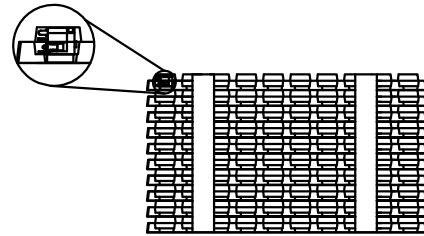
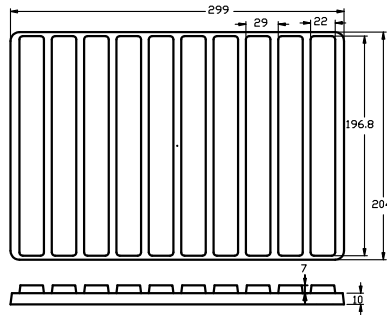
1. 將成品一一放入包裝盤內,依同一方向置入。
2. 包裝方式,如圖所示。
3. 一個包裝盤 100pcs.

步驟二:

1. 一個紙箱可以裝 10 個包裝盤
2. 每盤 100pcs, 每箱 1000pcs.
3. 膠模固定後將包裝盤放紙箱中,後封箱。

步驟三:

1. 用膠帶將紙箱封實。
2. 將標籤貼於紙箱上。



紙箱

ITEM NO:
 QTY: PGS
 N. W. : KG
 G. W. : KG
 MEAS:

標籤處

C/NO. :

NOTE:

1. 若有未裝滿之零數箱,必須以緩衝材塞滿。
2. 在搬運過程中要輕拿輕放。
3. 載運輸中不可堆放過多,不可有重壓現象。

DRAWN	Ren Liao	APP'D	Fido Weng	UNIT	mm	TOLERANCE	 NIAN YEONG ENTERPRISE 年永實業有限公司	TITLE	PowerDin 3(F) 插頭 DIP			SHEET	2
CHK'D	Emily Suen			SCALE	1:1	.x ±0.20 .xx ±0.10 .xxx ±0.05 .xxxx ±0.03 ANGULA ±1°		PART NO.	SEE TABLE A	DWG NO.	QC0358	VERSION	B