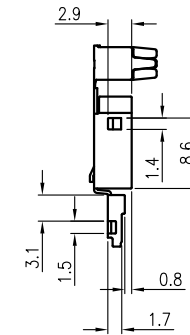
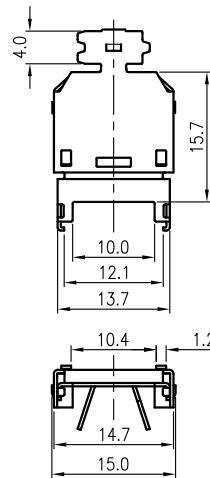
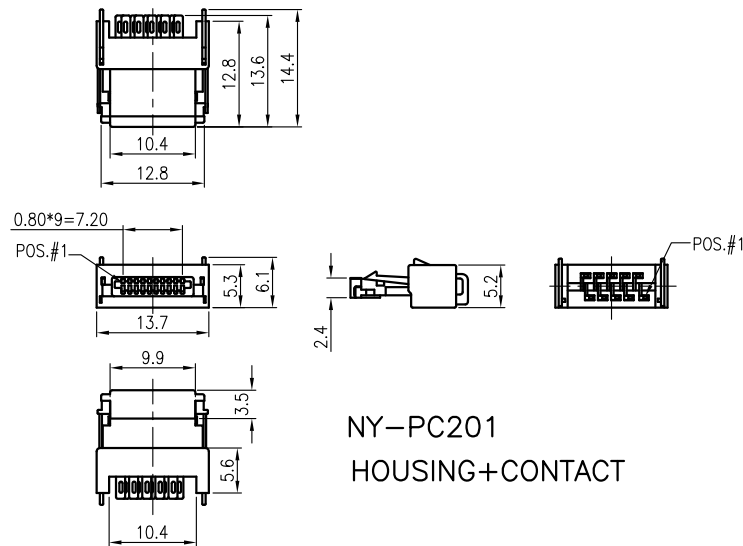
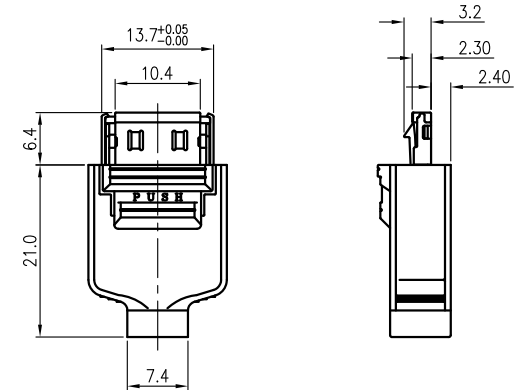
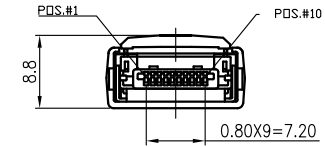
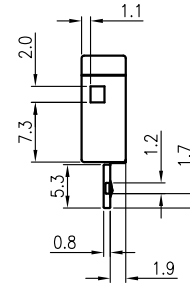
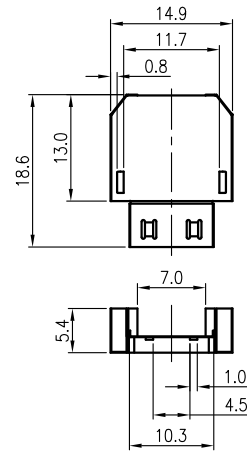
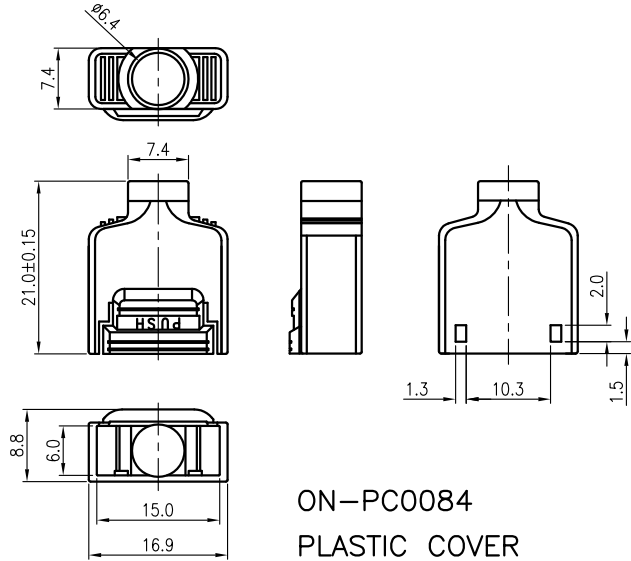


This document is the property of Nian-Yeong Corporation and is delivered on the express condition that it is not to be disclosed, reproduced or used, in whole or in part, for manufacture or sale by anyone other than Nian-Yeong Corporation without its prior consent, and that no right is granted to disclose or to use any information in this document.

CUSTOMER DRAWING

REV.	DESCRIPTION	APPVL. BY	DATE	ECN NO.
A	RELEASE	Fido Weng	02/03/10"	
B				
C				



NOTE:

- MATERIAL:**
 - 1-1.PLASTIC COVER: C1200(ABS+PC)94-V0
 - 1-2.HOUSING: PBT+30GF(BLACK)
 - 1-3.METAL UP COVER: NICKEL SILVER
 - 1-4.METAL DOWN COVER: BRASS
 - 1-5.CONTACT: PHOSPHOR BRONZE
 - 1-6.SPRING: STAINLESS SUS#301
- FINISH:**
 - 2-1.CONTACT:CONTACT AREA PLATED GOLD 5u", SOLDER AREA PLATED BRIGHT TIN, UNDER PLATED NICKEL OVER ALL.
 - 2-2.METAL DOWN COVER:NICKEL 60u"

DRAWN	Lily Qin	APP'D	Fido Weng	UNIT	mm	TOLERANCE			TITLE	PCMCIA 10PIN 公座成品			SHEET	1
CHK'D	Emily Suen			SCALE	1:1	.x ±0.20 .xx ±0.10 .xxx ±0.05 .xxxx ±0.03 ANGULA ±1°			PART NO.	PC-10M2-02	DWG NO.	QC1075	VERSION	A

NIAN YEONG ENTERPRISE
年永實業有限公司