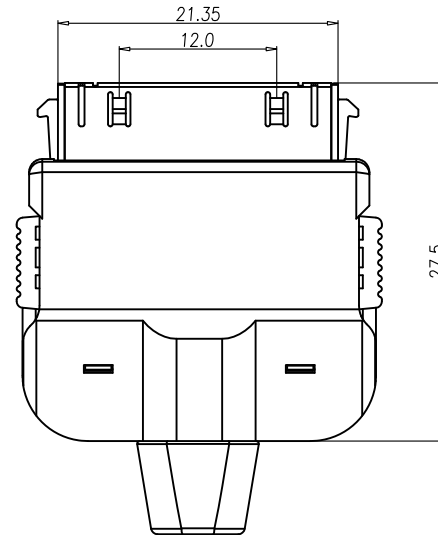
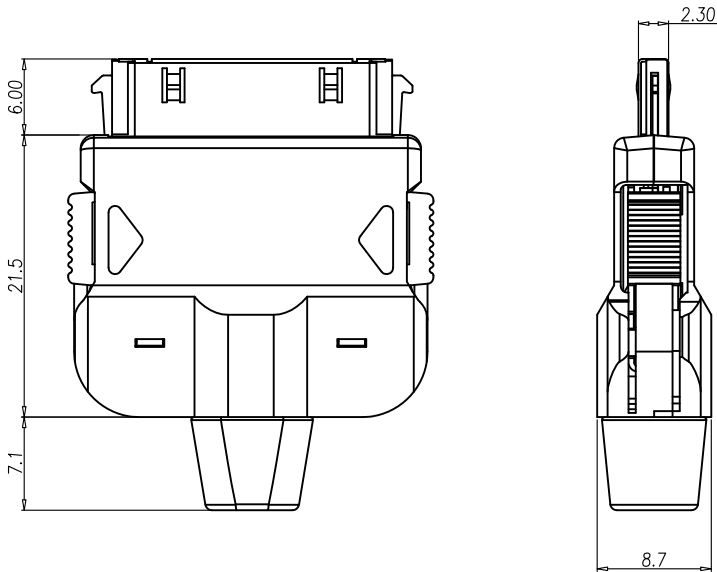
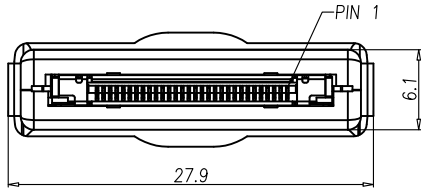


This document is the property of Nian-Yeong Corporation and is delivered on the express condition that it is not to be disclosed, reproduced or used, in whole or in part, for manufacture or sale by anyone other than Nian-Yeong Corporation without its prior consent, and that no right is granted to disclose or to use any information in this document.

CUSTOMER DRAWING

REV.	DESCRIPTION	APPROVED BY	DATE	ECN NO.
A	ADD NEW PART NO.	Fido Weng	10/12/07'	
B	CHANGE VIEW	Fido Weng	27/05/08'	
C	ADD NEW PART NO.	Fido Weng	03/03/09'	ECN09022



NOTE:

1.MATERIAL:

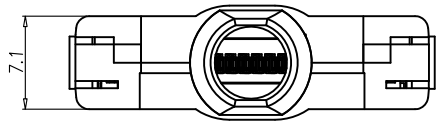
- 1-1.CONTACT:PHOSPHOR BRONZE.
- 1-2.METAL UPPER-CAP: STAINLESS STEEL.
- 1-3.METAL LOWER-CAP: STAINLESS STEEL.
- 1-4.CABLE FIXED: BRASS.
- 1-5.HOUSING: NYLON 46.
- 1-6.PLASTIC UPPER CAP: COLOR SEE TABLE A
- 1-7.PLASTIC LOWER-CAP: COLOR SEE TABLE A
- 1-8.SR: PVC.

2.PLATING:

- 2-1.CONTACT: SEE TABLE A
- 2-2.CABLE FIXED: TIN 50u".
- 2-3.METAL DOWN-CAP: NICKEL 60u".

TABLE A

P/N	HOUSING COLOR	SOLDER PLATING	CONTACT PLATING	CAP COLOR
PC-30M2-15	NATURE WHITE	BRIGHT TIN 60u"	GOLD 5u"	NATURE WHITE
PC-30M2-14	NATURE BLACK	BRIGHT TIN 60u"	GOLD 5u"	NATURE BLACK
PC-30M2-10	NATURE BLACK	GOLD FLASH	GOLD 5u"	NATURE BLACK
PC-30M2-08	NATURE WHITE	GOLD FLASH	GOLD 5u"	NATURE WHITE
PC-30M2-07	NATURE BLACK	GOLD FLASH	GOLD 5u"	NATURE BLACK



DRAWN	Jen Xie	APP'D	Fido Weng	UNIT	mm	TOLERANCE		TITLE	SEE TABLE A			SHEET
	CHK'D			Emily Suen	SCALE	1:1		.x ±0.20 .xx ±0.10 .xxx ±0.05 .xxxx ±0.03 ANGULA ±1°	PART NO.	SEE TABLE A	DWG NO.	QC2560

NIAN YEONG ENTERPRISE
年永實業有限公司