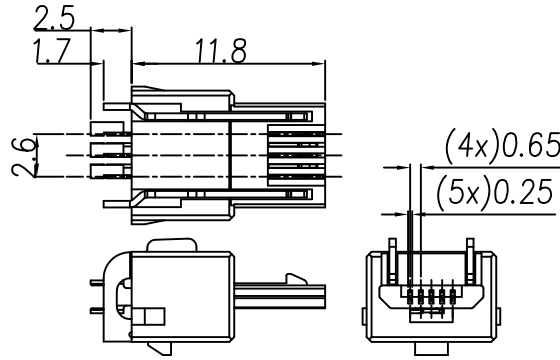
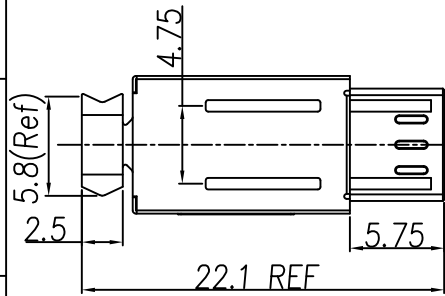


This document is the property of Nian-Yeong Corporation and is delivered on the express condition that it is not to be disclosed, reproduced or used, in whole or in part, for manufacture or sale by anyone other than Nian-Yeong Corporation without its prior consent, and that no right is granted to disclose or to use any information in this document.

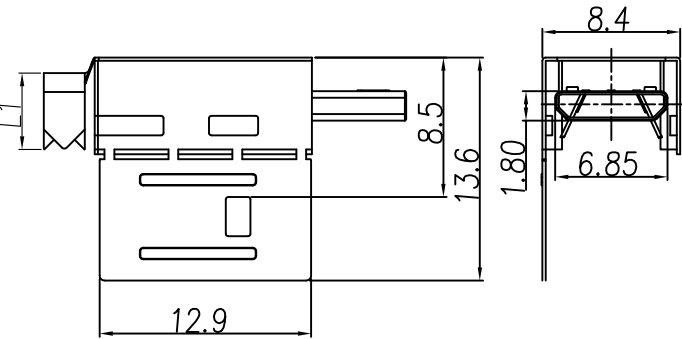
CUSTOMER DRAWING

| REV. | DESCRIPTION | APPROVED BY | DATE | ECN NO. |
|------|-------------|-------------|-----------|----------|
| △ | RELEASE | Fido Weng | 17/02/09* | |
| △ | RELEASE | Fido Weng | 14/05/09* | ECN09084 |
| △ | | | | |



HOUSING+PIN+LATCH

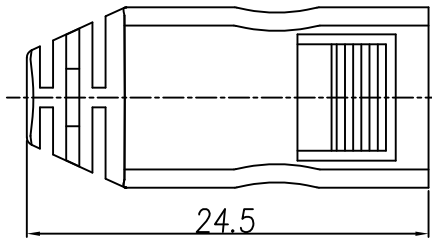
1. MATERIAL :
 - 1-1. HOUSING : NYLON ; COLOR : SEE TABLE A
 - 1-2. COVER : NYLON ; COLOR : BLACK.
 - 1-3. CONTACT : PHOSPHOR BRONZE.
 - 1-4. SHELL : STAINLESS STEEL
 - 1-5. LATCH : STAINLESS STEEL
2. FINISH :
 - 2-1. CONTACT : SEE TABLE A MIN ON CONTACT AREA, TIN 100u" MIN ON SOLDER TAILS, UNDERPLATED NICKEL OVER ALL
 - 2-2. SHELL : SEE TABLE A



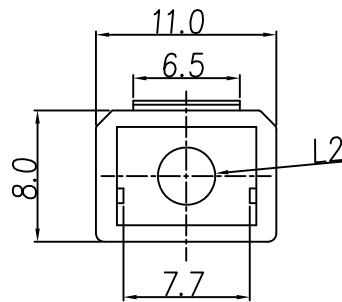
SHELL

TABLE A

| P/N | DESCRIPTION | HOUSING | L1 | L2 |
|------------|---|---------|-------|------|
| MU-05M4-14 | PIN : GOLD 15u" MIN ON CONTACT AREA, BRIGHT TIN 100u" MIN ON SOLDER TAILS, UNDERPLATED NICKEL OVER ALL SHELL : OFF WITH GREASINESS | BLACK | 6.6mm | ø4.7 |
| MU-05M4-10 | PIN : GOLD 30u" MIN ON CONTACT AREA, BRIGHT TIN 100u" MIN ON SOLDER TAILS, UNDERPLATED NICKEL OVER ALL SHELL : OFF WITH GREASINESS | BLACK | 4.6mm | ø3.5 |
| MU-05M4-09 | PIN : GOLD 15u" MIN ON CONTACT AREA, BRIGHT TIN 100u" MIN ON SOLDER TAILS, UNDERPLATED NICKEL OVER ALL SHELL : GOLD FLASH | BLACK | 4.6mm | ø3.5 |
| MU-05M4-08 | PIN : GOLD 15u" MIN ON CONTACT AREA, BRIGHT TIN 100u" MIN ON SOLDER TAILS, UNDERPLATED NICKEL OVER ALL SHELL : OFF WITH GREASINESS | WHITE | 4.6mm | ø3.5 |
| MU-05M4-06 | PIN : GOLD 15u" MIN ON CONTACT AREA, BRIGHT TIN 100u" MIN ON SOLDER TAILS, UNDERPLATED NICKEL OVER ALL SHELL : OFF WITH GREASINESS | BLACK | 4.6mm | ø3.5 |



COVER



| | | | | | | | |
|--------|------------|--------|------------|--|----|-----------|--|
| DRAWN | Jen Xie | APPEND | Emily Suen | UNIT | mm | TOLERANCE | |
| CHOKED | Emily Suen | SCALE | 1:1 | .x ±0.20 .xx ±0.10 .xxx ±0.05 .xxxx ±0.03 ANGULA ±1° | | | |

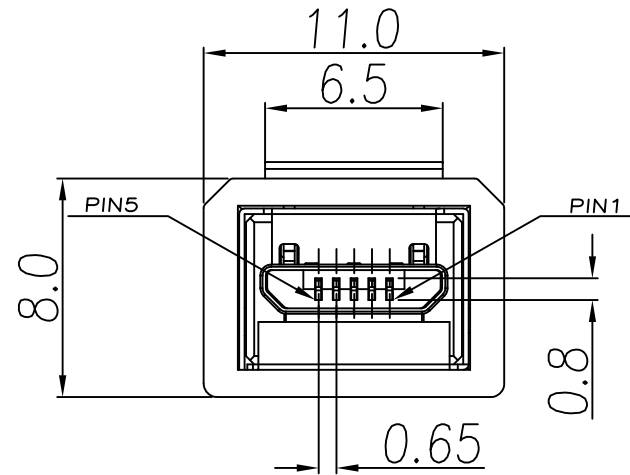
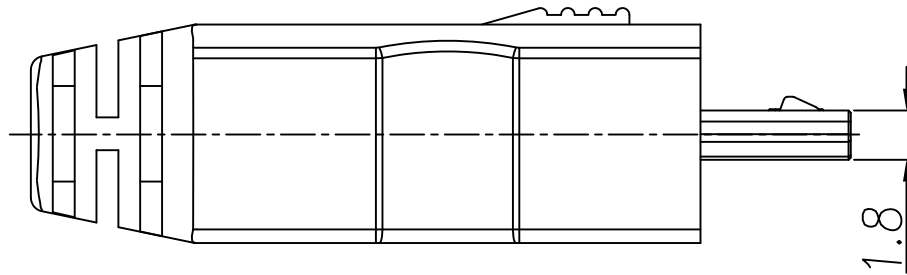
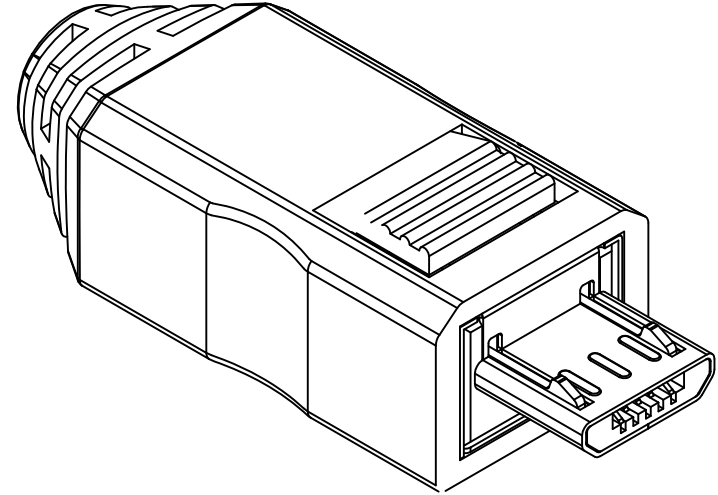
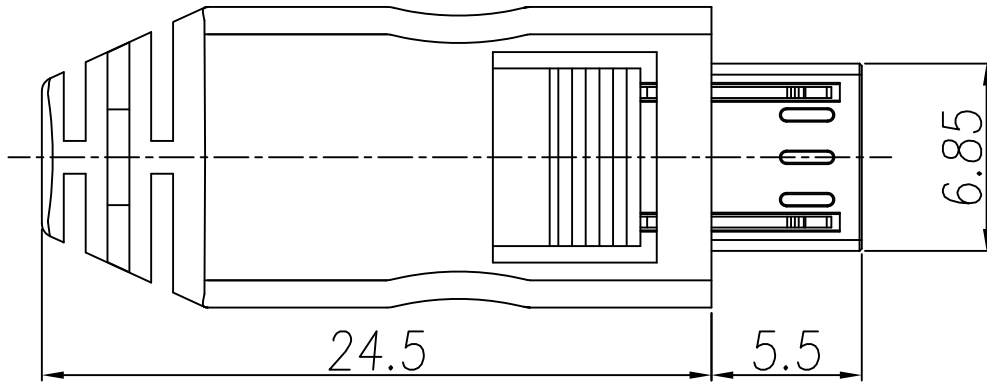


| | | | | | |
|----------|--------------------------|---------|--------|---------|-----|
| TITLE | MICRO USB 5PIN(M) B TYPE | | | SHEET | 1/2 |
| PART NO. | TABLE A | DWG NO. | QC2549 | VERSION | J |

This document is the property of Nian-Yeong Corporation and is delivered on the express condition that it is not to be disclosed, reproduced or used, in whole or in part, for manufacture or sale by anyone other than Nian-Yeong Corporation without its prior consent, and that no right is granted to disclose or to use any information in this document.

CUSTOMER DRAWING
ASSEMBLY DRAWING

| REV. | DESCRIPTION | APPROVED BY | DATE | ECN NO. |
|------|-------------|-------------|-----------|----------|
| △ | RELEASE | Fido Weng | 17/02/09* | |
| △ | RELEASE | Fido Weng | 14/05/09* | ECN09084 |
| △ | | | | |



| | | | | | | | | | | | | | |
|--------|------------|--------|------------|-------|-----|--|--|----------|--------------------------|---------|--------|---------|---|
| DRAWN | Jen Xie | APPEND | Emily Suen | UNIT | mm | TOLERANCE |    | TITLE | MICRO USB 5PIN(M) B TYPE | | | SHEET | 2 |
| CHOKED | Emily Suen | | | SCALE | 1:1 | .x ±0.20 .xx ±0.10 .xxx ±0.05 .xxxx ±0.03 ANGULA ±1° | | PART NO. | TABLE A | DWG NO. | QC2549 | VERSION | J |

NIAN YEONG ENTERPRISE
年永實業有限公司