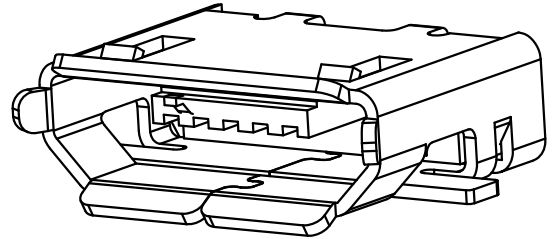
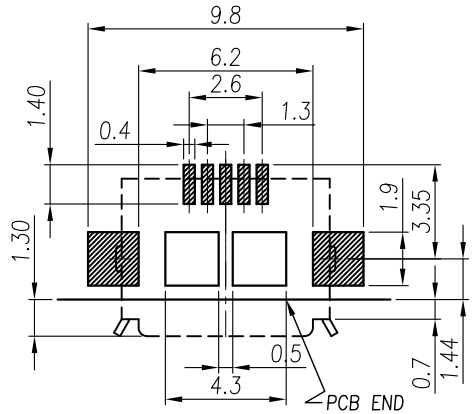
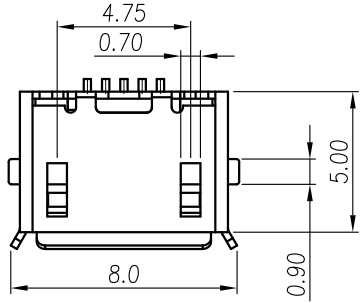


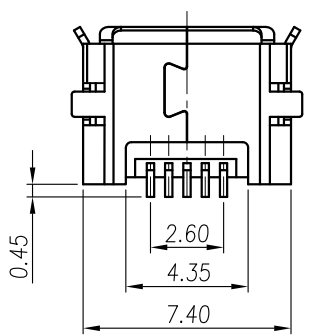
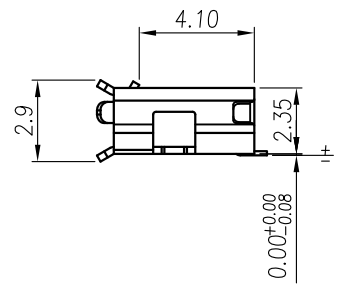
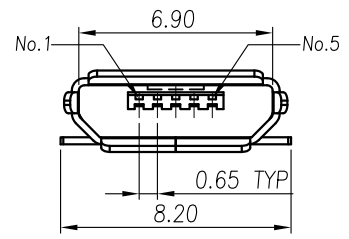
This document is the property of Nian-Yeong Corporation and is delivered on the express condition that it is not to be disclosed, reproduced or used, in whole or in part, for manufacture or sale by anyone other than Nian-Yeong Corporation without its prior consent, and that no right is granted to disclose or to use any information in this document.

CUSTOMER DRAWING

REV.	DESCRIPTION	APPROVED BY	DATE	ECN NO.
△J	ADD NEW PART NO.	Fido Weng	19/03/09*	
△K	ADD NEW PART NO.	Fido Weng	22/04/09*	
△L	MODIFY DIM.	Fido Weng	22/04/09*	ECN11010



RECOMMEND P.C.B LAYOUT



NOTE:
 1. MATERIAL:
 1-1. PIN : PHOSPHOR BRONZE
 1-2. HOUSING : LCP UL94V-0 ; COLOR : BLACK
 1-3. SHELL : STAINLESS STEEL
 2. FINISH :
 2-1. PIN : SEE TABLE A
 2-2. SHELL : SEE TABLE A

TABLE A

P/N	DESCRIPTION
MU-05F4-52	PIN : GOLD 10u" MIN ON CONTACT AREA, SHELL : GOLD FLASH OVER ALL.
MU-05F4-23	PIN : GOLD 10u" MIN ON CONTACT AREA, SHELL : NICKEL PLATED 60u" MIN OVER ALL.
MU-05F4-27	PIN : GOLD 15u" MIN ON CONTACT AREA, SHELL : MATTED TIN 60u" MIN OVER ALL.
MU-05F4-14	PIN : GOLD 10u" MIN ON CONTACT AREA, SHELL : MATTED TIN 60u" MIN OVER ALL.
MU-05F4-29	PIN : GOLD 15u" MIN ON CONTACT AREA, SHELL : NICKEL PLATED 60u" MIN OVER ALL.
MU-05F4-51	PIN : GOLD 30u" MIN ON CONTACT AREA, SHELL : MATTED TIN 60u" MIN OVER ALL.

DRAWN	Jen Xie	APP'D	Emily Suen	UNIT	mm	TOLERANCE			TITLE	MICRO USB 5P(F) B TYPE			SHEET	1/2
CHK'D	Emily Suen	SCALE	1:1	.x ±0.20 .xx ±0.10 .xxx ±0.05 .xxxx ±0.03 ANGULA ±1°	PART NO.	SEE TABLE A			DWG NO.	QC2407	VERSION	L		

This document is the property of Nian-Yeong Corporation and is delivered on the express condition that it is not to be disclosed, reproduced or used, in whole or in part, for manufacture or sale by anyone other than Nian-Yeong Corporation without its prior consent, and that no right is granted to disclose or to use any information in this document.

CUSTOMER DRAWING

REV.	DESCRIPTION	APPROVED BY	DATE	ECN NO.
△	CHANGE DIM	Fido Weng	12/12/08*	ECN08022
△	ADD NEW PART NO.	Fido Weng	19/03/09*	
△	ADD NEW PART NO.	Fido Weng	22/04/09*	ECN11010

步驟一:

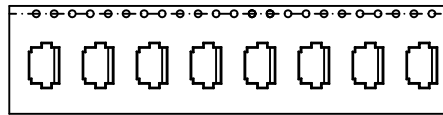
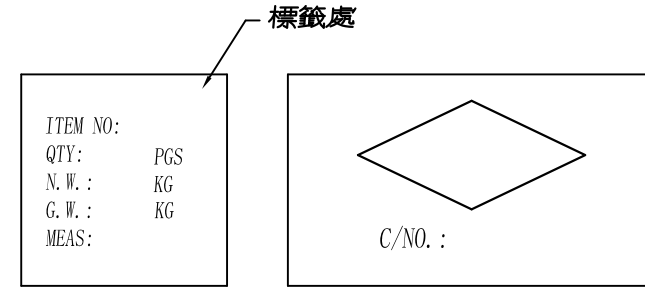
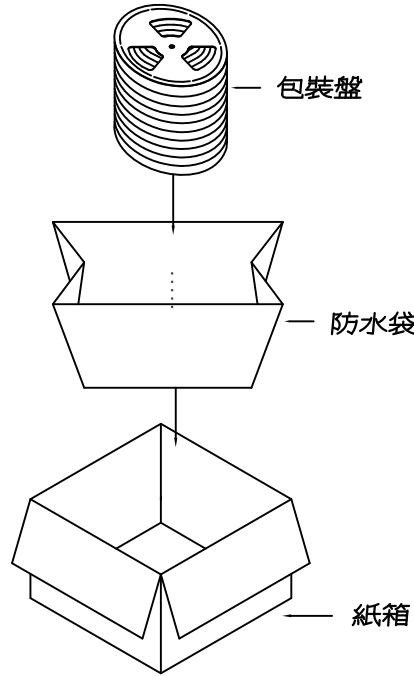
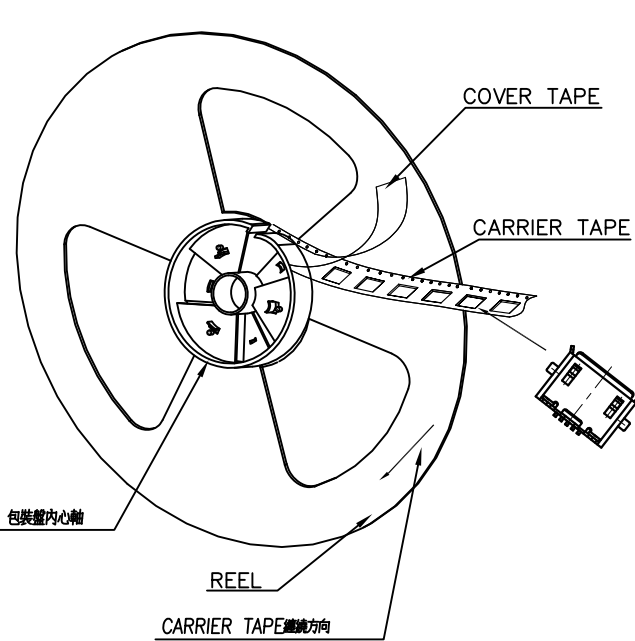
1. 將成品一一放入包裝盤內, 依同一方向置入.
2. 包裝方式, 如圖所示.
3. 一個包裝盤內放 1500 pcs.

步驟二:

1. 一個紙箱可以裝 10 個包裝盤.
2. 每盤 1500 pcs, 每箱 15000 pcs.
3. 將包裝盤放入防水袋中, 包裝完後再封箱.

步驟三:

1. 用膠帶將紙箱封實.
2. 將標籤貼於紙箱上.



NOTE:

1. 若有未裝滿之零數箱, 必須以緩衝材塞滿.
2. 在搬運過程中要輕拿輕放.
3. 載運輸中不可堆放過多, 不可有重壓現象.
4. 在裝滿產品後, 必須空留帶前和帶後 15 格以上, 然後用紙膠布貼上.
5. 上帶在貼下帶時必須平整, 且黏貼處不要出現氣泡.

DRAWN	Jen Xie	APP'D	Emily Suen	UNIT	mm	TOLERANCE	.x ±0.20 .xx ±0.10 .xxx ±0.05 .xxxx ±0.03 ANGULA ±1°	TITLE	MIRCO USB 5PIN (F) 包裝規範		SHEET	2/2	
CHK'D	Emily Suen	SCALE	1:1	SCALE	1:1	ANGULA	±1°	PART NO.	PK-1-MU-05F4-14	DWG NO.		VERSION	K
 NIAN YEONG ENTERPRISE 年永實業有限公司													