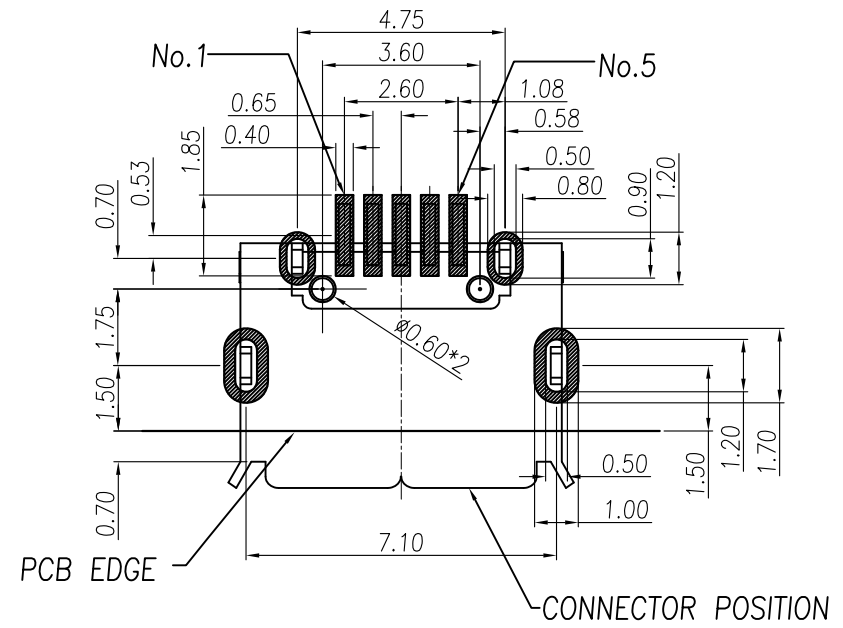
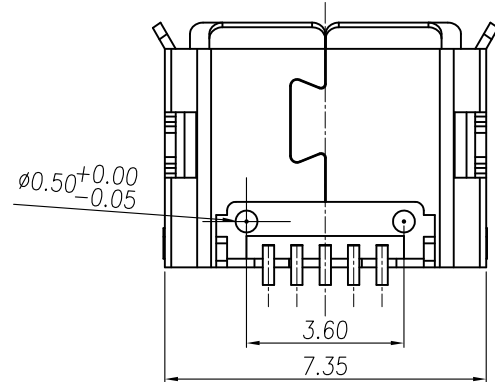
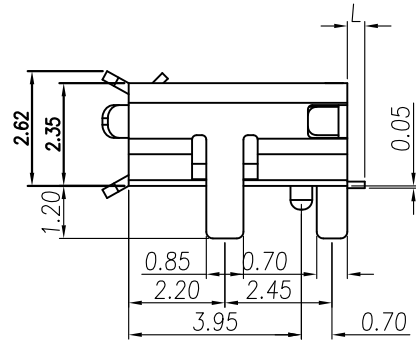
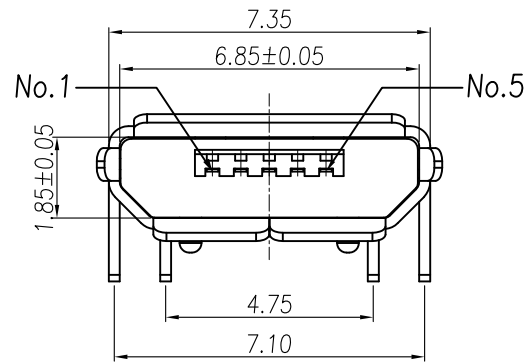
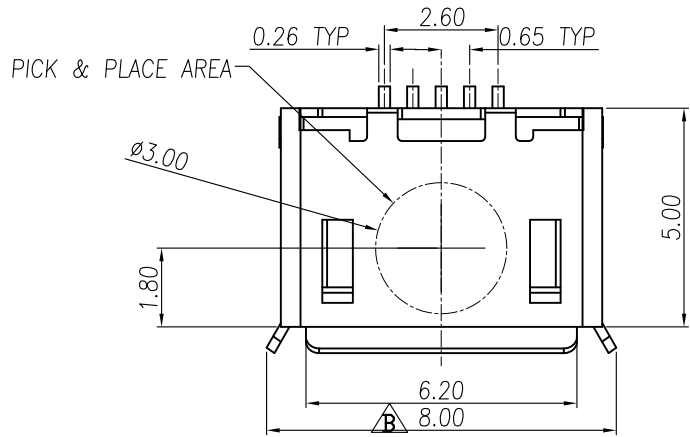


This document is the property of Nian-Yeong Corporation and is delivered on the express condition that it is not to be disclosed, reproduced or used, in whole or in part, for manufacture or sale by anyone other than Nian-Yeong Corporation without its prior consent, and that no right is granted to disclose or to use any information in this document.

CUSTOMER DRAWING

REV.	DESCRIPTION	APPROVED BY	DATE	ECN NO.
A	RELEASE	Fido Weng	22/12/08*	ECN10097
B	MODIFY DIM	Fido Weng	20/01/11*	ECN11010
C				



RECOMMEND P.C.B LAYOUT

- MATERIAL :
 - 1-1. HOUSING : LCP UL94V-0 ; COLOR : BLACK
 - 1-2. CONTACT : PHOSPHOR BRONZE
 - 1-3. SHELL : STAINLESS STEEL
- FINISH :
 - 2-1. CONTACT : GOLD 10u" ON CONTACT AREA
UNDER PLATE : NICKEL
 - 2-2. SHELL : SEE TABLE A

P/N	SHELL PLATING	CONTACT PLATING	L
MU-05F4-44	GOLD FLASH	GOLD 10u"	0.4
MU-05F4-63	MATTE TIN	GOLD 10u"	0.4
MU-05F4-75	MATTE TIN	GOLD 10u"	0.9
MU-05F4-77	MATTE TIN	GOLD 30u"	0.4

DRAWN	Jen Xie	APPEND	Emily Suen	UNIT	mm	TOLERANCE			NIAN YEONG ENTERPRISE 年永實業有限公司	TITLE	MICRO USB 5PIN (F) B TYPE 雙DIP			SHEET	1/2
CHOKED	Emily Suen	SCALE	1:1	ANGULAR	±1°	PART NO.				SEE TABLE A	DWG NO.	QC3274	VERSION	B	

This document is the property of Nian-Yeong Corporation and is delivered on the express condition that it is not to be disclosed, reproduced or used, in whole or in part, for manufacture or sale by anyone other than Nian-Yeong Corporation without its prior consent, and that no right is granted to disclose or to use any information in this document.

CUSTOMER DRAWING

REV.	DESCRIPTION	APPROVED BY	DATE	ECN NO.
A	RELEASE	Fido Weng	22/12/08*	
B	MODIFY DIM	Fido Weng	20/01/11*	ECN11010
C				

步驟一:

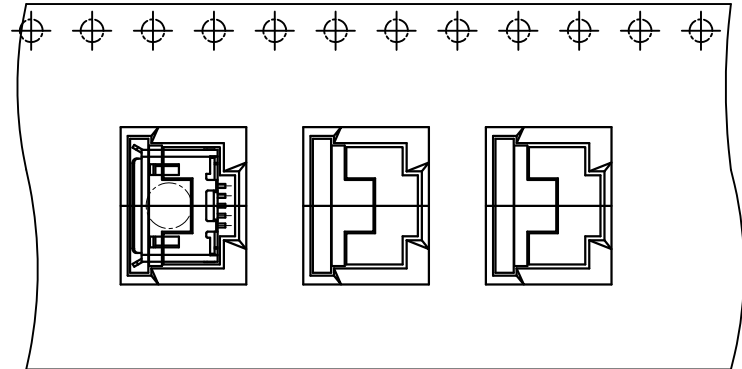
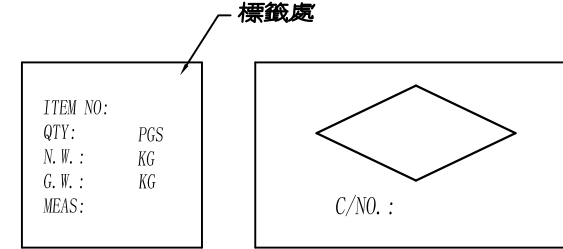
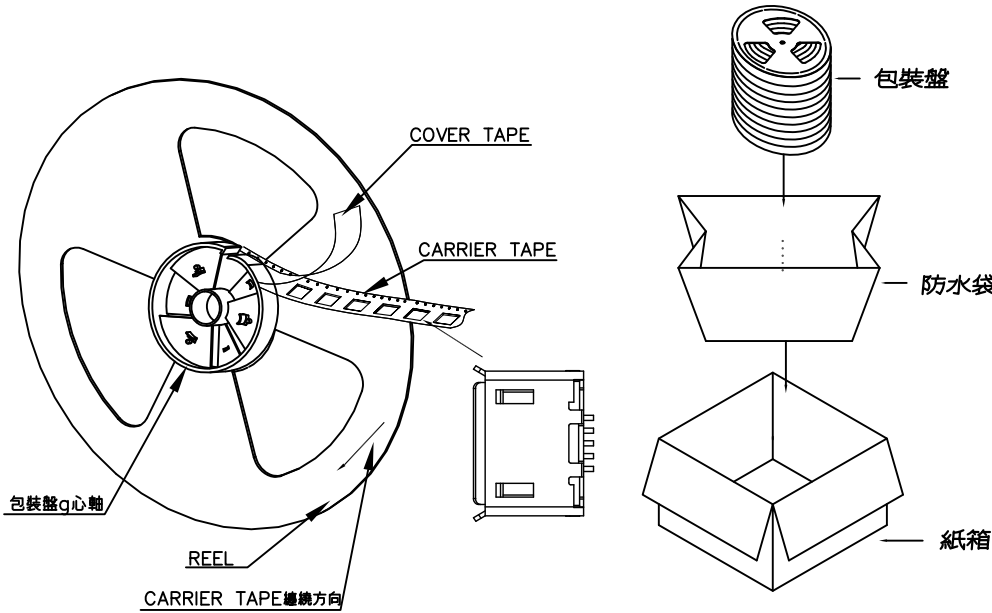
1. 將成品一一放入包裝盤內,依同一方向置入.
2. 包裝方式,如圖所示.
3. 一個包裝盤內1300pcs.

步驟二:

1. 一個紙箱可以裝10個包裝盤.
2. 每盤1300pcs,每箱13000pcs.
3. 將包裝盤放入防水袋中,包裝完後再封箱.

步驟三:

1. 用膠帶將紙箱封實.
2. 將標籤貼於紙箱上.



NOTE:

1. 若有未裝滿之零數箱,必須以緩衝材塞滿.
2. 在搬運過程中要輕拿輕放.
3. 載運輸中不可堆放過多,不可有重壓現象.
4. 在裝滿產品後,必須空留帶前和帶後15格以上,然後用紙膠布貼上.
5. 上帶在貼下帶時必須平整,且黏貼處不要出現氣泡.

P/N	SHELL PLATING	CONTACT PLATING	L
MU-05F4-44	GOLD FLASH	GOLD 10u"	0.4
MU-05F4-63	MATTE TIN	GOLD 10u"	0.4
MU-05F4-75	MATTE TIN	GOLD 10u"	0.9
MU-05F4-77	MATTE TIN	GOLD 30u"	0.4

DRAWN	Jen Xie	APP'D	Emily Suen	UNIT	mm	TOLERANCE	.x ±0.20 .xx ±0.10 .xxx ±0.05 .xxxx ±0.03 ANGULA ±1°	TITLE	MICRO USB 5PIN (F) B TYPE 雙DIP	SHEET	2/2
CHK'D	Emily Suen			SCALE	1:1			PART NO.	SEE TABLE A	DWG NO.	QC3274
 NIAN YEONG ENTERPRISE 年永實業有限公司										VERSION	B