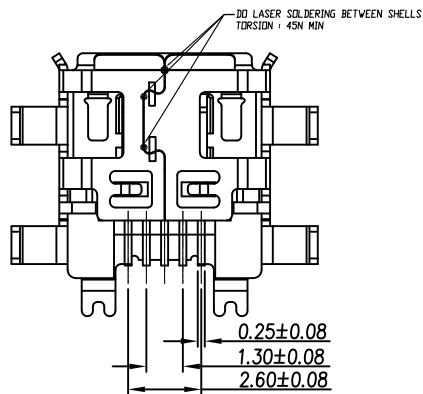
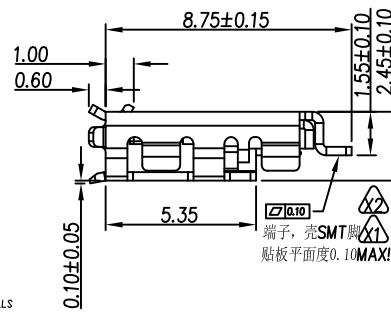
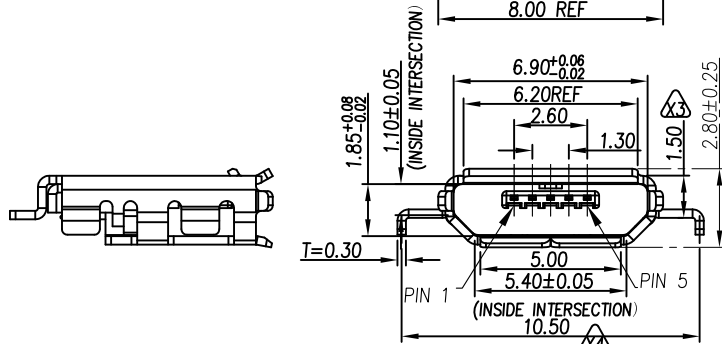
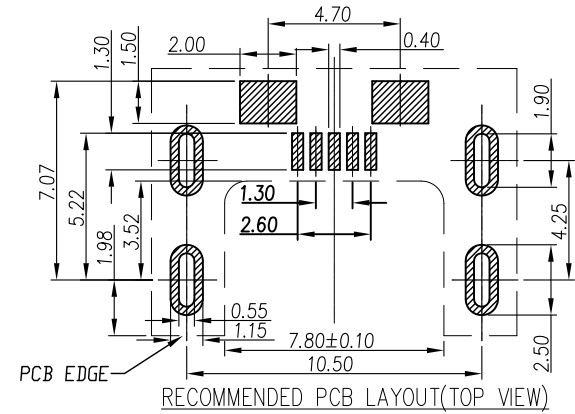
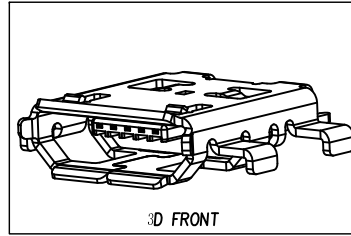
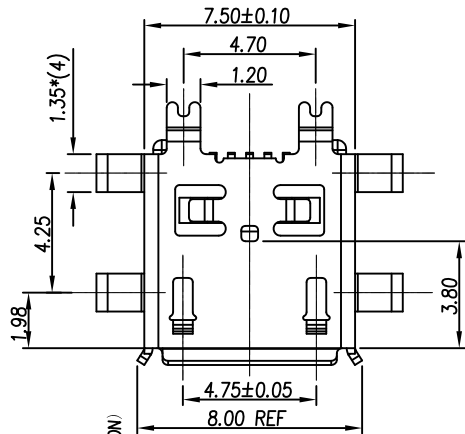


This document is the property of Nian-Yeong Corporation and is delivered on the express condition that it is not to be disclosed, reproduced or used, in whole or in part, for manufacture or sale by anyone other than Nian-Yeong Corporation without its prior consent, and that no right is granted to disclose or to use any information in this document.

CUSTOMER DRAWING

REV.	DESCRIPTION	APPROVED BY	DATE	ECN NO.
A	RELEASE	Fido Weng	16/11/10*	
B				
C				



NOTES:

- MECHANICAL : GENERAL TOLERANCES : ± 0.05
MATING FORCE : 35N MAX.
UNMATING FORCE : 10N MIN, INITIAL.
8~20N AFTER 10000 CYCLES.
DURABILITY : 10000 CYCLES MIN.
- ELECTRICAL :
CURRENT(ELECTRICITY) : 1.8A FOR PIN1 and PIN5, 0.5A MIN. FOR PIN 2,3,4
CURRENT(SIGNAL) : 1A FOR PIN2,3,4
VOLTAGE : 30V MAX
WITHSTANDING VOLTAGE : 100V AC
CONTACT RESISTANCE : 30 m Ω MAX INITIAL;
40 m Ω MAX AFTER 10000 CYCLES
- ENVIRONMENTAL
OPERATING TEMPERATURE RANGE $-30^{\circ}\text{C} \sim +80^{\circ}\text{C}$
- SALT SPRAY : 8 H AT 35 %DC WITH
5%-SALT-SOLUTION CONCENTRATION.
- MATERIAL :
5.1 HOUSING : LCP UL94V-0 ; COLOR : BLACK
5.2 CONTACT : BRASS
5.3 SHELL : STAINLESS STEEL 304
- FINISH :
6.1 CONTACT AREA : GOLD 30u" PLATED
6.2 SHELL : MATTE TIN PLATED OVER ALL

DRAWN	Jen Xie	APP'D	Fido Weng	UNIT	mm	TOLERANCE	.x ± 0.20 .xx ± 0.10 .xxx ± 0.05 .xxxx ± 0.03 ANGULA $\pm 1^{\circ}$	TITLE	MICRO USB 5PIN(F) 沉板式(雷牌)			SHEET	1/1
CHK'D	Emly Suen	SCALE	1:1	FIGURE		ANGULAR		PART NO.	MU-05F4-79	DWG NO.	QC6162	VERSION	A
NIAN YEONG ENTERPRISE 年永實業有限公司													