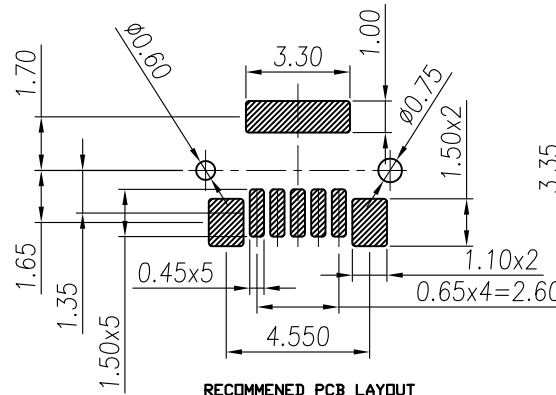
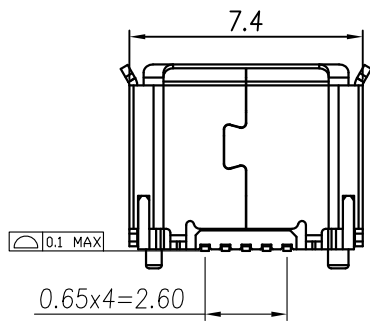
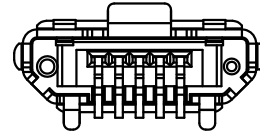
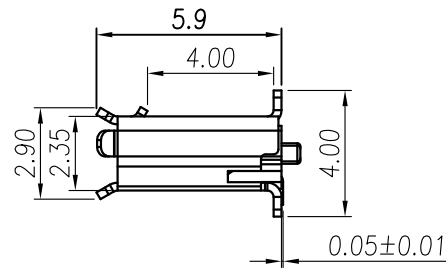
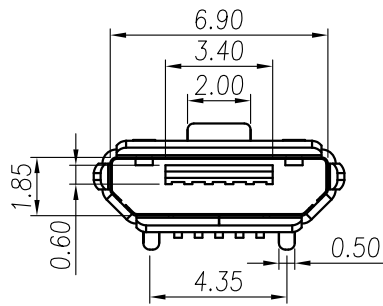
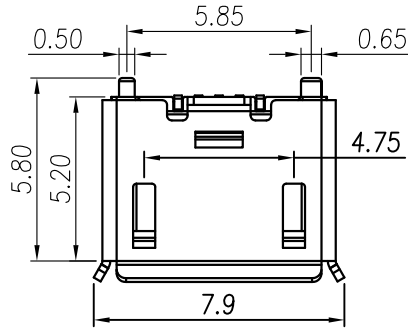


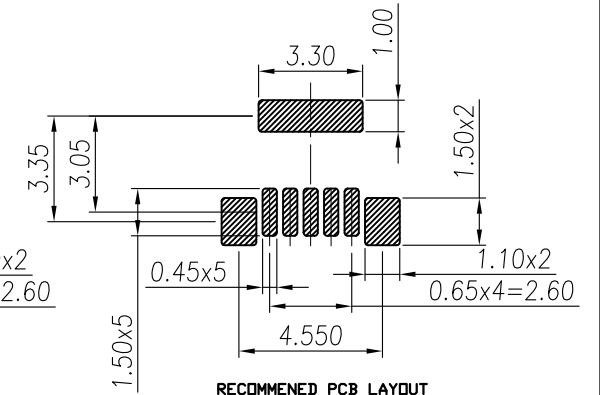
This document is the property of Nian-Yeong Corporation and is delivered on the express condition that it is not to be disclosed, reproduced or used, in whole or in part, for manufacture or sale by anyone other than Nian-Yeong Corporation without its prior consent, and that no right is granted to disclose or to use any information in this document.

CUSTOMER DRAWING

REV.	DESCRIPTION	APPROVED BY	DATE	ECN NO.
A	RELEASE	Emily Suen	2011/10/12	
B				
C				



RECOMMENDED PCB LAYOUT
(TOP VIEW)
MU-05F4-71
MU-05F4-64

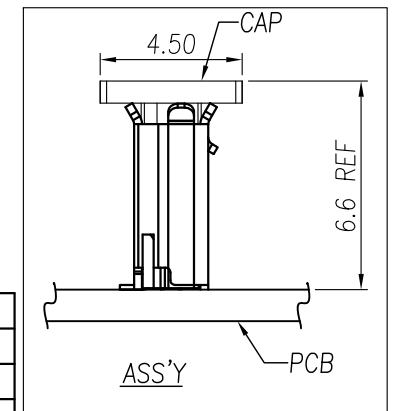


RECOMMENDED PCB LAYOUT
(TOP VIEW)
MU-05F4-76

- MATERIAL :
 - HOUSING : LCP UL94V-0 ; COLOR : BLACK
 - CONTACT : PHOSPHOR BRONZE
 - SHELL : STAINLESS STEEL
 - CAP : LCP UL94V-0 ; COLOR : BLACK
- FINISH :
 - CONTACT : CONTACT AREA : SEE TABLE A
GOLD FLASH ON OTHER AREA
UNDERPLATED : SEE TABLE A
 - SHELL : MATTE TIN PLATED

TABLE A

P/N	定位柱	CONTACT AREA FINISH	UNDERPLATED
MU-05F4-76	無定位柱	GOLD 10u" MIN	NICKEL 50u" MIN.
MU-05F4-71	有定位柱	GOLD 50u" MIN	NICKEL 200u" MIN.
MU-05F4-64	有定位柱	GOLD 10u" MIN	NICKEL 50u" MIN.



DRAWN	Yeh Chou	APPEND	Emily Suen	UNIT	mm	TOLERANCE				TITLE	MICRO USB 5PIN(F) 直立式 SMT			SHEET
CHOKED	Emily Suen			SCALE	1:1	.x ±0.20 .xx ±0.10 .xxx ±0.05 .xxxx ±0.03 ANGULA ±1°				PART NO.	SEE TABLE A	DWG NO.	QC5130	1/2
									NIAN YEONG ENTERPRISE 年永實業有限公司				VERSION A	

This document is the property of Nian-Yeong Corporation and is delivered on the express condition that it is not to be disclosed, reproduced or used, in whole or in part, for manufacture or sale by anyone other than Nian-Yeong Corporation without its prior consent, and that no right is granted to disclose or to use any information in this document.

CUSTOMER DRAWING

REV.	DESCRIPTION	APPROVED BY	DATE	ECN NO.
A	RELEASE	Fido Weng	15/10/09*	
B	變更料帶寬度	Fido Weng	06/06/16*	
C				

步驟一:

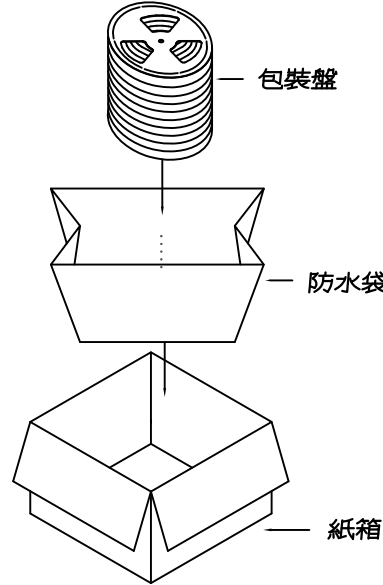
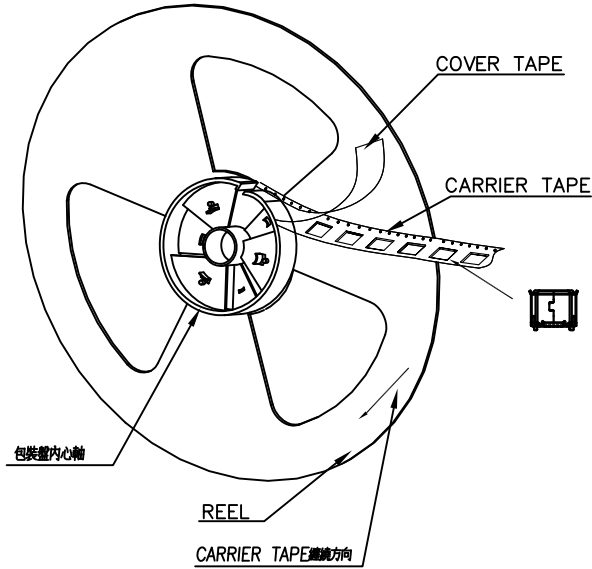
1. 將成品一一放入包裝盤內, 依同一方向置入。
2. 包裝方式, 如圖所示。
3. 一個包裝盤內放 1100 pcs.

步驟二:

1. 一個紙箱可以裝 10 個包裝盤。
2. 每盤 1100 pcs, 每箱 11 k pcs.
3. 將包裝盤放入防水袋中, 包裝完後再封箱。

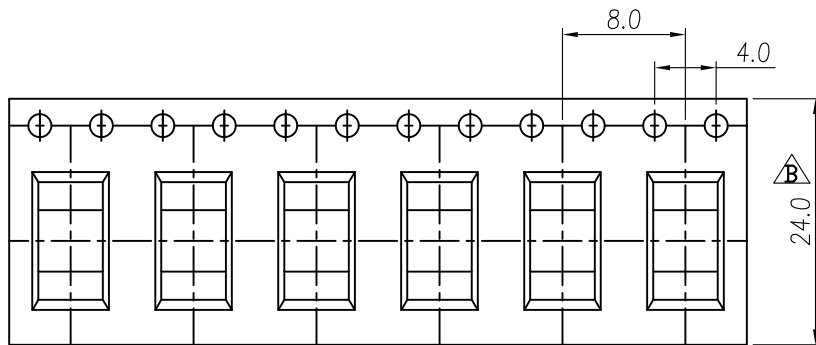
步驟三:

1. 用膠帶將紙箱封實。
2. 將標籤貼於紙箱上。



ITEM NO:
 QTY: PGS
 N. W. : KG
 G. W. : KG
 MEAS:

標籤處



NOTE:

1. 若有未裝滿之零數箱, 必須以緩衝材塞滿。
2. 在搬運過程中要輕拿輕放。
3. 載運輸中不可堆放過多, 不可有重壓現象。
4. 在裝滿產品後, 必須空留帶前和帶後 15 格以上, 然後用紙膠布貼上。
5. 上帶在貼下帶時必須平整, 且黏貼處不要出現氣泡。

DRAWN	Yeh Chou	APPEND	Emily Suen	UNIT	mm	TOLERANCE		TITLE	MICRO USB 5PIN(F) 直立式 SMT			SHEET	2/2
CHOKED	Emily Suen			SCALE	1:1	.x ±0.20 .xx ±0.10 .xxx ±0.05 .xxxx ±0.03 ANGULA ±1°			PART NO.	SEE TABLE A	DWG NO.	QC5130	VERSION

NIAN YEONG ENTERPRISE
 年永實業有限公司