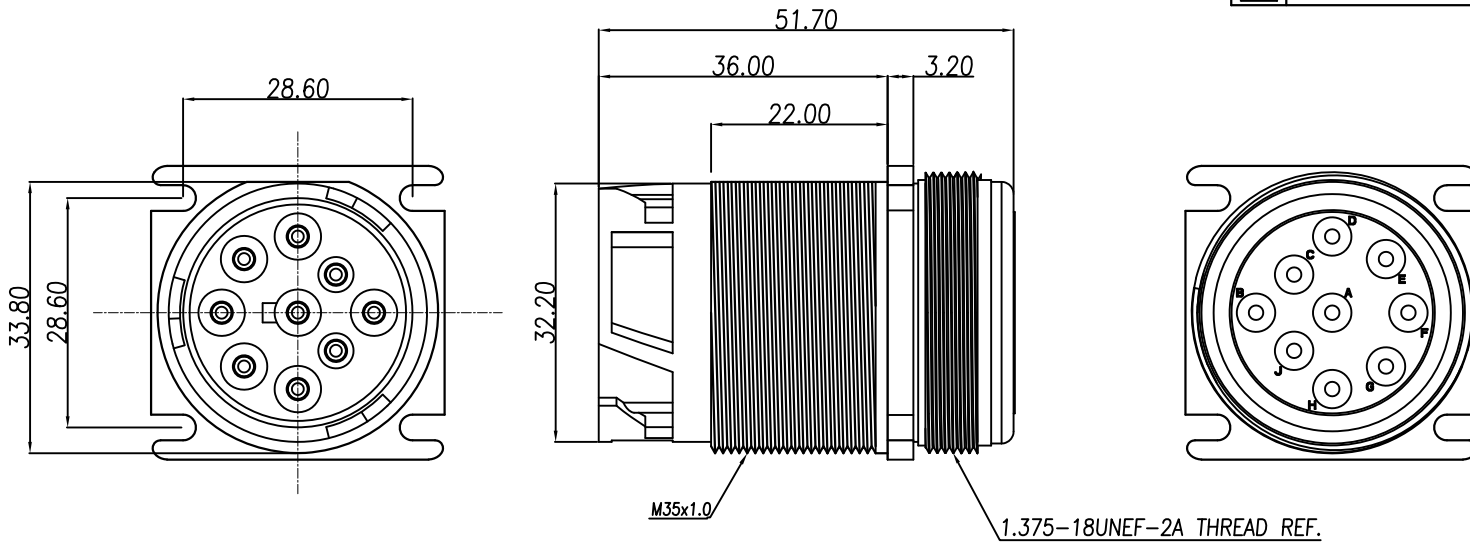


This document is the property of Nian-Yeong Corporation and is delivered on the express condition that it is not to be disclosed, reproduced or used, in whole or in part, for manufacture or sale by anyone other than Nian-Yeong Corporation without its prior consent, and that no right is granted to disclose or to use any information in this document.

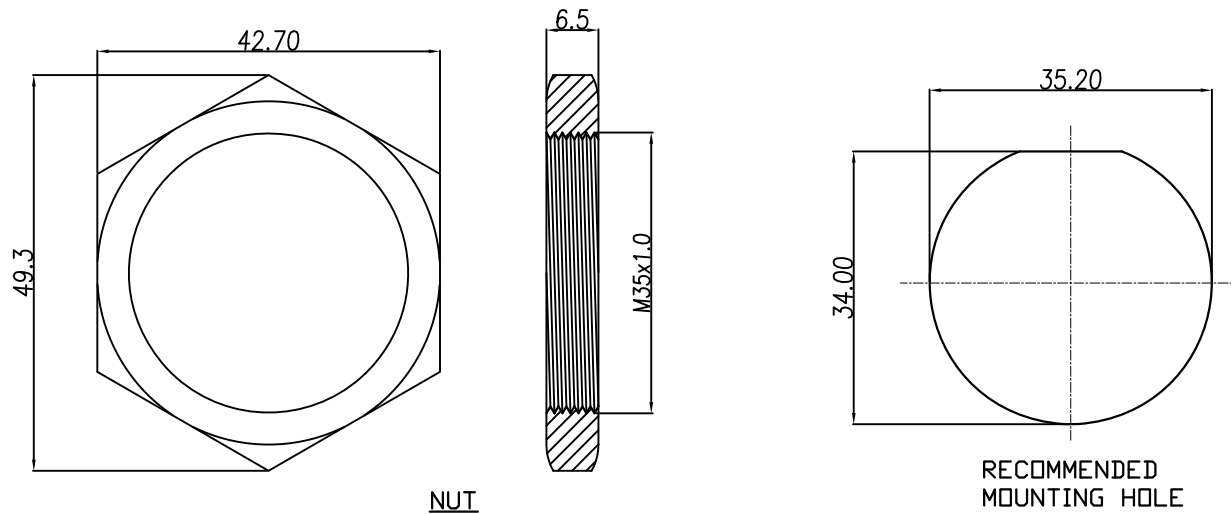
CUSTOMER DRAWING

REV.	DESCRIPTION	APPROVED BY	DATE	ECN NO.
A	RELEASE	Yeh Chou	2017/11/20	
B				
C				
D				



- MATERIAL :
 - 1-1. INSULATOR : PA66 ; COLOR : BLACK
 - 1-2. HOUSING : PA66 ; COLOR : BLACK
 - 1-3. REAR COVER : PA66 ; COLOR : BLACK
 - 1-4. NUT : PA66 ; COLOR : BLACK
 - 1-5. RUBBER : SILICONE ; COLOR : ORANGE

- ELECTRICAL SPECIFICATION :
 - 2-1. Rated current : 13A
 - 2-2. Rated Voltage : 500V
 - 2-3. Water proof : IP67
- Environmental :
 - 3-1. Operation Temperature : -40~105°



DRAWN	Yeh Chou	APP'D	Ku Chou	UNIT	mm	TOLERANCE		TITLE	防水頭9PIN(F)(1.375-18UNEF)加裝型			SHEET	
CHK'D	Yeh Chou			SCALE	1:1	.x ±0.20 .xx ±0.10 .xxx ±0.05 .xxxx ±0.03 ANGULA ±1°		PART NO.	WP-09F2-24-01	DWG NO.	QC8165	VERSION	

NIAN YEONG ENTERPRISE
年永實業有限公司