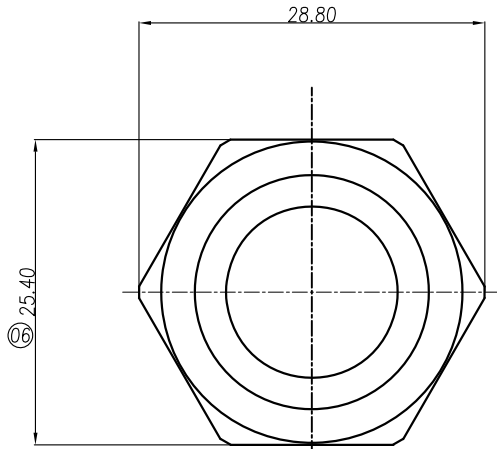


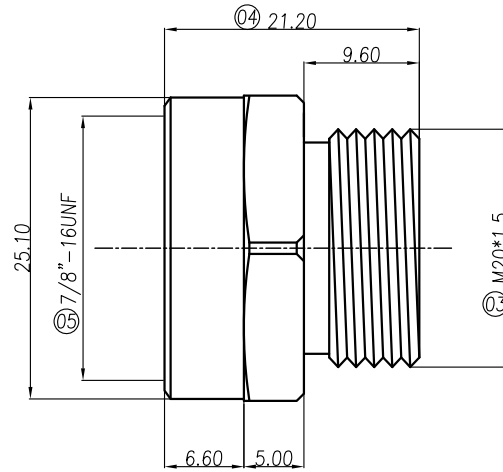
This document is the property of Nian-Yeong Corporation and is delivered on the express condition that it is not to be disclosed, reproduced or used, in whole or in part, for manufacture or sale by anyone other than Nian-Yeong Corporation without its prior consent, and that no right is granted to disclose or to use any information in this document.

CUSTOMER DRAWING

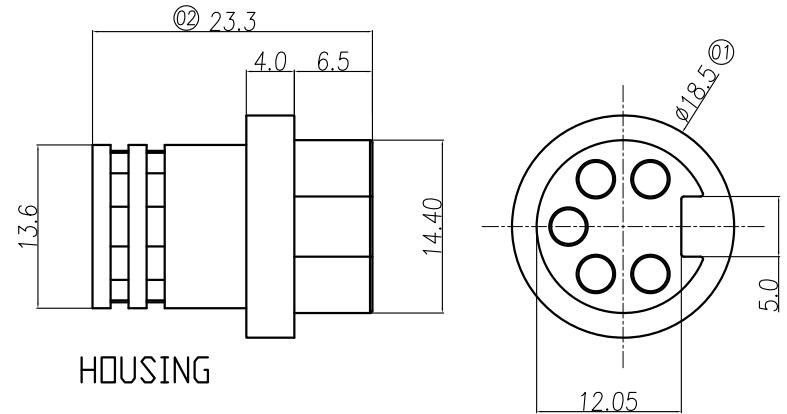
REV.	DESCRIPTION	APPROVED BY	DATE	ECN NO.
A	RELEASE	Fido Weng	02/11/13*	
B				
C				



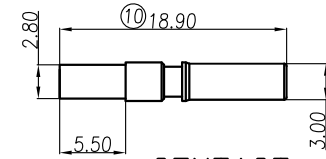
SHELL



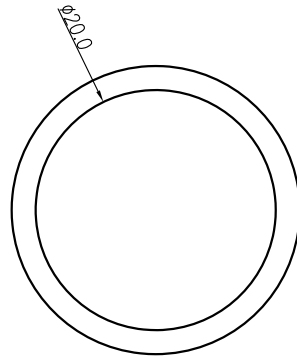
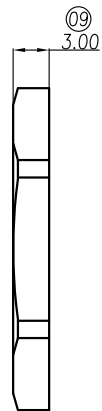
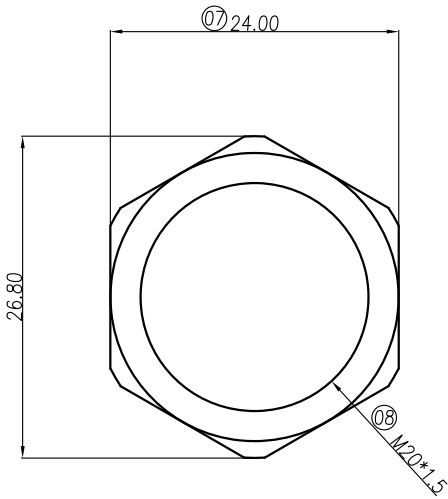
HOUSING



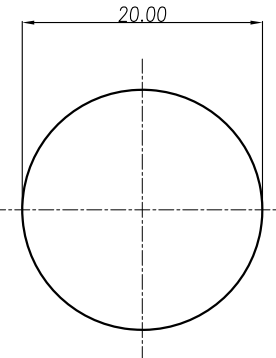
CONTACT



LOCK NUT



O-Ring



PANEL CUT-OUT

- MATERIAL :
  - 1-1. HOUSING : TPU ; COLOR : BLACK
  - 1-2. CONTACT : BRASS
  - 1-3. SHELL : BRASS
  - 1-4. O-RING : EPDM ; COLOR : BLACK
  - 1-5. NUT : BRASS
- FINISH :
  - 2-1. CONTACT : GOLD PLATED OVER ALL
  - 2-2. NUT : NICKEL PLATED OVER ALL
  - 2-3. SHELL : NICKEL PLATED OVER ALL
- ELECTRICAL SPECIFICATION :
  - 3-1. Rated current : 20A
  - 3-2. Rated Voltage : 250V
  - 3-3. Water proof : IP68
- Environmental :
  - 4-1. Operation Temperature : -40 °C~105°C

DRAWN	Mark Kao	APP'D	Ku Chou	UNIT	mm	TOLERANCE		TITLE	防水頭7/8"-16 5P (F) 後鎖夾線式			SHEET	
CHK'D	Emily Suen			SCALE	1:1	.x ±0.25 .xx ±0.20 .xxx ±0.10 .xxxx ±0.03 ANGULA ±1°			PART NO.	WP-05F2-91-11	DWG NO.	QC6618	VERSION A

