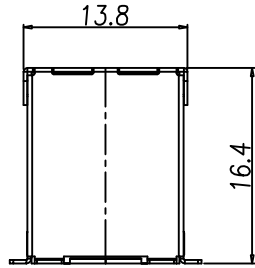
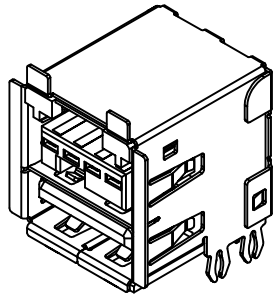


This document is the property of Nian-Yeong Corporation and is delivered on the express condition that it is not to be disclosed, reproduced or used, in whole or in part, for manufacture or sale by anyone other than Nian-Yeong Corporation without its prior consent, and that no right is granted to disclose or to use any information in this document.

# CUSTOMER DRAWING

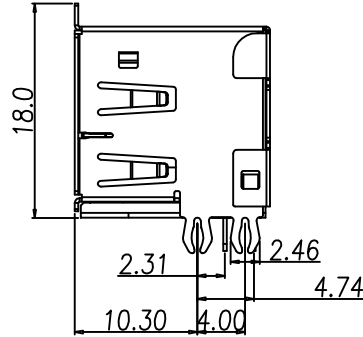
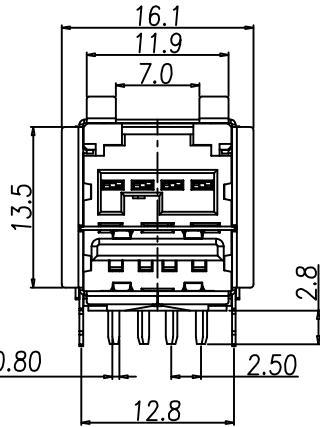
REV.	DESCRIPTION	APPROVED BY	DATE	ECN NO.
A	RELEASE	Fido Weng	23/02/09*	
B				
C				



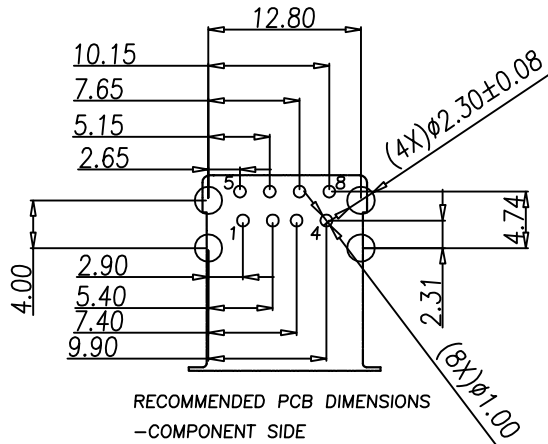
## CONTACT ASSIGNMENTS

CONTACT NUMBER	SIGNAL NAME
SHELL	SHIELD
1	VBUS
2	D-
3	D+
4	USB GROUND
5	PWR GROUND
6	VPLUS
7	VPLUS
8	PWR GROUND

- MATERIAL :
  - HOUSING : NYLON46 UL94V-0 ; COLOR : SEE TABLE A
  - CONTACT : PHOSPHOR BRONZE, t=0.3
  - SHELL : BRASS, t=0.3
  - SHRAPNEL : PHOSPHOR BRONZE
- FINISH :
  - CONTACT : CONTACT AREA : 30u" MIN. GOLD PLATING  
SOLDER AREA : MATTE-TIN  
UNDER PLATE : 50u" MIN. NICKEL
  - SHELL : 60u"~100u" NICKEL OVER ALL
  - SHRAPNEL : 60u"~100u" NICKEL OVER ALL
- ELECTRICAL :
  - CURRENT RATING : 1.5A USB SECTION  
3.0A POWER SECTION
  - VOLTAGE RATING : USB; 5.25V DC,+POWER; 12V DC, 24V DC, 5V DC
  - DIELECTRIC WITHSTANDING VOLTAGE : 750V AC
  - INSULATION RESISTANCE : 1000 MΩ AT 500V DC
  - CONTACT RESISTANCE : 30m Ohm MAX
  - MATING CYCLES : 5000 CYCLE
- ENVIRONMENTAL :
  - OPERATION TEMPERATURE : -40℃~85℃



前排0.60; 後排0.80



US-08F2-02 12V(KEY POSITION1) HOUSING COLOR : GREEN	US-08F2-01 24V(KEY POSITION2) HOUSING COLOR : RED	US-08F2-03 5V(KEY POSITION3) HOUSING COLOR : BLACK

DRAWN	Mark Kao	APP'D	Ku Chou	UNIT	mm	TOLERANCE	 NIAN YEONG ENTERPRISE 年永實業有限公司	TITLE	USB POWER 8PIN(F)			SHEET
CHK'D	Emily Suen			SCALE	1:1	.x ±0.20 .xx ±0.10 .xxx ±0.05 .xxxx ±0.03 ANGULA ±1°		PART NO.	SEE TABLE A	DWG NO.	QC2897	VERSION

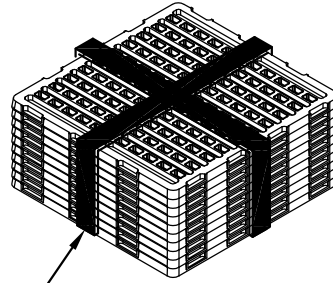
This document is the property of Nian-Yeong Corporation and is delivered on the express condition that it is not to be disclosed, reproduced or used, in whole or in part, for manufacture or sale by anyone other than Nian-Yeong Corporation without its prior consent, and that no right is granted to disclose or to use any information in this document.

# CUSTOMER DRAWING

REV.	DESCRIPTION	APPROVED BY	DATE	ECN NO.
A				
B				
C				

### 包裝說明:

1. 如圖所示,將成品按規定之包裝數量置入盤子中,並在盤上貼上盤面標籤一張
2. 10盒盤子一個單位以模帶封住,在裝入箱內,再封膠帶
3. 紙箱封蓋後以封箱帶封箱,並在側面貼上出貨標籤和ROHS標籤
4. 標籤:若有客戶另有貼標籤要求,則按其訂單注明之要求貼
5. 紙箱尺寸及印刷包材圖面(總重量僅供參考,以實際出貨為準)
6. 未滿之零數箱,需以緩衝材料填滿
7. 在搬運過程中要輕拿輕放.
8. 載運輸中不可堆放過多,不可有重壓現象.
8. 紙箱:SEE TABLE A
9. 一盤:100PCS
10. 一箱:10盤1000PCS



收縮模

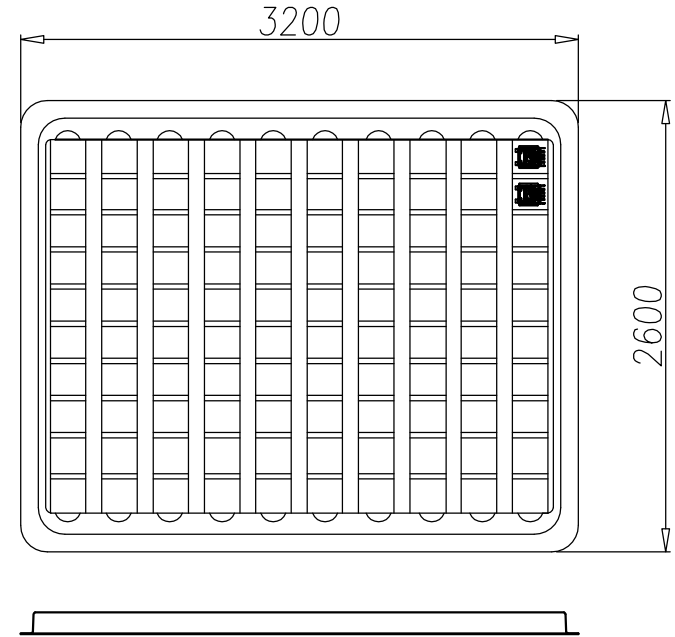
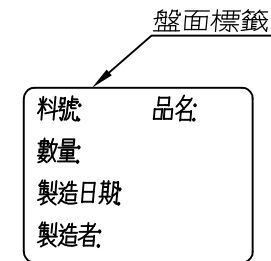
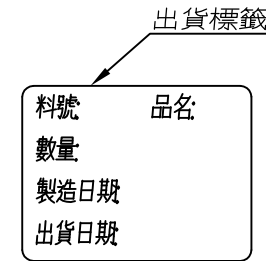
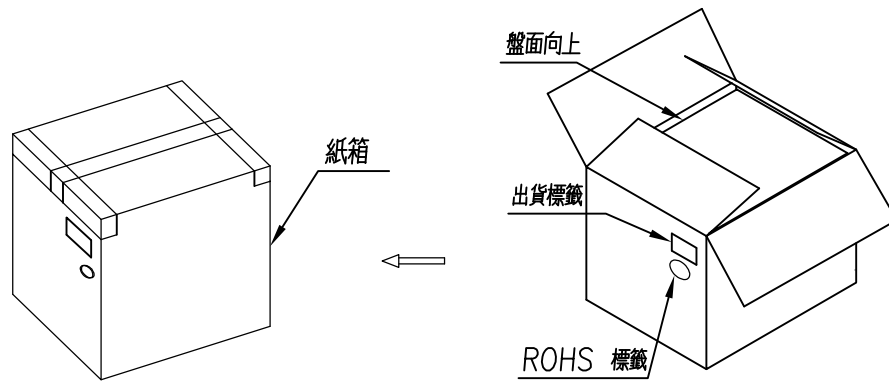


TABLE A

✓	PK-BOX002	F-008(1.02吋紙箱)	L=415mm,W=297mm,H=242mm
	PK-BOX003	F-009(0.4吋紙箱)	L=373mm,W=233mm,H=133mm
	PK-BOX004	F-010(0.7吋紙箱)	L=333mm,W=236mm,H=221mm
	PK-BOX018	硬紙箱0.4吋	L=373mm,W=233mm,H=133mm
	PK-BOX019	紙箱1.06吋(全不印字)	L=321mm,W=267mm,H=345mm
	P/N	包材名稱	備註



DRAWN	Yeh Chou	APP'D	Fido Weng	UNIT	mm	TOLERANCE	 <b>NIAN YEONG ENTERPRISE</b> 年永實業有限公司	TITLE	USB POWER 8PIN(F)			SHEET	2/2
CHK'D	Emily Suen			SCALE	1:1	.x ±0.10 .xx ±0.05 .xxx ±0.03 .xxxx ±0.01 ANGULA ±1°		PART NO.	PK-US0006	DWG NO.	QC2897	VERSION	C