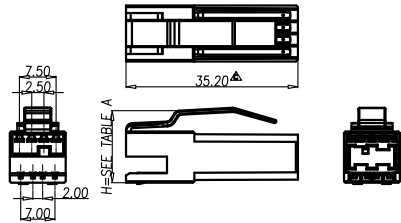


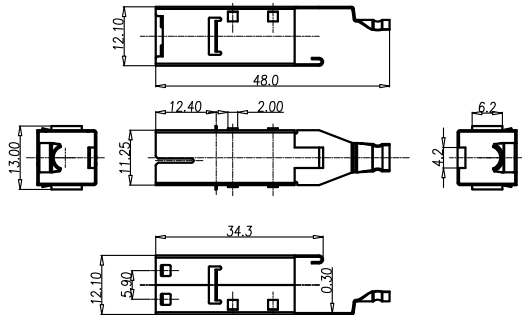
This document is the property of Nian-Yeong Corporation and is delivered on the express condition that it is not to be disclosed, reproduced or used, in whole or in part, for manufacture or sale by anyone other than Nian-Yeong Corporation without its prior consent, and that no right is granted to disclose or to use any information in this document.

# CUSTOMER DRAWING

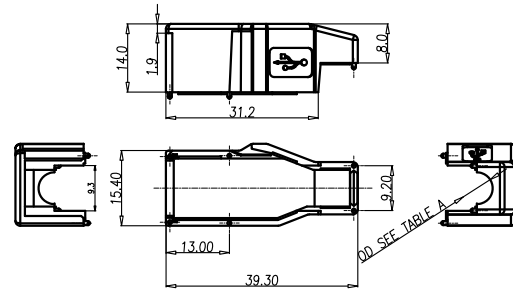
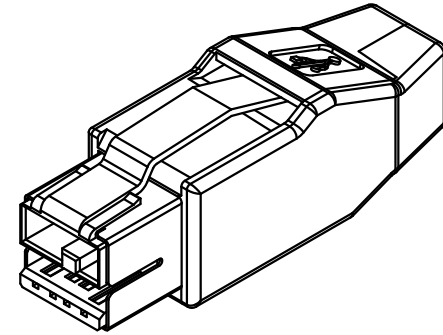
REV.	DESCRIPTION	APPROVED BY	DATE	ECN NO.
A	尺寸變更	Emily Suen	30/08/12*	
D	ADD NEW PART NO.	Fido Weng	10/09/13*	
E	合辦料號	Fido Weng	06/02/18*	



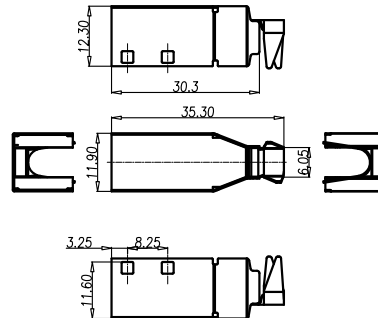
USB POWER COADE 8PIN(M) HSG+PIN



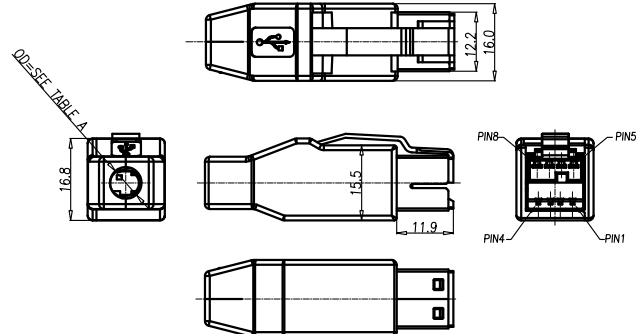
OY-US0248 USB POWER COADE 8PIN(M) LONG SHELL



USB POWER 8PIN(M)外殼下蓋



OY-US0249 USB POWER COADE 8PIN(M) SHORT SHELL

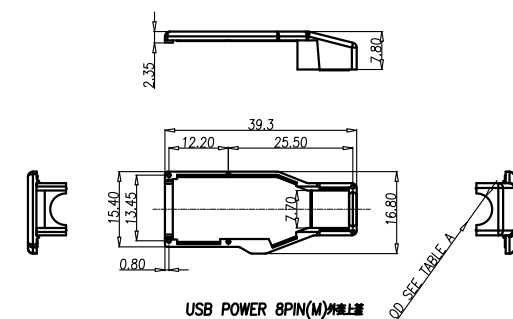


USB POWER 8PIN(M) 24V TYPE

- MATERIAL :
  - HOUSING : NYLON 66 UL94V-0
  - CONTACT : PHOSPHOR BRONZE
  - LONG SHELL : PHOSPHOR BRONZE
  - SHORT SHELL : PHOSPHOR BRONZE
  - UPPER COVER : ABS.
  - BASE COVER : ABS.
- FINISH :
  - CONTACT : GOLD 10u" MIN ON CONTACT AREA, SHINE TIN 80u" MIN ON SOLDER TAILS, UNDERPLATED NICKEL OVER ALL 50u" MIN.
  - SHELL : TIN PLATED OVER ALL .
- ELECTRICAL SPECIFICATION :
  - RATING VOLTAGE AND CURRENT : 1.5A AT 250V AC MIN, FOR POWER USB : 3.0A AT 250V AC MIN.
  - CONTACT RESISTANCE : 30m Ohm MAX
  - INSULATION RESISTANCE : 1000M Ohm MIN AT DC500V.
  - DIELECTRIC WITHSTANDING VOLTAGE : AC 500V/1 MINUTE.

TABLE A

REV.	P/N	DESCRIPTION
A	US-08M2-22	USB POWER 8PIN(M) 24V TYPE H=14.77(黑色外殼OD=7.0)
D	US-08M2-19	USB POWER 8PIN(M) 24V TYPE H=14.77(黑色外殼OD=7.0)
E	US-08M2-06	USB POWER 8PIN(M) 24V TYPE H=14.37(黑色外殼OD=7.0)
E	US-08M2-10	USB POWER 8PIN(M) 24V TYPE H=14.37(黑色外殼OD=7.0)
D	US-08M2-38-01	USB POWER 8PIN(M) 24V TYPE H=14.77(黑色外殼OD=6.5)(金30u")
	US-08M2-37	USB POWER 8PIN(M) 24V TYPE H=14.37(黑色外殼OD=6.5)鍍金30u"
	US-08M2-36	USB POWER 8PIN(M) 24V TYPE H=14.77(黑色外殼OD=4.5)
	US-08M2-33	USB POWER 8PIN(M) 24V TYPE H=14.77(黑色外殼OD=4.5)
	US-08M2-30	USB POWER 8PIN(M) 24V TYPE H=14.37(黑色外殼OD=4.5)
	US-08M2-27	USB POWER 8PIN(M) 24V TYPE H=14.37(黑色外殼OD=4.5)
	US-08M2-16	USB POWER 8PIN(M) 24V TYPE H=14.77(黑色外殼OD=6.5)
	US-08M2-13	USB POWER 8PIN(M) 24V TYPE H=14.77(黑色外殼OD=6.5)
	US-08M2-04	USB POWER 8PIN(M) 24V TYPE H=14.37(黑色外殼OD=6.5)
	US-08M2-01	USB POWER 8PIN(M) 24V TYPE H=14.37(黑色外殼OD=6.5)



USB POWER 8PIN(M)外殼上蓋

DRAWN	Jen Xie	APPEND	Fido Weng	UNIT	mm	TOLERANCE	DESCRIPTION	TITLE	SEE TABLE A	SHEET
CHOKED	Emily Suen			SCALE	1:1	.x ±0.20 .xx ±0.10 .xxx ±0.05 .xxxx ±0.03 ANGULA ±1*		PART NO.	SEE TABLE A	VERSION
								DWG NO.	QC2787	E

