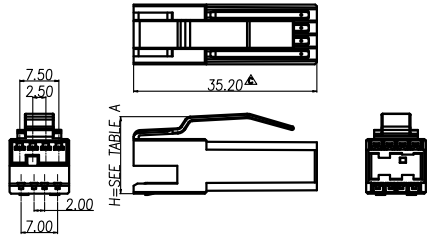


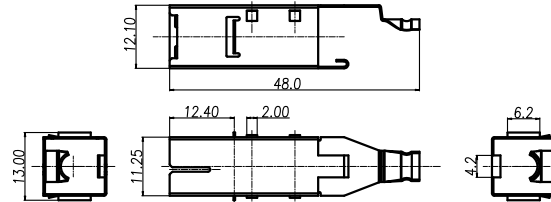
This document is the property of Nian-Yeong Corporation and is delivered on the express condition that it is not to be disclosed, reproduced or used, in whole or in part, for manufacture or sale by anyone other than Nian-Yeong Corporation without its prior consent, and that no right is granted to disclose or to use any information in this document.

CUSTOMER DRAWING

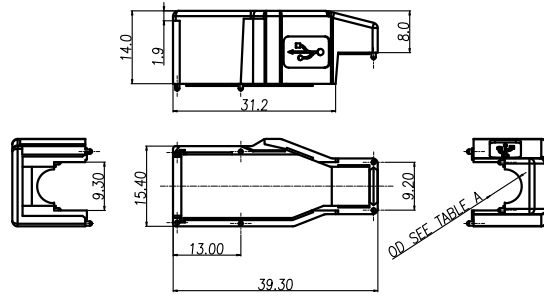
REV.	DESCRIPTION	APPROVED BY	DATE	ECN NO.
E	MODIFY DRAWING	Fido Weng	24/05/10*	
F	變更尺寸	Emily Suen	30/08/12*	
G	合併料號	Fido Weng	06/02/18*	



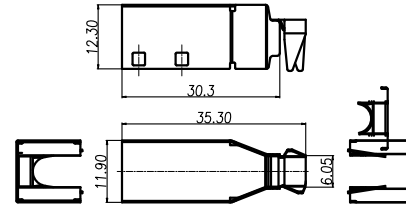
USB POWER COADE 8PIN(M) HSG+PIN



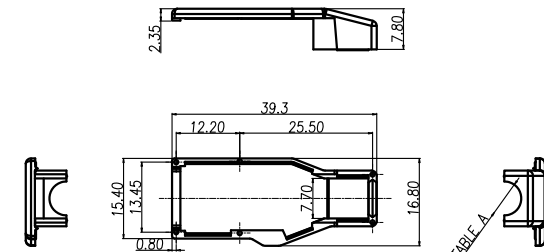
OY-US0248 USB POWER COADE 8PIN(M) LONG SHELL



USB POWER 8PIN(M) 外壳下蓋



OY-US0249 USB POWER COADE 8PIN(M) SHORT SHELL



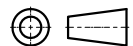
USB POWER 8PIN(M) 外壳上蓋

- MATERIAL :
 - HOUSING : NYLON 66 UL94V-0
 - CONTACT : PHOSPHOR BRONZE
 - LONG SHELL : PHOSPHOR BRONZE
 - SHORT SHELL : PHOSPHOR BRONZE
 - UPPER COVER : ABS.
 - BASE COVER : ABS.
- FINISH :
 - CONTACT : GOLD 10u" MIN ON CONTACT AREA, SHINE TIN 80u" MIN ON SOLDER TAILS, UNDERPLATED NICKEL OVER ALL 50u" MIN.
 - SHELL : TIN PLATED OVER ALL .
- ELECTRICAL SPECIFICATION :
 - RATING VOLTAGE AND CURRENT : 1.5A AT 250V AC MIN, FOR POWER USB : 3.0A AT 250V AC MIN.
 - CONTACT RESISTANCE : 30m Ohm MAX
 - INSULATION RESISTANCE : 1000M Ohm MIN AT DC500V.
 - DIELECTRIC WITHSTANDING VOLTAGE : AC 500V/1 MINUTE.

TABLE A

△	US-08M2-24	USB POWER 8PIN(M) 5V TYPE H=14.77(黑色外套OD=7.0)
△	US-08M2-21	USB POWER 8PIN(M) 5V TYPE H=14.77(貝古色外套OD=7.0)
△	US-08M2-12	USB POWER 8PIN(M) 5V TYPE H=14.37(黑色外套OD=7.0)
△	US-08M2-09	USB POWER 8PIN(M) 5V TYPE H=14.37(貝古色外套OD=7.0)
	US-08M2-34	USB POWER 8PIN(M) 5V TYPE H=14.77(貝古色外套OD=4.5)
	US-08M2-31	USB POWER 8PIN(M) 5V TYPE H=14.77(黑色外套OD=4.5)
	US-08M2-28	USB POWER 8PIN(M) 5V TYPE H=14.37(貝古色外套OD=4.5)
	US-08M2-25	USB POWER 8PIN(M) 5V TYPE H=14.37(黑色外套OD=4.5)
	US-08M2-18	USB POWER 8PIN(M) 5V TYPE H=14.77(黑色外套OD=6.5)
	US-08M2-15	USB POWER 8PIN(M) 5V TYPE H=14.77(貝古色外套OD=6.5)
	US-08M2-08	USB POWER 8PIN(M) 5V TYPE H=14.37(黑色外套OD=6.5)
	US-08M2-03	USB POWER 8PIN(M) 5V TYPE H=14.37(貝古色外套OD=6.5)
	P/N	DESCRIPTION

DRAWN	Jen Xie	APPEND	Fido Weng	UNIT	mm	TOLERANCE
CHOKED	Emily Suen			SCALE	1:1	.x ±0.20 .xx ±0.10 .xxx ±0.05 .xxxx ±0.03 ANGULA ±1°



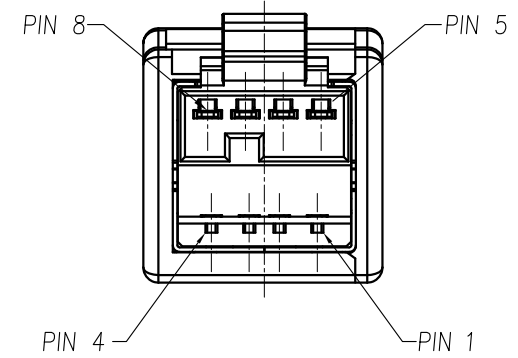
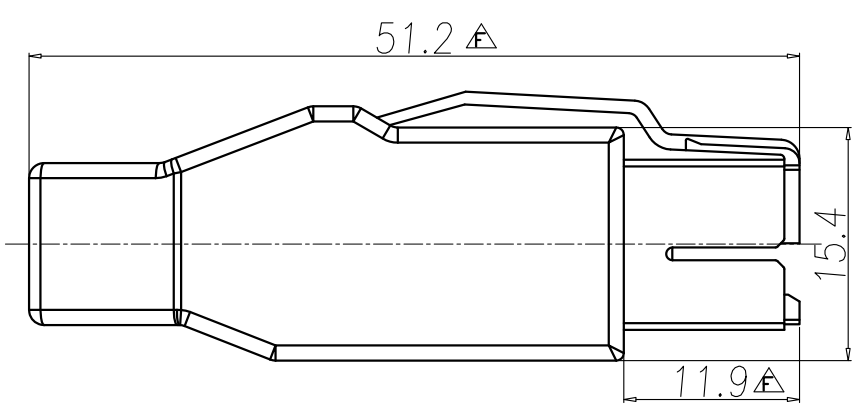
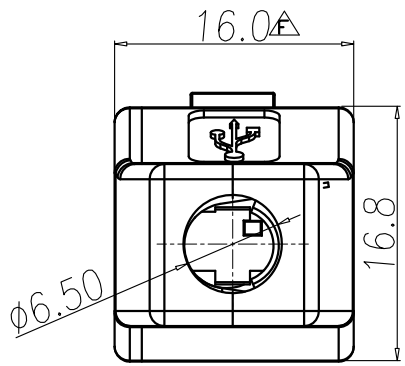
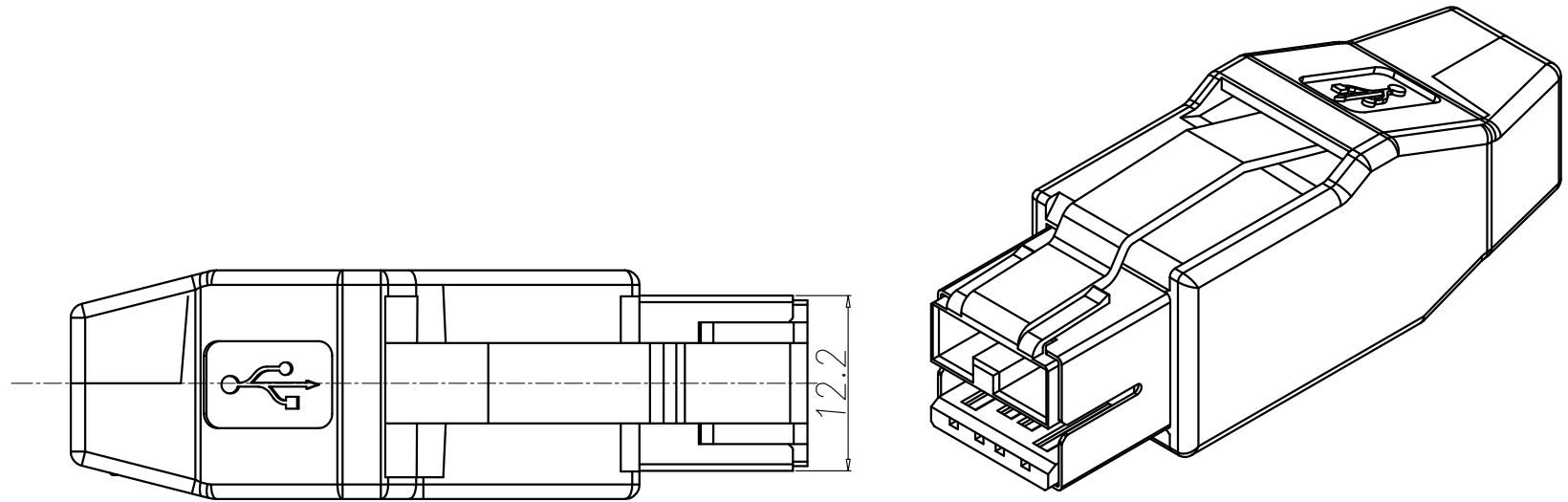
NIAN YEONG ENTERPRISE
年永實業有限公司

TITLE	SEE TABLE A			SHEET	1/2
PART NO.	SEE TABLE A	DWG NO.	QC2920	VERSION	G

This document is the property of Nian-Yeong Corporation and is delivered on the express condition that it is not to be disclosed, reproduced or used, in whole or in part, for manufacture or sale by anyone other than Nian-Yeong Corporation without its prior consent, and that no right is granted to disclose or to use any information in this document.

QC DRAWING

REV.	DESCRIPTION	APPROVED BY	DATE	ECN NO.
A	RELEASE	Fido Weng	22/12/08*	
B	變更尺寸	Emily Suen	28/08/12*	
C				



DRAWN	Mark Kao	APPEND	Ku Chou	UNIT	mm	TOLERANCE		TITLE	SEE TABLE A			SHEET	2
CHOKED	Emily Suen			SCALE	1:1	.x ±0.20 .xx ±0.10 .xxx ±0.05 .xxxx ±0.03 ANGULA ±1°		PART NO.	SEE TABLE A	DWG NO.	QC2920	VERSION	F
							NIAN YEONG ENTERPRISE 年永實業有限公司						