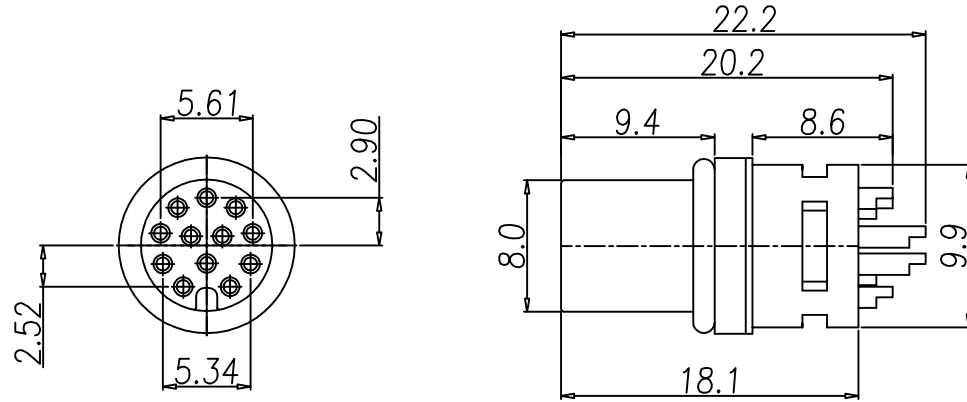


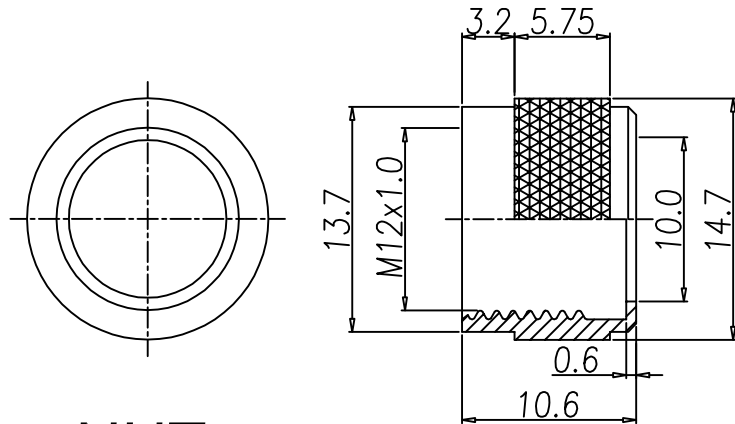
This document is the property of Nian-Yeong Corporation and is delivered on the express condition that it is not to be disclosed, reproduced or used, in whole or in part, for manufacture or sale by anyone other than Nian-Yeong Corporation without its prior consent, and that no right is granted to disclose or to use any information in this document.

CUSTOMER DRAWING

REV.	DESCRIPTION	APPROVED BY	DATE	ECN NO.
A	RELEASE	Fido Weng	22/02/16*	
B	增加心本色料號	KU	31/01/18*	
C				



- MATERIAL :
 - 1-1. HOUSING : NYLON 66 UL94V-0 ; COLOR : SEE TABLE A
 - 1-2. CONTACT : BRASS
 - 1-3. NUT : BRASS
 - 1-4. O-RING : EDPM
 - 1-5. SHELL : BRASS
- FINISH :
 - 2-1. CONTACT : 10 MICRO INCHES MIN. GOLD PLATED
 - UNDER PLATE : NICKEL
 - 2-2. NUT : NICKEL PLATED
 - 2-3. SHELL : BRIGHT TIN
- ELECTRICAL SPECIFICATION :
 - 3-1. Rated current : 1.5A
 - 3-2. Rated Voltage : 30V
 - 3-3. Water proof: IP67/IP68
- Environmental :
 - 4-1. Operation Temperature : -40℃~105℃



NUT

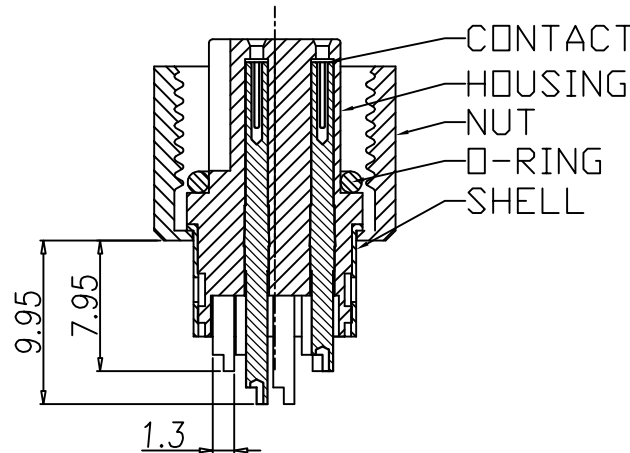


TABLE A

12PIN	10PIN
WP-12F2-16-11 WP-12F2-13-11	WP-10F2-19-11
WP-10F2-19-11	黑色/BLACK
WP-12F2-13-11	黑色/BLACK
WP-12F2-16-11	本色/Natural
PART No.	COLOR

DRAWN	Ku Chou	APP'D	Fido Weng	UNIT	mm	TOLERANCE		TITLE	WP M12 (F) 解線式螺絲壓花(接地剖溝)			SHEET
CHK'D	Emily Suen			SCALE	1:1	.x ±0.20 .xx ±0.10 .xxx ±0.05 .xxxx ±0.01 ANGULA ±1°		年永實業有限公司	PART NO.	SEE TABLE A	DWG NO.	QC7430