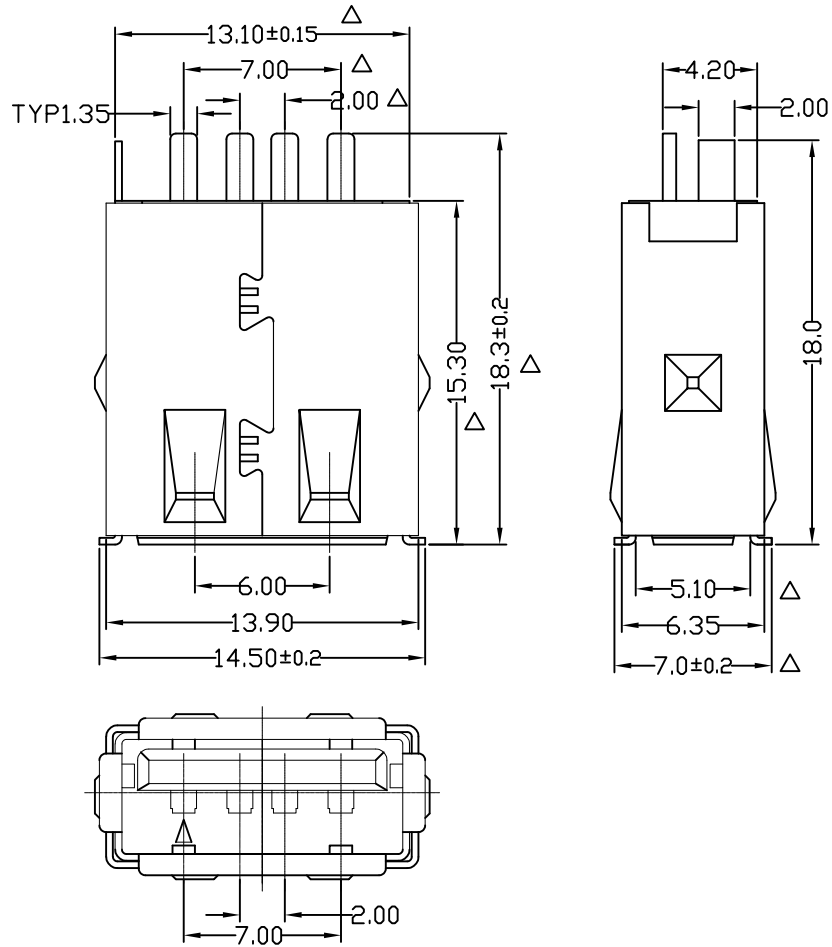


This document is the property of Nian-Yeong Corporation and is delivered on the express condition that it is not to be disclosed, reproduced or used, in whole or in part, for manufacture or sale by anyone other than Nian-Yeong Corporation without its prior consent, and that no right is granted to disclose or to use any information in this document.

CUSTOMER DRAWING

REV.	DESCRIPTION	APPROVED BY	DATE	ECN NO.
△A				
△B				
△C				



Note:

1. Material:

- 1.1 Insulator: PBT UL94-V0 ; COLOR : WHITE
- 1.2 Contact: PHOSPHOR BRONZR
- 1.3 Shell: SPCC

2. Specification:

- 2.1 Contact resistance: 30 mΩ Max
- 2.2 Insulation resistance: 1000 MΩ Min
- 2.3 Dielectric voltage: 500V AC one sec level
- 2.4 Operating temperature: -55°C ~ 105°C
- 2.5 Total mating force: 3.5 Kgf Max.
- 2.6 Total unmating force: 1.0 Kgf Min.
- 2.7 Major DIM: Δ

3. Finishes:

- 3.1 Contacts: SELECT Gold flashed
- 3.2 Shell: Nickel plated.

DRAWN	Mark Kao	APP'D	Ku Chau	UNIT	MM	TOLERANCE		TITLE	USB A TYPE SOLDER 4PIN(F) 接口鍍外委		SHEET		
CHK'D	Emily Suen			SCALE	3:1	.X ±0.20 .XX ±0.10 .XXX ±0.05 .XXXX ±0.03 ANGULA ±1°		NIAN YEONG ENTERPRISE 年永實業有限公司	PART NO.	US-04F1-08	DWG NO.	QC3102	VERSION