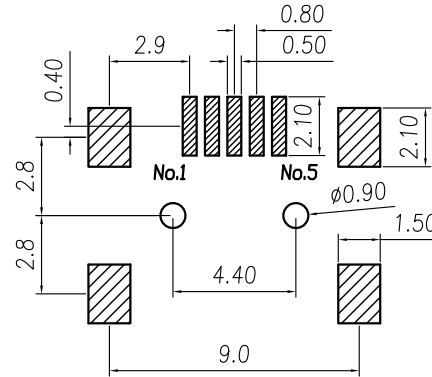
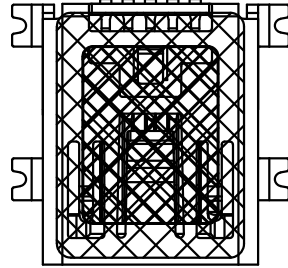
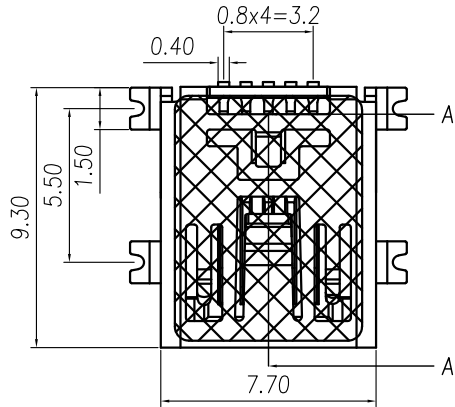


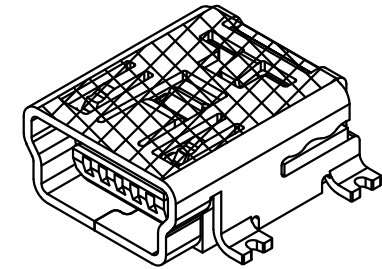
This document is the property of Nian-Yeong Corporation and is delivered on the express condition that it is not to be disclosed, reproduced or used, in whole or in part, for manufacture or sale by anyone other than Nian-Yeong Corporation without its prior consent, and that no right is granted to disclose or to use any information in this document.

CUSTOMER DRAWING

REV.	DESCRIPTION	APPROVED BY	DATE	ECN NO.
K	MODIFY CUSTOMER DRAWING & PACKING DRAWING	Fido Weng	04/06/10*	ECN10054
L				
M				



Recommend P.C.B LAYOUT



- MATERIAL :
 - HOUSING : SEE TABLE A
 - CONTACT : PHOSPHOR BRONZE
 - SHELL : BRASS
 - MYLAR : POLYIMIDE
- FINISH :
 - CONTACT : SEE TABLE A
SOLDER AREA : BRIGHT TIN.
UNDER PLATE : NICKEL
 - SHELL : SEE TABLE A
- ELECTRICAL SPECIFICATION :
 - Rated current : 1A
 - Voltage :5V

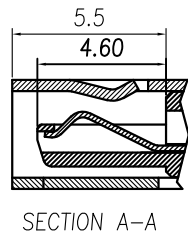
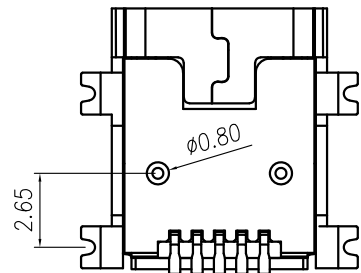
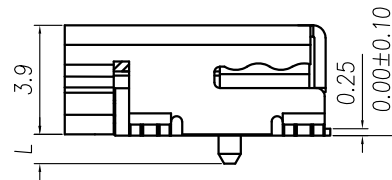
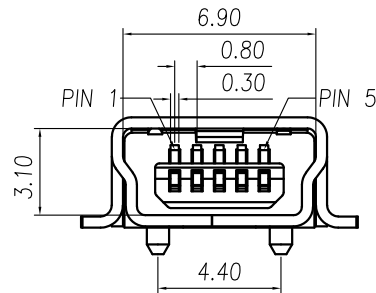


TABLE A

P/N	HOUSING MATERIAL	CONTACT AREA PLATING	SHELL PLATING	L(mm)	Notes
MU-05F4-72	LCP	GOLD 10u"	MATTE TIN 60u"	1.00	Mylar
MU-05F4-59	LCP	GOLD 10u"	MATTE TIN 60u"	1.00	WITHOUT MYLAR
MU-05F4-49	LCP	GOLD 50u" Ni200u"	NICKEL 60u"	1.00	
MU-05F4-10	NYLON 9T	GOLD 30u"	NICKEL 60u"	0.7	
MU-05F4-09	LCP	GOLD 30u"	MATTE TIN 60u"	1.00	Mylar
MU-05F4-07	NYLON 9T	GOLD 10u"	NICKEL 60u"	1.00	
MU-05F4-06	NYLON 9T	GOLD 30u"	NICKEL 60u"	1.00	Double Mylar
MU-05F4-05	NYLON 9T	GOLD 30u"	NICKEL 60u"	1.00	WITHOUT MYLAR
MU-05F4-04	NYLON 9T	GOLD 10u"	BRIGHT TIN 60u"	1.00	
MU-05F4-03	LCP	GOLD 30u"	NICKEL 60u"	1.00	
MU-05F4-02	NYLON 9T	GOLD 30u"	NICKEL 60u"	1.00	
MU-05F4-01	NYLON 9T	GOLD 10u"	BRIGHT TIN 60u"	1.00	WITHOUT MYLAR

DRAWN	Jen Xie	APP'D	Fido Weng	UNIT	mm	TOLERANCE
CHK'D	Emily Suen			SCALE	1:1	.x ±0.20 .xx ±0.10 .xxx ±0.05 .xxxx ±0.03 ANGULA ±1°



NIAN YEONG ENTERPRISE
年永實業有限公司

TITLE	MINI USB 5PIN (F)			SHEET	1/2
PART NO.	SEE TABLE A	DWG NO.	QC0794	VERSION	K

This document is the property of Nian-Yeong Corporation and is delivered on the express condition that it is not to be disclosed, reproduced or used, in whole or in part, for manufacture or sale by anyone other than Nian-Yeong Corporation without its prior consent, and that no right is granted to disclose or to use any information in this document.

CUSTOMER DRAWING

REV.	DESCRIPTION	APPROVED BY	DATE	ECN NO.
A	MODIFY CUSTOMER DRAWING & PACKING DRAWING	Fido Weng	04/06/10*	ECN10054
B				
M				

步驟一:

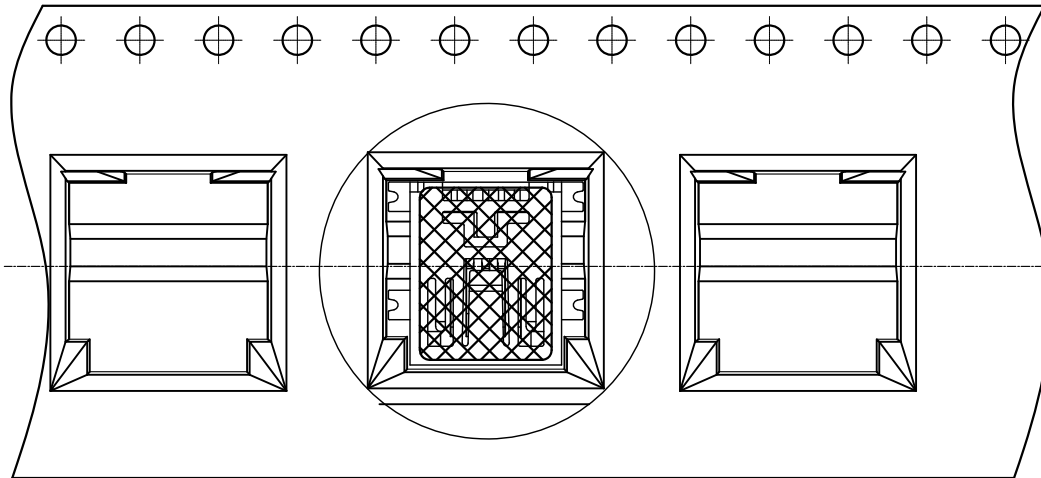
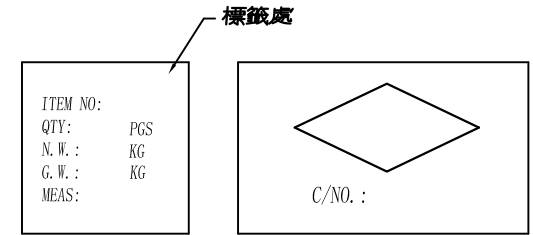
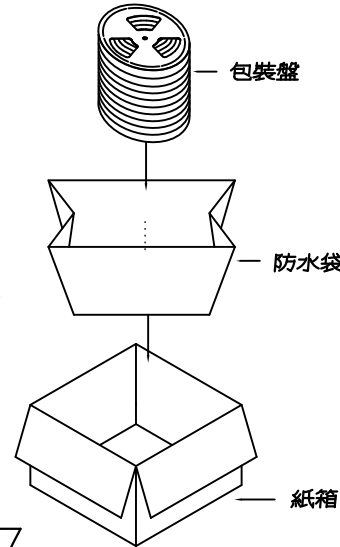
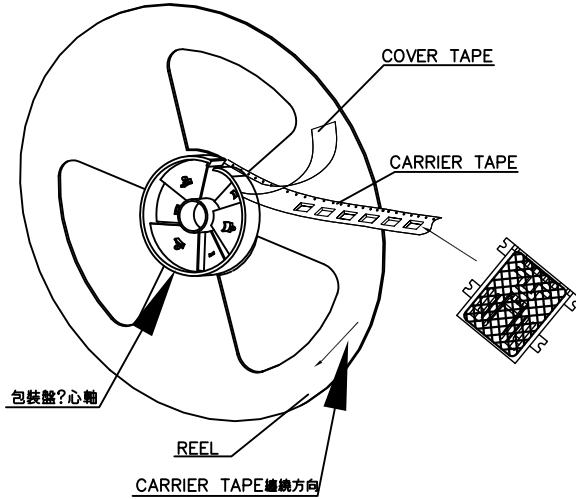
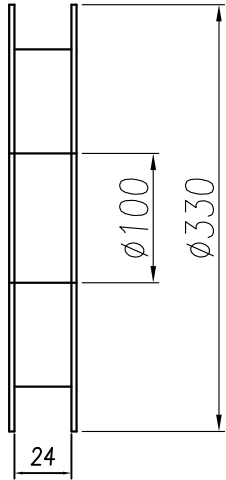
1. 將成品一一放入包裝盤內, 依同一方向置入.
2. 包裝方式, 如圖所示.
3. 一個包裝盤800pcs.

步驟二:

1. 一個紙箱可以裝10個包裝盤.
2. 每盤800pcs, 每箱8000pcs.
3. 將包裝盤放入防水袋中, 包裝完後再封箱.

步驟三:

1. 用膠帶將紙箱封實.
2. 將標籤貼於紙箱上.



NOTE:

1. 若有未裝滿之零數箱, 必須以緩衝材塞滿.
2. 在搬運過程中要輕拿輕放.
3. 載運輸中不可堆放過多, 不可有重壓現象.
4. 在裝滿產品後, 必須空留帶前和帶後42格, 然後用紙膠布貼上.
5. 上帶在貼下帶時必須平整, 且黏貼處不要出現氣泡.

DRAWN	Jen Xie	APP'D	Fido Weng	UNIT	mm	TOLERANCE		TITLE	MINI USB 5PIN (F)		SHEET	2
CHK'D	Emily Suen			SCALE	1:1	.x ±0.20 .xx ±0.10 .xxx ±0.05 .xxxx ±0.03 ANGULA ±1°		PART NO.	DWG NO.	QC0794	VERSION	K
							NIAN YEONG ENTERPRISE					
							年永實業有限公司					