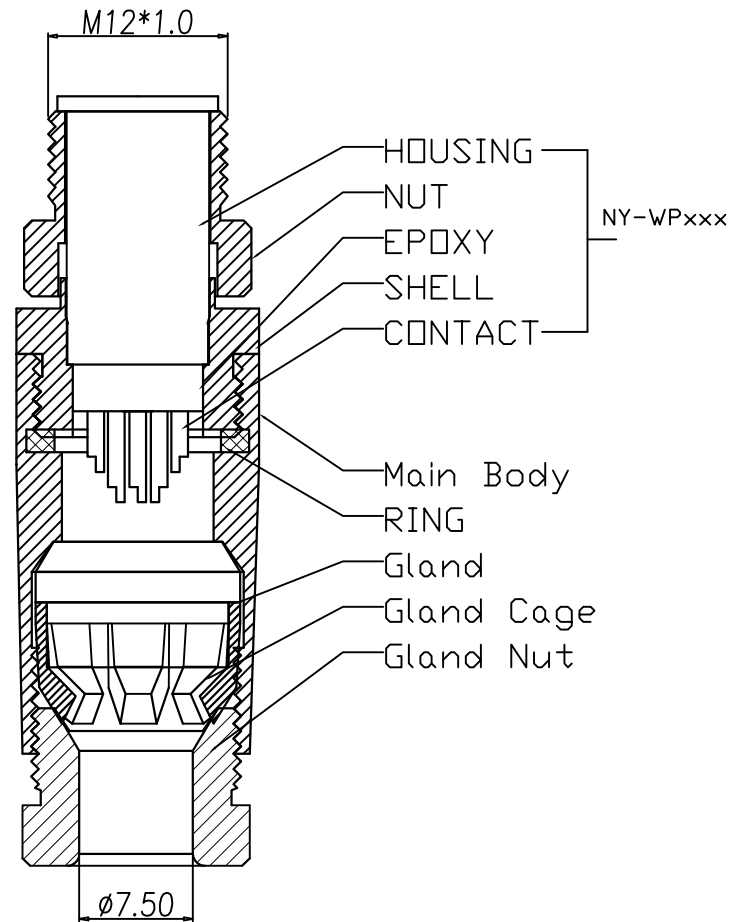
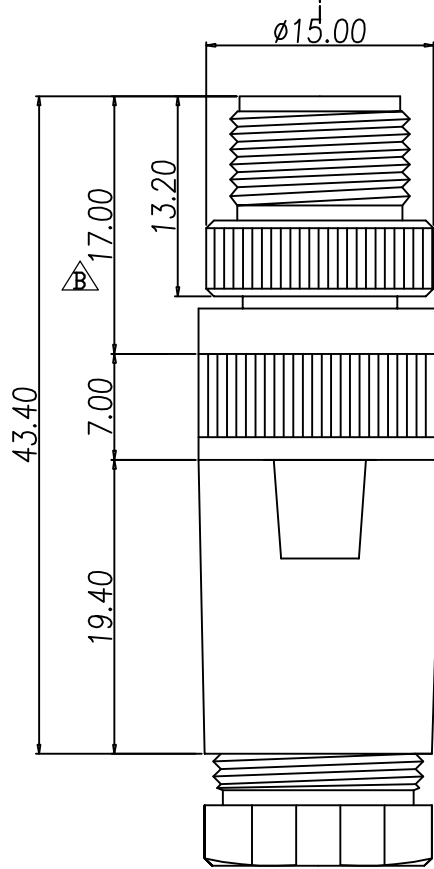
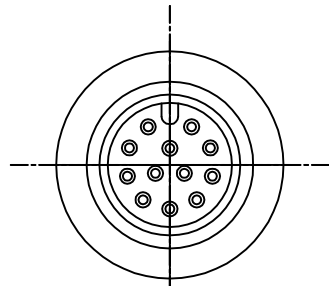


This document is the property of Nian-Yeong Corporation and is delivered on the express condition that it is not to be disclosed, reproduced or used, in whole or in part, for manufacture or sale by anyone other than Nian-Yeong Corporation without its prior consent, and that no right is granted to disclose or to use any information in this document.

CUSTOMER DRAWING

REV.	DESCRIPTION	APPROVED BY	DATE	ECN NO.
A	RELEASE	Fido Weng	31/08/15*	
B	CHANGE DIM.	Ku Chou	26/02/19*	
C				



1. MATERIAL :
 - 1-1. NY-WPxxx :
 - a. HOUSING : PBT UL94V-0 ; COLOR : BLACK.
 - b. CONTACT : BRASS
 - c. NUT : ALUMINUM ALLOY
 - d. SHELL : ALUMINUM ALLOY
 - 1-2. Main Body : ALUMINUM ALLOY
 - 1-3. Gland : SILICONE COLOR : BLACK.
 - 1-4. Gland Cage : POM ; COLOR : BLACK.
 - 1-5. Gland Nut : ALUMINUM ALLOY.
2. FINISH :
 - 2-1. NY-WPXXX :
 - 2-1. CONTACT : 10 MICRO INCHES MIN. GOLD PLATED UNDER PLATE : NICKEL.
 - b. NUT : SATIN NICKEL PLATED.
 - c. SHELL : SATIN NICKEL PLATED.
 - 2-2. Main Body : SATIN NICKEL PLATED.
 - 2-3. Gland Nut : SATIN NICKEL PLATED.
3. ELECTRICAL SPECIFICATION :
 - 3-1. Rated current : 1.5A
 - 3-2. Rated Voltage : 30V
 - 3-3. Water proof : IP67
4. Environmental :
 - 4-1. Operation Temperature : -20°C~85°C

DRAWN	Mark Kao	APP'D	Ku Chou	UNIT	mm	TOLERANCE		NIAN YEONG ENTERPRISE 年永實業有限公司	TITLE	M12 12PIN (M) A-coded Assembly type			SHEET	
CHK'D	Emily Suen			SCALE	1:1	.x ±0.20 .xx ±0.10 .xxx ±0.05 .xxxx ±0.03 ANGULA ±1°			PART NO.	WP-12M2-16-11	DWG NO.	QC8195	VERSION	