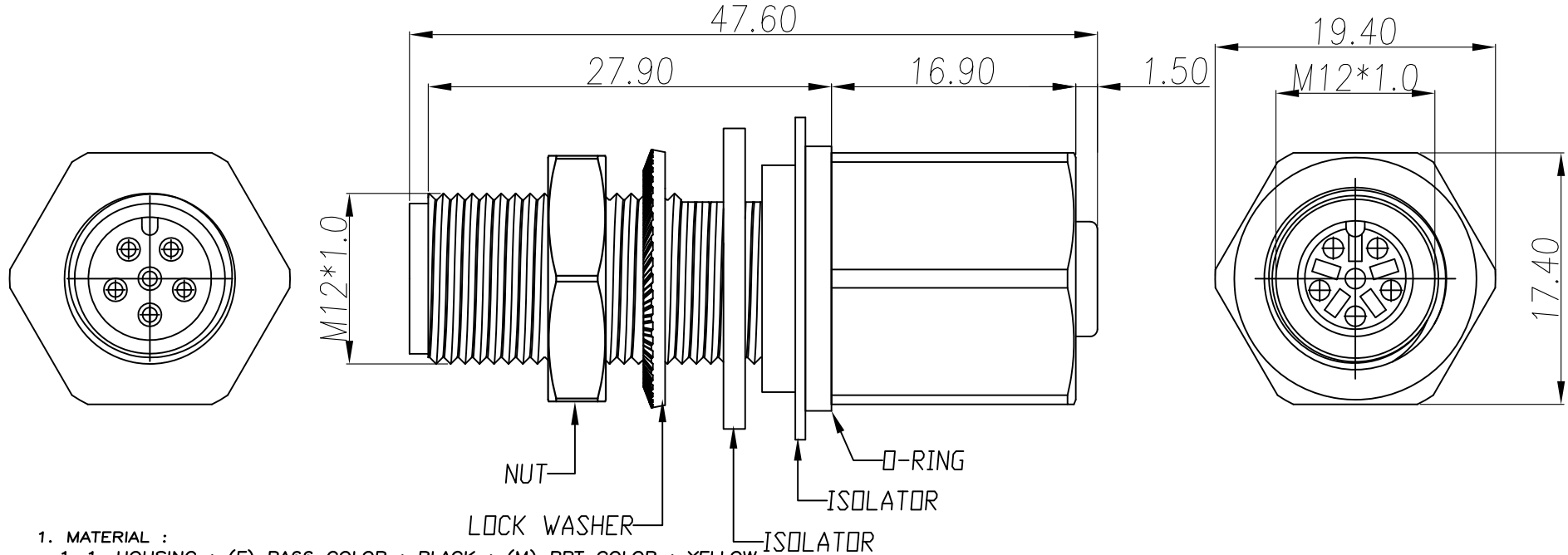


This document is the property of Nian-Yeong Corporation and is delivered on the express condition that it is not to be disclosed, reproduced or used, in whole or in part, for manufacture or sale by anyone other than Nian-Yeong Corporation without its prior consent, and that no right is granted to disclose or to use any information in this document.

CUSTOMER DRAWING

REV.	DESCRIPTION	APPROVED BY	DATE	ECN NO.
A	RELEASE	Fido Weng	26/03/14'	
B				
C				



1. MATERIAL :
 - 1-1. HOUSING : (F) PA66 COLOR : BLACK ; (M) PBT COLOR : YELLOW
 - 1-2. CONTACT : BRASS
 - 1-3. SHELL : BRASS
 - 1-4. NUT : BRASS
 - 1-5. ISOLATOR : POM
 - 1-6. O-RING : SILICONE ; COLOR : BLACK.
 - 1-7. WASHER : MEDIUM-CARBON STEEL
2. FINISH :
 - 2-1. CONTACT : GOLD PLATED OVER ALL
 - 2-2. SHELL : NICKEL PLATED
 - 2-3. NUT : NICKEL PLATED
 - 2-4. WASHER : ANTI-RUST TREATMENT
3. ELECTRICAL SPECIFICATION :
 - 3-1. Rated current : 2A
 - 3-2. Rated voltage : 30V
 - 3-3. Water proof : IP68
4. Environmental :
 - 4-1. Operation Temperature : -40°C~105°C

DRAWN	Ku Chou	APP'D	Emily Suen	UNIT	mm	TOLERANCE		TITLE	防水頭 M12 6PIN A-CODE 雙接頭			SHEET	
CHK'D	Ku Chou	SCALE	1:1			.x ±0.20 .xx ±0.10 .xxx ±0.05 .xxxx ±0.01 ANGULA ±1°		PART NO.	CB-0414-11	DWG NO.	QC6615	VERSION	

NIAN YEONG ENTERPRISE
年永實業有限公司