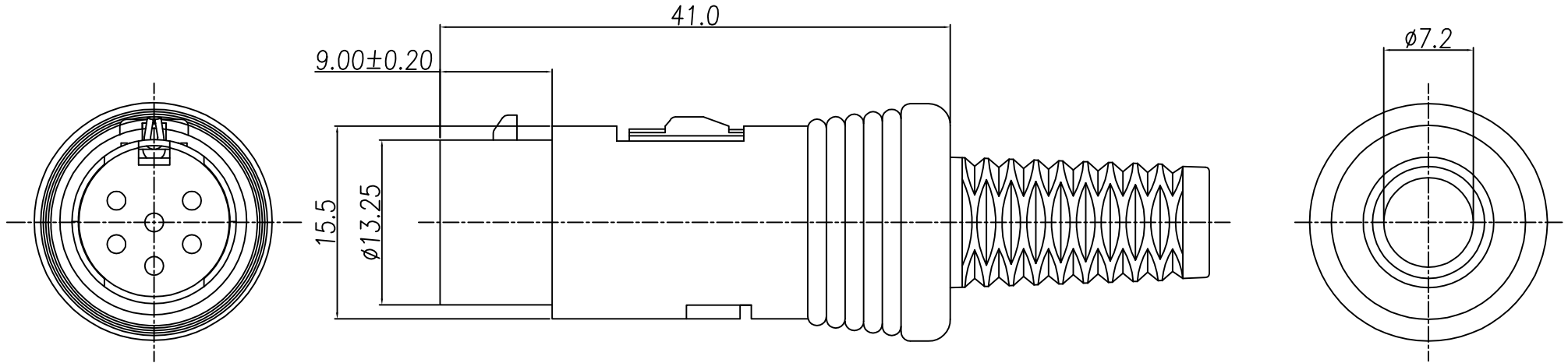


This document is the property of Nian-Yeong Corporation and is delivered on the express condition that it is not to be disclosed, reproduced or used, in whole or in part, for manufacture or sale by anyone other than Nian-Yeong Corporation without its prior consent, and that no right is granted to disclose or to use any information in this document.

CUSTOMER DRAWING

REV.	DESCRIPTION	APPROVED BY	DATE	ECN NO.
A	RELEASE	Fido Weng	06/08/09*	
B				
C				



1. MATERIAL :
  - 1-1. HOUSING : PA66+15%GF ; COLOR : BLACK.
  - 1-2. CONTACT : BRASS
  - 1-3. SHELL : K7
  - 1-4. CAP : K7
  - 1-5. COAT : PA66+15%GF ; COLOR : BLACK.
  - 1-6. SR : PVC ; COLOR : BLACK.
  - 1-7. LOCK : BRASS.
2. FINISH :
  - 2-1. CONTACT : NICKEL PLATING
  - 2-2. SHELL : NICKEL PLATED
  - 2-3. COVER : NICKEL PLATED
  - 2-4. LOCK : NICKEL PLATED
3. ELECTRICAL SPECIFICATION :
  - 3-1. Rated current: 3PIN~8PIN 5A ; 12PIN~13PIN 3A
  - 3-2. Rated Voltage : 3PIN~8PIN 250V ; 12PIN~13PIN 60V

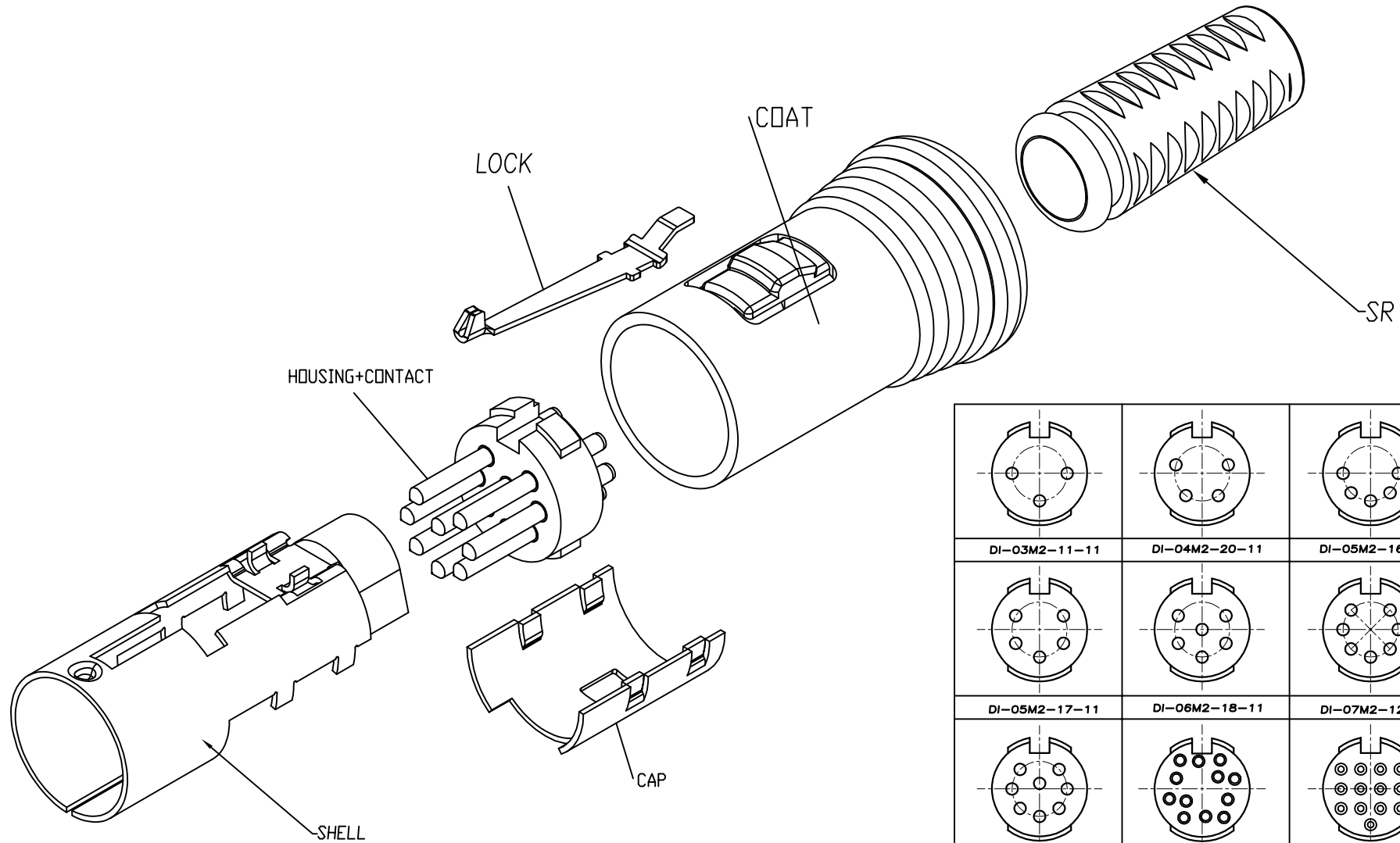
DI-03M2-11-11	DI-04M2-20-11	DI-05M2-16-11
DI-05M2-17-11	DI-06M2-18-11	DI-07M2-12-11
DI-08M2-19-11	DI-12M2-13-11	DI-13M2-12-11

DRAWN	Angus LAI	APP'D	Emily Suen	UNIT	mm	TOLERANCE		<b>NIAN YEONG ENTERPRISE</b> 年永實業有限公司	TITLE	DIN PLUG 插式 LOCK			SHEET	1/3 VERSION A
CHK'D	Emily Suen			SCALE	1:1	.x ±0.20 .xx ±0.10 .xxx ±0.05 .xxxx ±0.03 ANGULA ±1°			PART NO.	SEE TABLE A	DWG NO.	QC8346		

This document is the property of Nian-Yeong Corporation and is delivered on the express condition that it is not to be disclosed, reproduced or used, in whole or in part, for manufacture or sale by anyone other than Nian-Yeong Corporation without its prior consent, and that no right is granted to disclose or to use any information in this document.

CUSTOMER DRAWING

REV.	DESCRIPTION	APPROVED BY	DATE	ECN NO.
A	RELEASE	Fido Weng	06/08/09*	
B				
C				



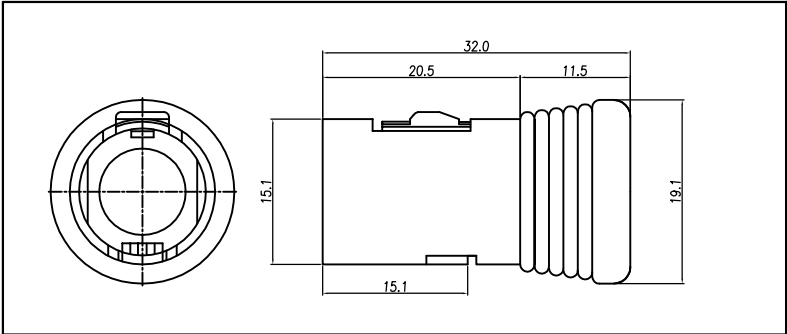
DI-03M2-11-11	DI-04M2-20-11	DI-05M2-16-11
DI-05M2-17-11	DI-06M2-18-11	DI-07M2-12-11
DI-08M2-19-11	DI-12M2-13-11	DI-13M2-12-11

DRAWN	Angus LAI	APP'D	Emily Suen	UNIT	mm	TOLERANCE		TITLE	DIN PLUG 鎖式 LOCK			SHEET	2
CHK'D	Emily Suen			SCALE	1:1	.x ±0.20 .xx ±0.10 .xxx ±0.05 .xxxx ±0.03 ANGULA ±1		年永實業有限公司	PART NO.	SEE TABLE A	DWG NO.	QC8346	VERSION

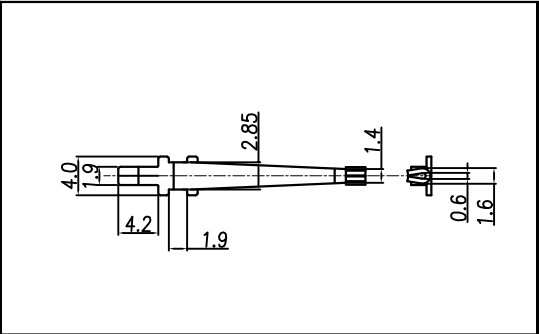
This document is the property of Nian-Yeong Corporation and is delivered on the express condition that it is not to be disclosed, reproduced or used, in whole or in part, for manufacture or sale by anyone other than Nian-Yeong Corporation without its prior consent, and that no right is granted to disclose or to use any information in this document.

CUSTOMER DRAWING

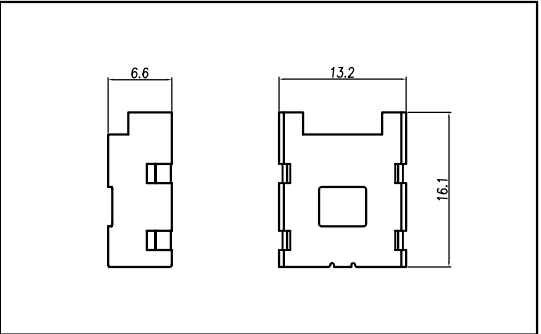
REV.	DESCRIPTION	APPROVED BY	DATE	ECN NO.
A	RELEASE	Fido Weng	06/08/09*	
B				ECN1012
C				



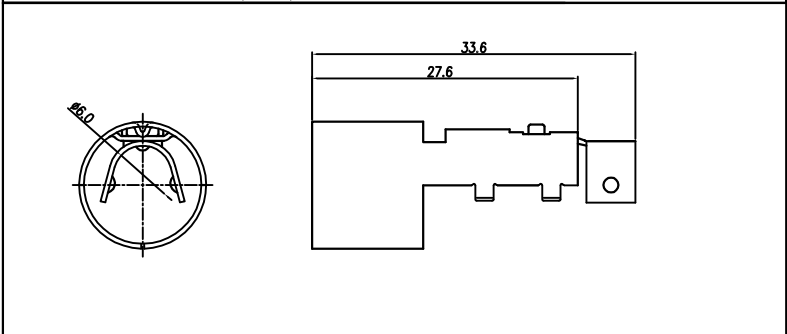
(COAT)



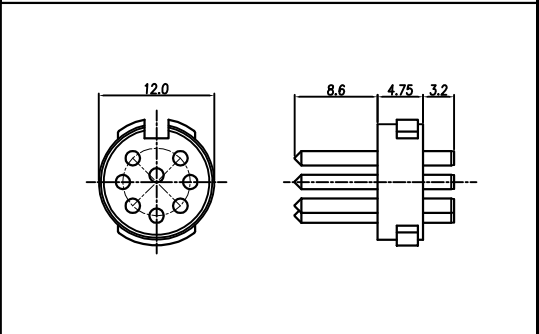
(LOCK)



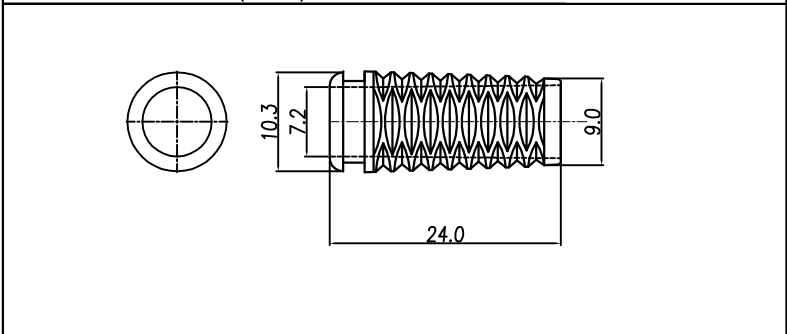
(CAP)



(SHELL)



(HOUSING+PIN)



ON-DM0023(SR)

1. MATERIAL :
  - 1-1. HOUSING : PA66+15%GF ; COLOR : BLACK.
  - 1-2. CONTACT : BRASS
  - 1-3. SHELL : K7
  - 1-4. SR : PVC ; COLOR : BLACK.
  - 1-5. COAT : PA66+15%GF;COLOR:BLACK.
  - 1-6. LOCK : BRASS
  - 1-7. CAP : K7
2. FINISH :
  - 2-1. CONTACT : NICKEL PLATED
  - 2-2. SHELL : NICKEL PLATED
  - 2-3. CLASP : NICKEL PLATED
  - 2-4. COVER : NICKEL PLATED

DRAWN	Angus LAI	APP'D	Emily Suen	UNIT	mm	TOLERANCE	
CHK'D	Emily Suen			SCALE	1:1	.x ±0.20 .xx ±0.10 .xxx ±0.05 .xxxx ±0.03 ANGULA ±1°	



TITLE	DIN PLUG 裝配式帶 LOCK			SHEET	3/3
PART NO.	SEE TABLE A	DWG NO.	QC8346	VERSION	A