

This document is the property of Nian-Yeong Corporation and is delivered on the express condition that it is not to be disclosed, reproduced or used, in whole or in part, for manufacture or sale by anyone other than Nian-Yeong Corporation without its prior consent, and that no right is granted to disclose or to use any information in this document.

CUSTOMER DRAWING

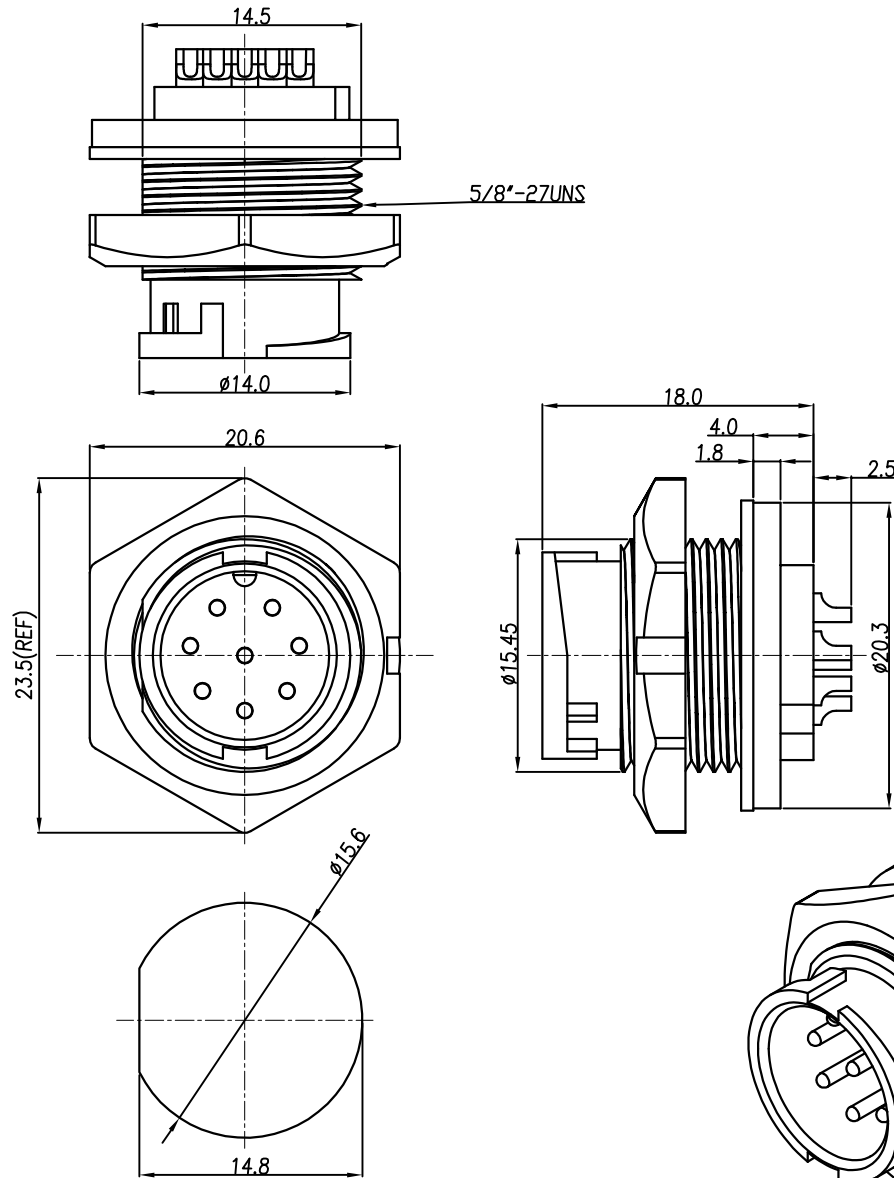
REV.	DESCRIPTION	APPROVED BY	DATE	ECN NO.
A	RELEASE	Ku Chou	25/06/18*	
B				
C				

TABLE A

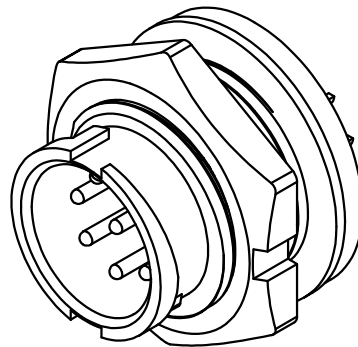
6 PIN	7 PIN	8 PIN	
WP-06M2-62-11	WP-07M2-11-11	WP-08M2-74-11	
2 PIN	3 PIN	4 PIN	5 PIN
WP-02M2-52-11	WP-03M2-87-11	WP-04M2-157-11	WP-05M2-125-11

PIN ASSIGNMENTS
FRONT VIEW

1. MATERIAL :
 - 1-1. HOUSING : PA66
 - 1-2. CONTACT : BRASS
 - 1-3. GASKET : SILICONE
 - 1-4. HEX NUT : PA66
2. FINISH :
 - 2-1. CONTACT : GOLD FLASH PLATED.
3. ELECTRICAL SPECIFICATION :
 - 3-1. Rated current : 5A
 - 3-2. Rated voltage : 250V
 - 3-3. Water proof : IP67
4. Environmental :
 - 4-1. Operation Temperature : -40°C~105°C



RECOMMENDED PANEL CUT-OUT



DRAWN	APP'D	UNIT	TOLERANCE	TITLE		SHEET
Emily Suen	Ku Chou	mm	.x ±0.20	WP (M) (LOCK) B SIZE 前鎖焊線式		1
CHK'D		SCALE	.xx ±0.10	PART NO. SEE TABLE A		VERSION
		1:1	.xxx ±0.05	DWG NO. QC8429		A
			.xxxx ±0.03			
			ANGULA ±1°			

NIAN YEONG ENTERPRISE
年永實業有限公司