

This document is the property of Nian-Yeong Corporation and is delivered on the express condition that it is not to be disclosed, reproduced or used, in whole or in part, for manufacture or sale by anyone other than Nian-Yeong Corporation without its prior consent, and that no right is granted to disclose or to use any information in this document.

CUSTOMER DRAWING

REV.	DESCRIPTION	APPVL. BY	DATE	ECN NO.
A	RELEASE	Fido Weng	16/07/12'	
B	修正油封材質	Ku Chou	20/07/18'	
C				

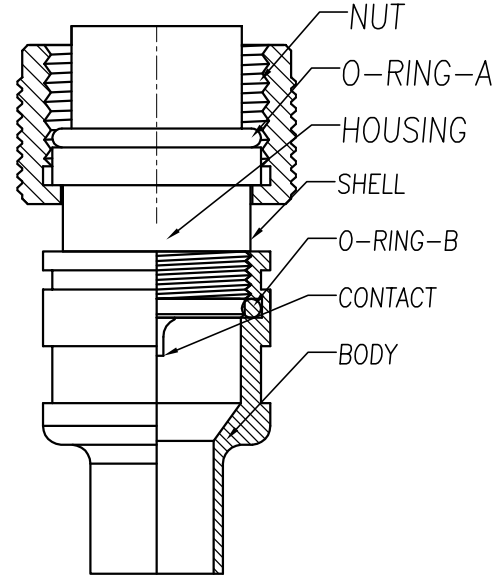
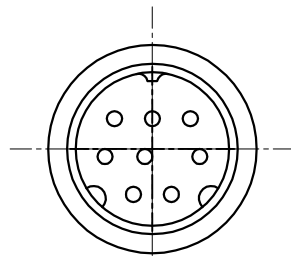
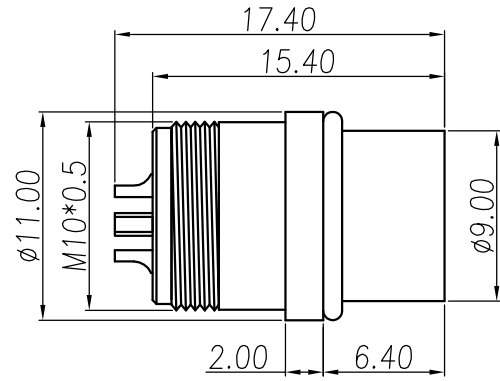
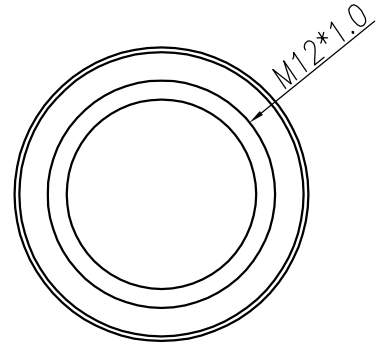
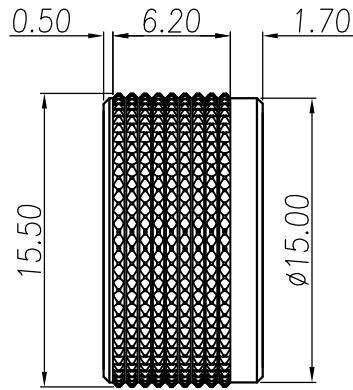


TABLE A

WP-03M2-51-11	WP-04M2-106-11
WP-05M2-92-11	WP-06M2-42-11
WP-07M2-06-11	WP-08M2-45-11

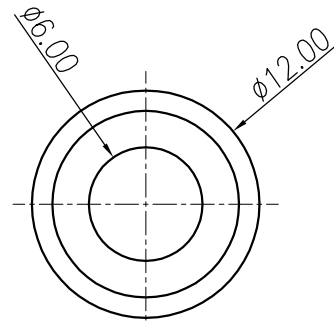
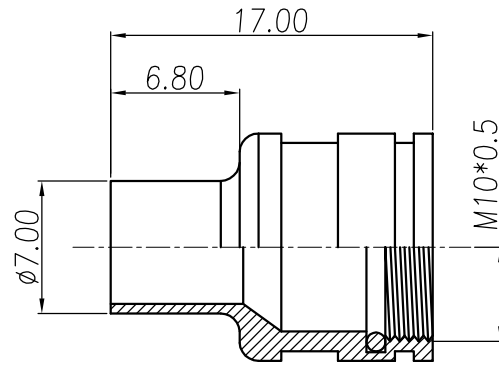


1. MATERIAL :
- 1-1. HOUSING : PBT UL94V-0 ; COLOR : BLACK
  - 1-2. CONTACT : BRASS
  - 1-3. SHELL : BRASS
  - 1-4. NUT : BRASS
  - 1-5. O-RING-A : SILICONE ; COLOR : BLACK
  - 1-6. BODY : BRASS
  - 1-7. O-RING-B : EPDM ; COLOR : BLACK

2. FINISH :
- 2-1. CONTACT : GOLD FLASH.  
UNDER PLATE : NICKEL
  - 2-2. SHELL : NICKEL PLATED.
  - 2-3. NUT : NICKEL PLATED.
  - 2-4. BODY : NICKEL PLATED.

3. ELECTRICAL SPECIFICATION :
- 3-1. Rated current : 2A
  - 3-2. Rated Voltage : 12V
  - 3-3. Water proof: IPX7

4. Environmental :
- 4-1. Operation Temperature : -20°C~85°C



DRAW	Hulk Zhang	APPVL	Emily Suen	UNIT	mm	TOLERANCE		TITLE	防水MINI DIN (M) 線端焊線式			SHEET
CHECK	Emily Suen			SCALE	1:1	.x ±0.20 .xx ±0.10 .xxx ±0.05 .xxxx ±0.03 ANGULA ±1°		NIAN YEONG ENTERPRISE 年永實業有限公司	PART NO. SEE TABLE A	DWG NO. QC7271	VERSION B	