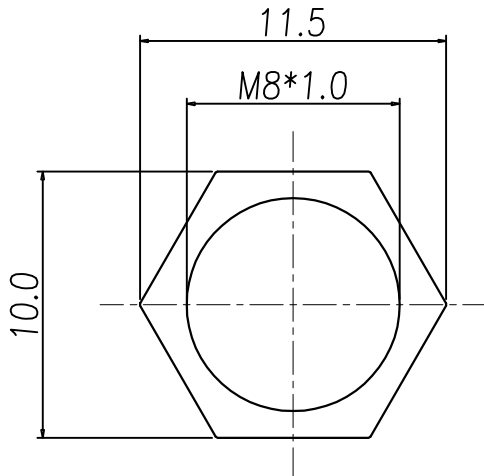
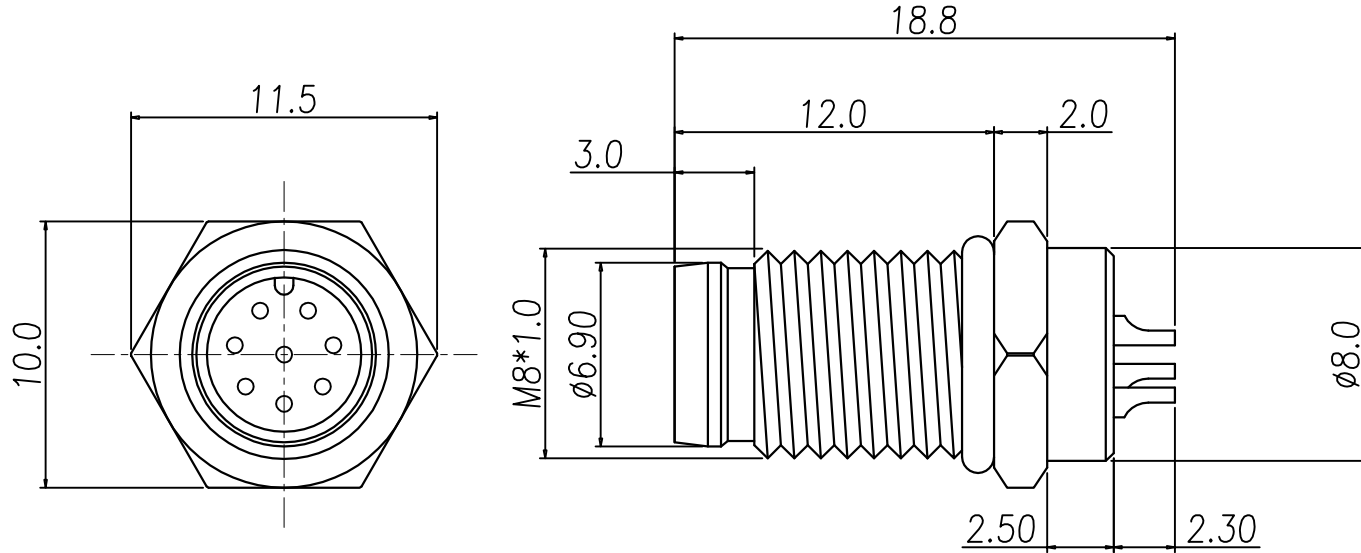


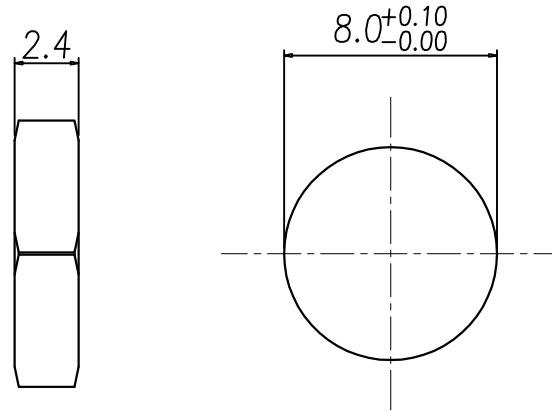
This document is the property of Nian-Yeong Corporation and is delivered on the express condition that it is not to be disclosed, reproduced or used, in whole or in part, for manufacture or sale by anyone other than Nian-Yeong Corporation without its prior consent, and that no right is granted to disclose or to use any information in this document.

CUSTOMER DRAWING

REV.	DESCRIPTION	APPROVED BY	DATE	ECN NO.
A	RELEASE	Emily Suen	23/11/15'	
B				
C				



NUT



RECOMMEND PANEL CUT-OUT

- MATERIAL :
  - 1-1. HOUSING : PA ; COLOR : BLACK
  - 1-2. CONTACT : BRASS.
  - 1-3. SHELL : BRASS
  - 1-4. O-RING : NBR ; COLOR : BLACK
  - 1-5. NUT : BRASS.
- FINISH :
  - 2-1. CONTACT : GOLD 10 MICROS INCHES MIN.
  - 2-2. SHELL : NICKEL PLATED.
  - 2-3. NUT : NICKEL PLATED.
- ELECTRICAL SPECIFICATION :
  - 3-1. Rated current : 1.5A
  - 3-2. Rated voltage : 30V
  - 3-3. Water proof : IP67
- Environmental :
  - 4-1. Operation Temperature : -40°C~105°C

DRAWN	Ku Chou	APPEND	Emily Suen	UNIT	mm	TOLERANCE	NIAN YEONG ENTERPRISE		TITLE	防水頭 M8 8PIN(M) 前鐵板M8*1.0 焊線式		SHEET	
CHOKED	Emily Suen			SCALE	1:1	.x ±0.20 .xx ±0.10 .xxx ±0.05 .xxxx ±0.03 ANGULA ±1°	年永實業有限公司		PART NO.	WP-08M2-73-11	DWG NO.	QC8239	VERSION A