

This document is the property of Nian-Yeong Corporation and is delivered on the express condition that it is not to be disclosed, reproduced or used, in whole or in part, for manufacture or sale by anyone other than Nian-Yeong Corporation without its prior consent, and that no right is granted to disclose or to use any information in this document.

CUSTOMER DRAWING

REV.	DESCRIPTION	APPROVED BY	DATE	ECN NO.
A	RELEASE	Fido Weng	14/02/09*	
B	新增料號	KU	18/07/18*	
C				

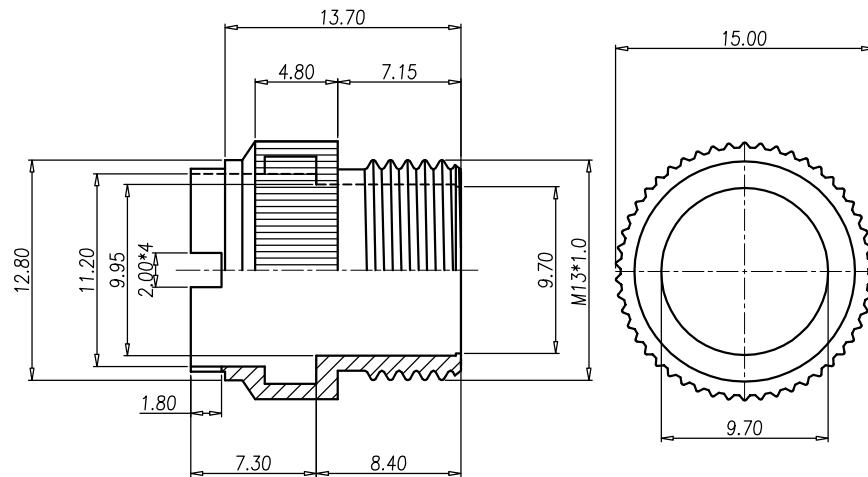
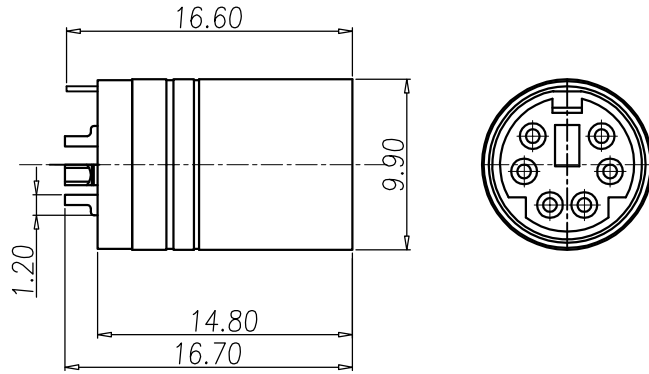


TABLE A

	MD-04F2-18-11
	MD-06F2-01
	MD-08F2-01-11

- MATERIAL :
 - HOUSING : PBT UL94V-0 ; COLOR : BLACK
 - CONTACT : PHOSPHOR BRONZE.
 - NUT : BRASS
 - SHELL : BRASS
 - SPRING : PHOSPHOR BRONZE
- FINISH :
 - CONTACT : GOLD FLASH MICRO INCHES MIN.
UNDER PLATE : NICKEL
 - NUT : NICKEL PLATED.
 - SHELL : NICKEL PLATED.
- ELECTRICAL SPECIFICATION :
 - Rated current : 2A
 - Rated Voltage : 12V
- Environmental :
 - Operation Temperature : -20°C~85°C

DRAWN	KU	APP'D	Fido Weng	UNIT	mm	TOLERANCE	NIAN YEONG ENTERPRISE		TITLE	M13 Mini din (F)			SHEET
CHK'D	LEO			SCALE	1:1	.x ±0.20 .xx ±0.10 .xxx ±0.05 .xxxx ±0.01 ANGULA ±1°		年永實業有限公司	PART NO.	SEE TABLE A	DWG NO.	QC6982	VERSION B