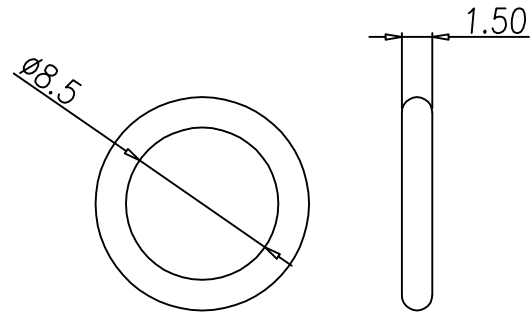
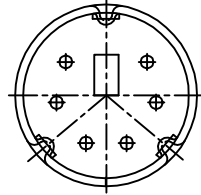
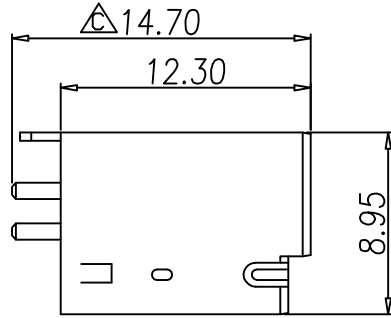


This document is the property of Nian-Yeong Corporation and is delivered on the express condition that it is not to be disclosed, reproduced or used, in whole or in part, for manufacture or sale by anyone other than Nian-Yeong Corporation without its prior consent, and that no right is granted to disclose or to use any information in this document.

CUSTOMER DRAWING

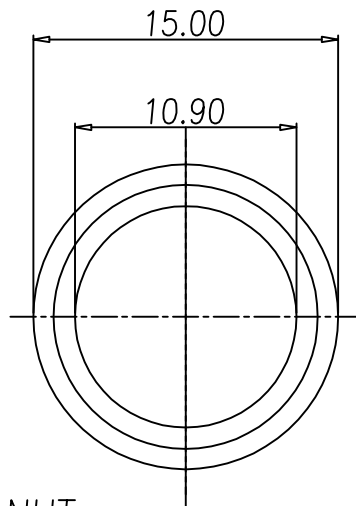
REV.	DESCRIPTION	APPROVED BY	DATE	ECN NO.
A	RELEASE	Fido Weng	14/02/09*	
B	新增料號	KU	18/07/18*	
C	CHANGE DIM.	Yeh	12/04/19*	



O-RING

TABLE A

MD-04M2-25-11	MD-05M2-18-11
MD-06M2-57 MD-06M2-74-11	MD-07M2-15-11
MD-08M2-36-11	



NUT

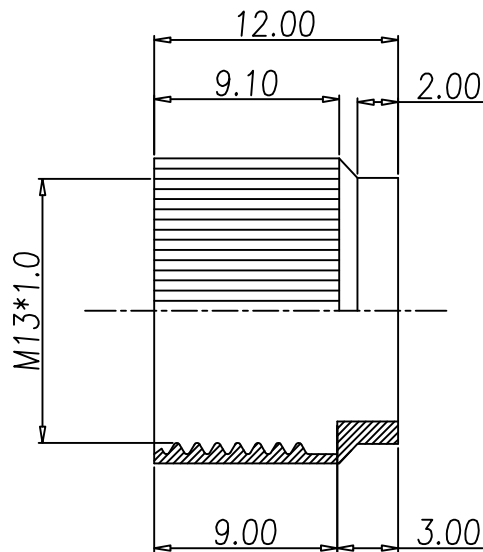


TABLE A

MD-08M2-36-11	GOLD FLASH
MD-06M2-74-11	SILVER
MD-06M2-57	GOLD FLASH
MD-04M2-25-11	GOLD FLASH
PART NO	FINISH

- MATERIAL :
 - HOUSING : PBT UL94V-0 ; COLOR : BLACK
 - CONTACT : BRASS.
 - NUT : BRASS
 - SHELL : BRASS
 - O-RING : NBR ; COLOR : BLACK
- FINISH :
 - CONTACT : SEE TABLE A.
UNDER PLATE : NICKEL
 - NUT : NICKEL PLATED.
 - SHELL : NICKEL PLATED.
- ELECTRICAL SPECIFICATION :
 - Rated current : 2A
 - Rated Voltage : 12V
 - Water proof: IP67
- Environmental :
 - Operation Temperature : -20°C~85°C

DRAWN	Ku Chou	APP'D	Fido Weng	UNIT	mm	TOLERANCE			TITLE	M13 Mini din (M) 焊線式			SHEET
CHK'D	Ku Chou			SCALE	1:1	.x ±0.20 .xx ±0.10 .xxx ±0.05 .xxxx ±0.01 ANGULA ±1°			PART NO.	SEE TABLE A	DWG NO.	QC6981	VERSION

NIAN YEONG ENTERPRISE
年永實業有限公司