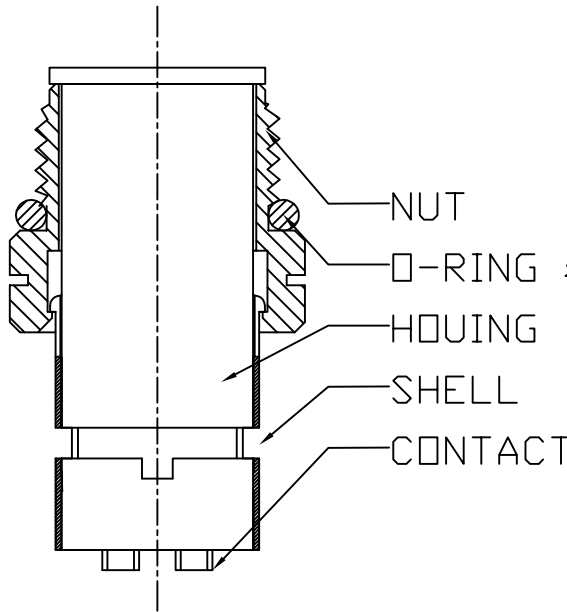
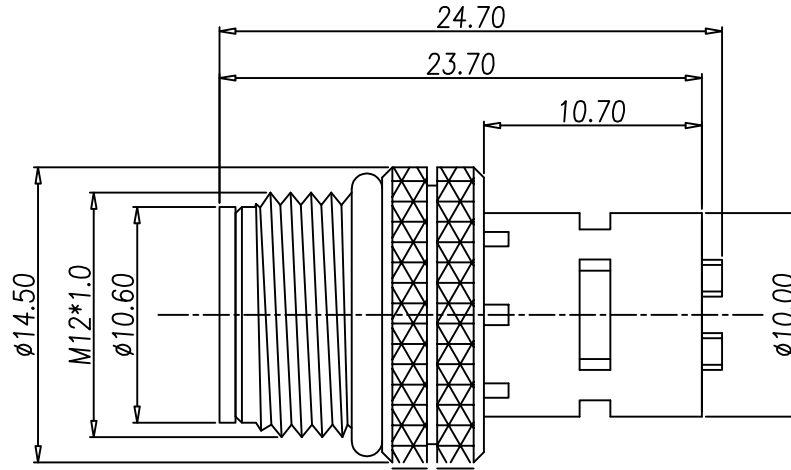
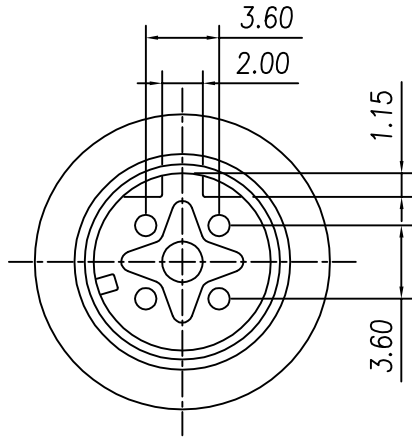


This document is the property of Nian-Yeong Corporation and is delivered on the express condition that it is not to be disclosed, reproduced or used, in whole or in part, for manufacture or sale by anyone other than Nian-Yeong Corporation without its prior consent, and that no right is granted to disclose or to use any information in this document.

CUSTOMER DRAWING

REV.	DESCRIPTION	APPVL. BY	DATE	ECN NO.
A	RELEASE	Fido Weng	30/10/11'	
B	新增料號	KU	27/12/18'	
C				



- MATERIAL :
 - 1-1. HOUSING : PBT UL94V-0 ; COLOR : BLACK
 - 1-2. CONTACT : BRASS
 - 1-3. NUT : BRASS
 - 1-4. O-RING : EPDM ; COLOR : BLACK
 - 1-5. SHELL : BRASS
- FINISH :
 - 2-1. CONTACT : SEE TABLE A
UNDER PLATE : NICKEL
 - 2-2. NUT : NICKEL PLATED.
 - 2-3. SHELL : BRIGHT TIN PLATED.
- ELECTRICAL SPECIFICATION :
 - 3-1. Rated current : 4A
 - 3-2. Rated Voltage : 4PIN 250V ; 5PIN 60V
 - 3-3. Water proof : IP67
- Environmental :
 - 4-1. Operation Temperature : -40°C~85°C

TABLE A

4PIN	5PIN
WP-04M2-67 WP-04M2-128-11	WP-05M2-134-11 WP-05M2-218-11
A WP-05M2-134-11	GOLD 10u"
WP-05M2-218-11	GOLD FLASH
WP-04M2-67	GOLD 10u"
WP-04M2-128-11	GOLD FLASH
PART NO	FINISH

DRAWN	Ku Chou	APP'D	Emily Suen	UNIT	mm	TOLERANCE		TITLE	防水頭 M12(M)D-CODE 接地焊線式			SHEET	1/2
CHK'D	Emily Suen			SCALE	1:1	.x ±0.20 .xx ±0.10 .xxx ±0.05 .xxxx ±0.03 ANGULA ±1°		PART NO.	SEE TABLE A	DWG NO.	QC5582	VERSION	B

NIAN YEONG ENTERPRISE
年永實業有限公司