

This document is the property of Nian-Yeong Corporation and is delivered on the express condition that it is not to be disclosed, reproduced or used, in whole or in part, for manufacture or sale by anyone other than Nian-Yeong Corporation without its prior consent, and that no right is granted to disclose or to use any information in this document.

CUSTOMER DRAWING

REV.	DESCRIPTION	APPROVED BY	DATE	ECN NO.
A	RELEASE	Fido Weng	19/09/18'	
B				
C				

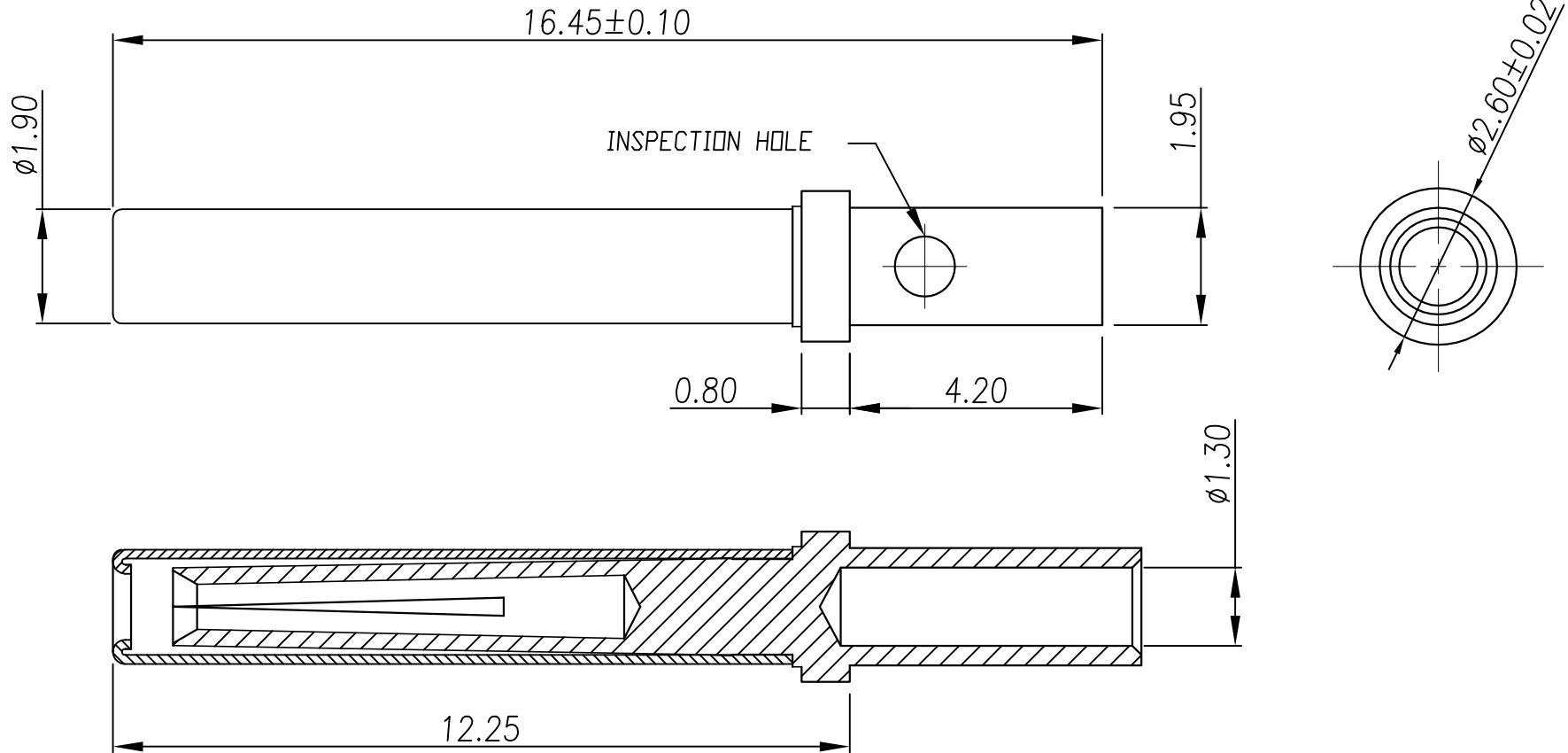


TABLE A

NY-WP1302-10	NICKEL PLATED / 鍍鎳
NY-WP1303-10	10u" GOLD PLATED / 鍍金10u"
PART No.	FINISH

- MATERIAL :
 - CONTACT : BRASS
 - SHELL : STAINLESS STEEL
- FINISH :
 - CONTACT : SEE TABLE A

DRAWN	Mark Kao	APPEND	Fido Weng	UNIT	mm	TOLERANCE	NIAN YEONG ENTERPRISE		TITLE	CONTACT SOCKET SIZE 20 (F) 半成品	SHEET			
CHOKED	Emily Suen			SCALE	1:1	.x ± 0.20 .xx ± 0.10 .xxx ± 0.05 .xxxx ± 0.03 ANGULA $\pm 1^\circ$	年永實業有限公司		PART NO.	SEE TABLE A	DWG NO.	QC8688	VERSION	A