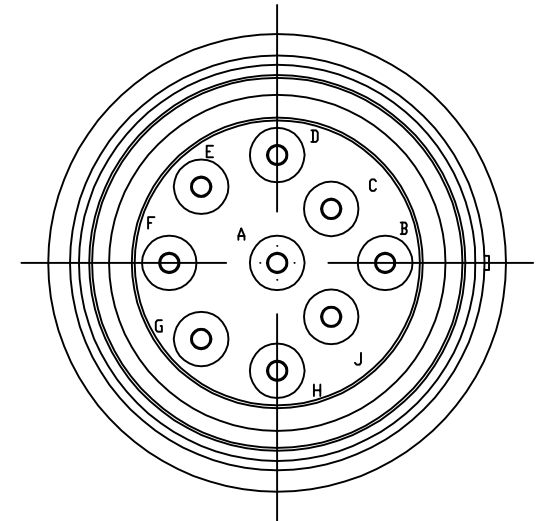
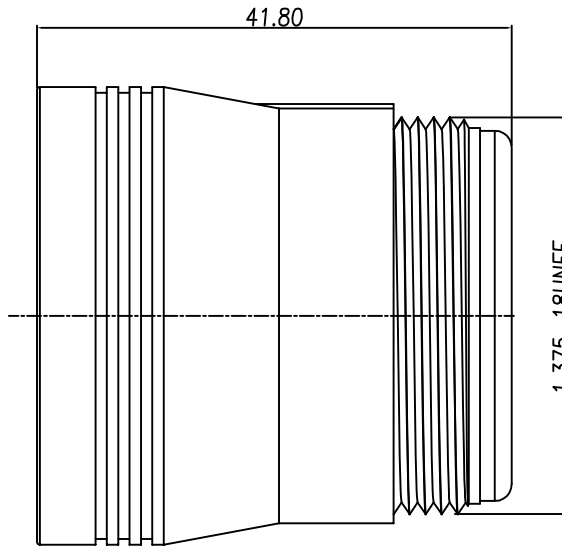
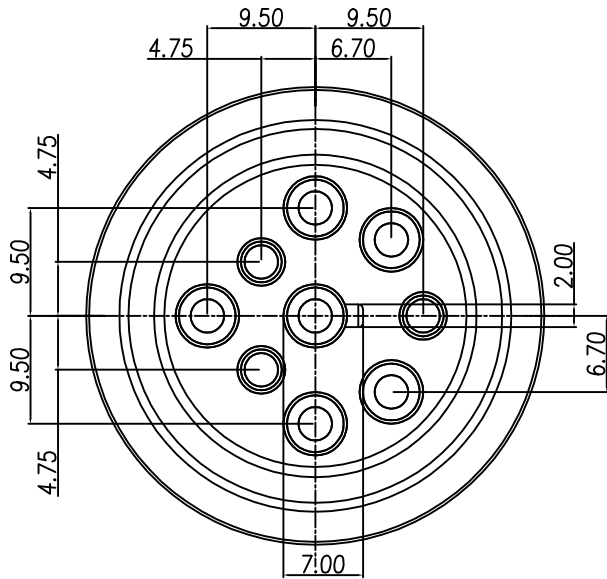


This document is the property of Nian-Yeong Corporation and is delivered on the express condition that it is not to be disclosed, reproduced or used, in whole or in part, for manufacture or sale by anyone other than Nian-Yeong Corporation without its prior consent, and that no right is granted to disclose or to use any information in this document.

# CUSTOMER DRAWING

REV.	DESCRIPTION	APPROVED BY	DATE	ECN NO.
A	RELEASE	Yeh Chou	2016/11/29	
B				
C				

1. MATERIAL :
  - 1-1. INSULATOR : PA66 ; COLOR : GREEN
  - 1-2. HOUSING : PA66 ; COLOR : BLACK
  - 1-3. REAR COVER : PA66 ; COLOR : GREEN
  - 1-4. RUBBER : SILICONE ; COLOR : ORANGE
2. ELECTRICAL SPECIFICATION :
  - 2-1. Rated current : 13A
  - 2-2. Rated Voltage : 500V
3. Environmental :
  - 3-1. Operation Temperature : -40°~105°



DRAWN	Yeh Chou	APP'D	Ku Chou	UNIT	mm	TOLERANCE		TITLE	防水9PIN(M)(1.375-1.8UNEF) 快插式 (雄)			SHEET
CHK'D	Yeh Chou			SCALE	1:1	.x ±0.20 .xx ±0.15 .xxx ±0.10 .xxxx ±0.05 ANGULA ±1°		PART NO.	WP-09M2-08-11	DWG NO.	QC7676	VERSION A

**NIAN YEONG ENTERPRISE**  
年永實業有限公司