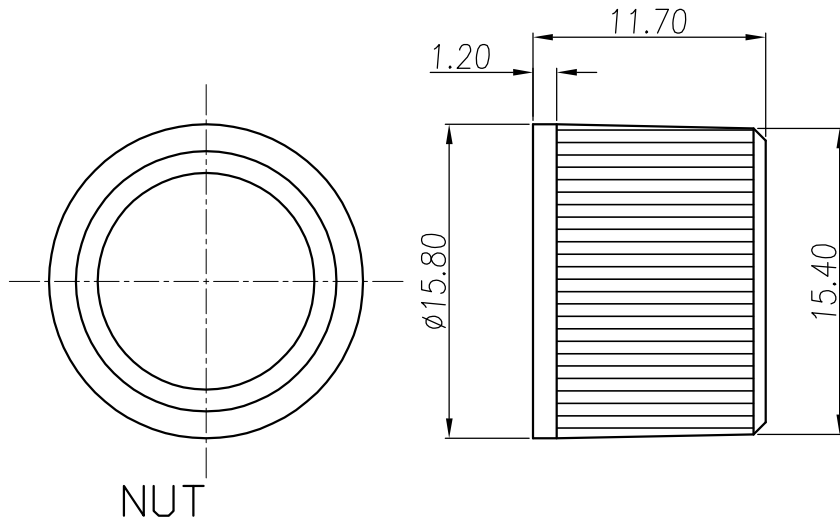
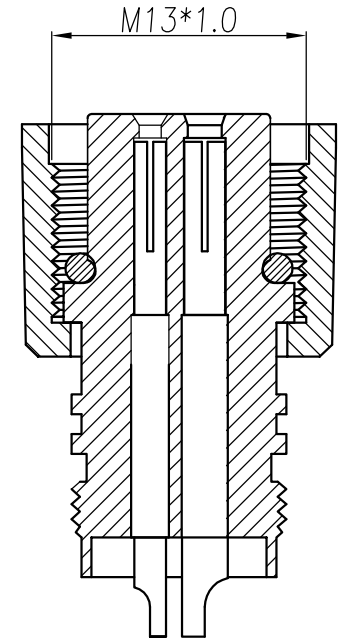
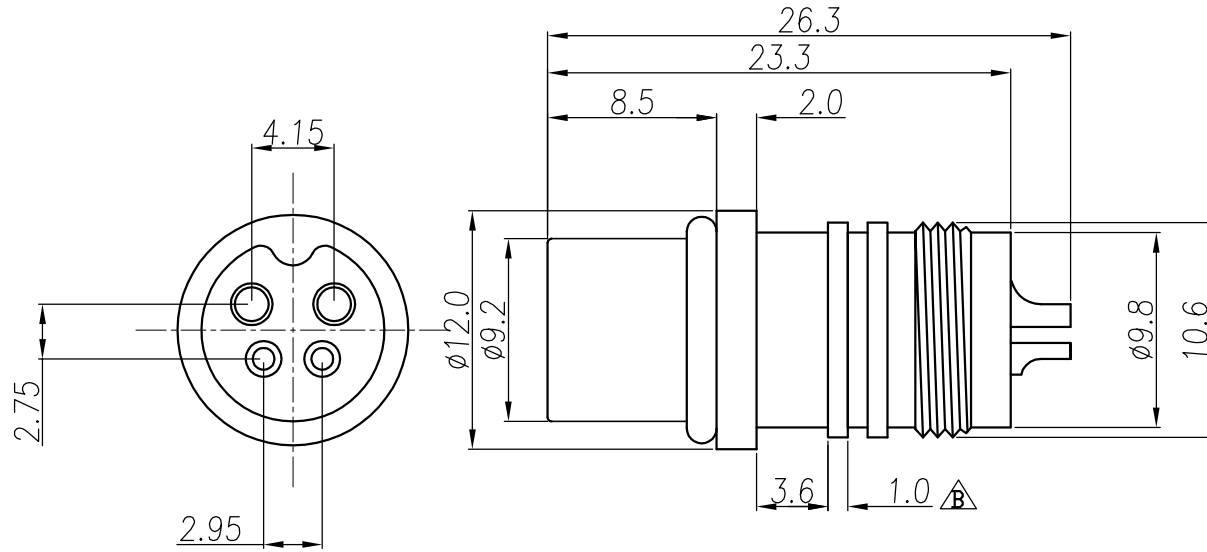


This document is the property of Nian-Yeong Corporation and is delivered on the express condition that it is not to be disclosed, reproduced or used, in whole or in part, for manufacture or sale by anyone other than Nian-Yeong Corporation without its prior consent, and that no right is granted to disclose or to use any information in this document.

# CUSTOMER DRAWING

REV.	DESCRIPTION	APPROVED BY	DATE	ECN NO.
A	RELEASE	Fido Weng	07/05/12'	
B	外觀&材質改變	Fido Weng	11/12/12'	ECN13007
C				



- MATERIAL :
  - 1-1. HOUSING : PBT ; COLOR : SEE TABLE A/B
  - 1-2. CONTACT : BRASS.
  - 1-3. NUT : SEE TABLE A.
  - 1-4. O-RING : SILCON ; COLOR : BLACK.
- FINISH :
  - 2-1. CONTACT : SEE TABLE A
  - 2-2. NUT : SEE TABLE A
- ELECTRICAL SPECIFICATION :
  - 3-1. Rated current : 10A & 3A
  - 3-2. Rated Voltage : 125V
  - 3-3. Water proof : IP67
- Environmental :
  - 4-1. Operation Temperature : -20°C~85°C

TABLE A/A

WP-04F2-170-11	PA66	GOLD FLASH		BLACK	BLACK
WP-04F2-90	BRASS	GOLD FLASH	NICKEL PLATED		WHITE
WP-04F2-91	BRASS	NICKEL PLATED	NICKEL PLATED		WHITE
WP-04F2-92	PA66	GOLD FLASH		WHITE	WHITE
WP-04F2-93	PA66	GOLD FLASH		RED	WHITE
PART NO.	MATERIAL(NUT)	PLATED(CONTACT)	PLATED(NUT)	COLOR(NUT)	COLOR(HOUSING)

DRAWN	APPEND	UNIT	SCALE	TOLERANCE	ANGULA	TITLE	PART NO.	DWG NO.	VERSION
Ku Chou	Emily Suen	mm	1:1	.x ±0.20 .xx ±0.10 .xxx ±0.05 .xxxx ±0.03	±1°	防水頭M13 4pin (F) 2+2 線端焊線式	SEE TABLE A	QC5936	B

