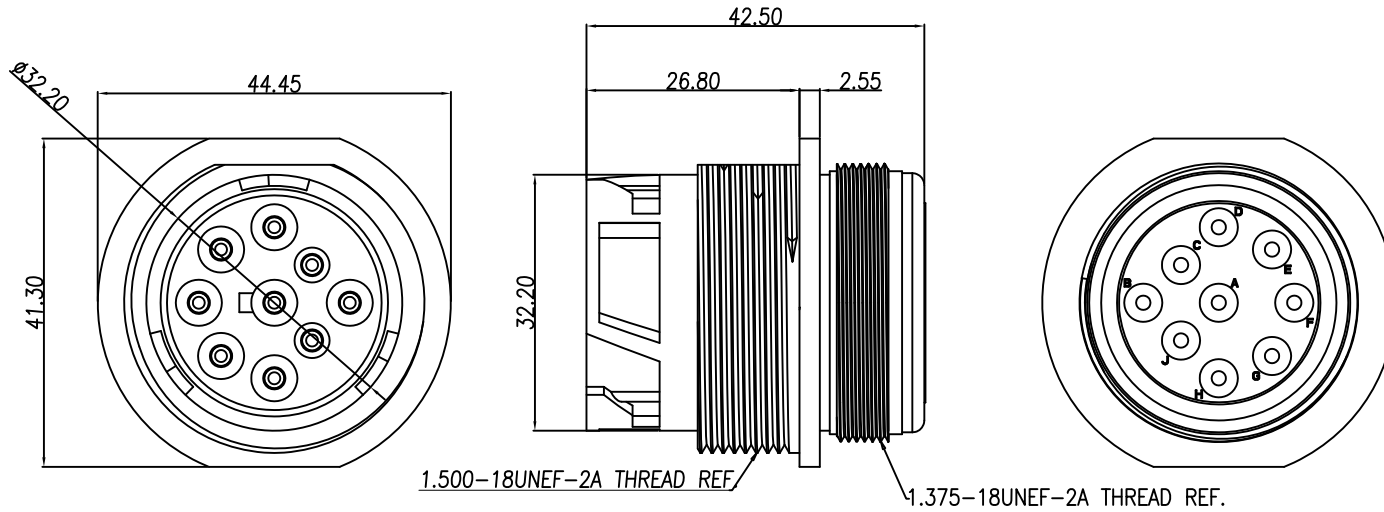


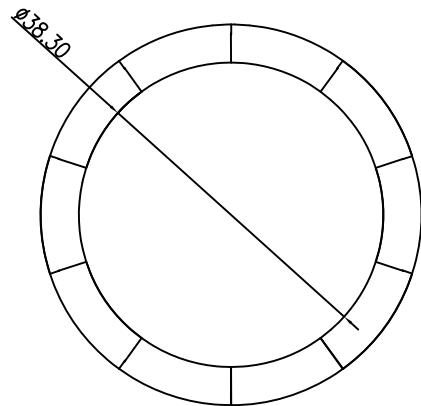
This document is the property of Nian-Yeong Corporation and is delivered on the express condition that it is not to be disclosed, reproduced or used, in whole or in part, for manufacture or sale by anyone other than Nian-Yeong Corporation without its prior consent, and that no right is granted to disclose or to use any information in this document.

# CUSTOMER DRAWING

REV.	DESCRIPTION	APPROVED BY	DATE	ECN NO.
A	RELEASE	Fido Weng	04/10/13*	
B				
C				



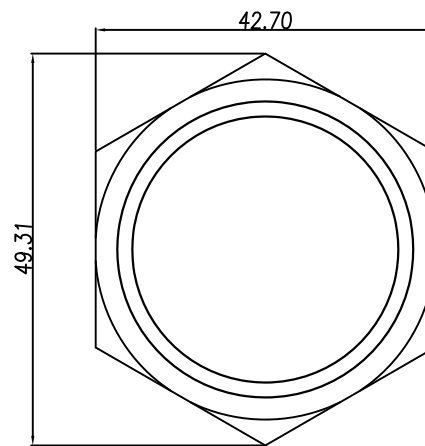
- MATERIAL :
  - 1-1. INSULATOR : PA66 ; COLOR : BLACK
  - 1-2. HOUSING : PA66 ; COLOR : BLACK
  - 1-3. REAR COVER : PA66 ; COLOR : BLACK
  - 1-4. HEX NUTS : PA66 ; COLOR : BLACK
  - 1-5. RUBBER : SILICONE ; COLOR : ORANGE
  - 1-6. WASHER : K7
- ELECTRICAL SPECIFICATION :
  - 2-1. Rated current : 13A
  - 2-2. Rated Voltage : 500V
  - 2-3. Water proof : IP67
- Environmental :
  - 3-1. Operation Temperature : -40°~105°



WASHER



NUT



RECOMMENDED MOUNTING HOLE

DRAWN	Yeh Chou	APP'D	Ku Chou	UNIT	mm	TOLERANCE	 <b>NIAN YEONG ENTERPRISE</b> 年永實業有限公司	TITLE	防水頭9PIN(F)前鎖 1.500-18UNEF-2A			SHEET	 A
CHK'D	Yeh Chou	SCALE	1:1			.x ±0.10 .xx ±0.05 .xxx ±0.03 .xxxx ±0.01 ANGULA ±1°		PART NO.	WP-09F2-03-01	DWG NO.	QC6359	VERSION	