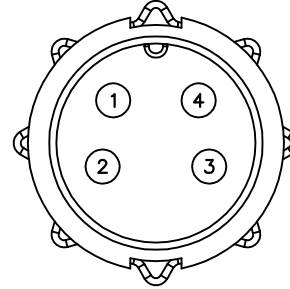
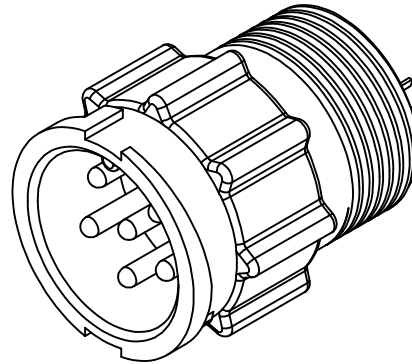
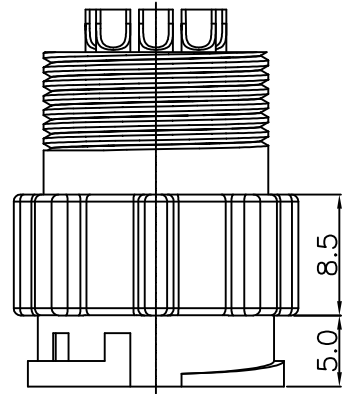


This document is the property of Nian-Yeong Corporation and is delivered on the express condition that it is not to be disclosed, reproduced or used, in whole or in part, for manufacture or sale by anyone other than Nian-Yeong Corporation without its prior consent, and that no right is granted to disclose or to use any information in this document.

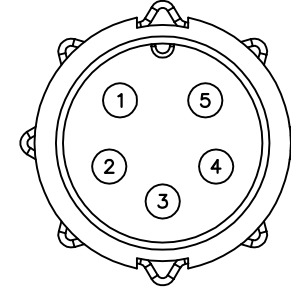
CUSTOMER DRAWING

REV.	DESCRIPTION	APPROVED BY	DATE	ECN NO.
A	RELEASE	Ku Chou	12/11/18*	
B				
C				

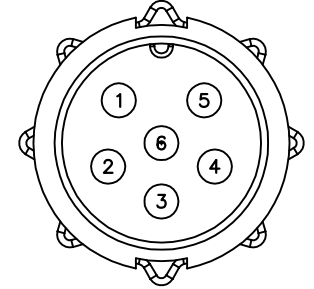
TABLE A



WP-04M2-175-11

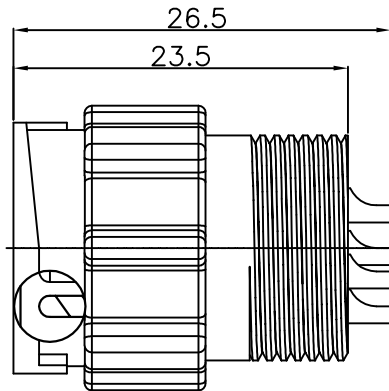
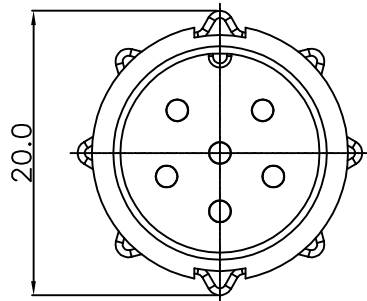


WP-05M2-156-11



06 PIN

Pin Assignments  
Front View



1. MATERIAL :
  - 1-1. HOUSING : PA66
  - 1-2. CONTACT : BRASS
2. FINISH :
  - 2-1. CONTACT : GOLD FLASH PLATED.
3. ELECTRICAL SPECIFICATION :
  - 3-1. Rated current : 10A
  - 3-2. Rated Voltage : 250V
  - 3-3. Water proof : IP67
4. Environmental :
  - 4-1. Operation Temperature : -20°C~80°C

DRAWN	Emily Suen	APP'D	Ku Chou	UNIT	mm	TOLERANCE		TITLE	WP C Size(M Conn. M PIN) Molded with Cabl(Lock Bayonet)			SHEET	
CHK'D	Ku Chou	SCALE	1:1			.x ±0.20 .xx ±0.10 .xxx ±0.05 .xxxx ±0.03 ANGULA ±1°		PART NO.	SEE TABLE A	DWG NO.	QC9081	VERSION	

NIAN YEONG ENTERPRISE  
年永實業有限公司