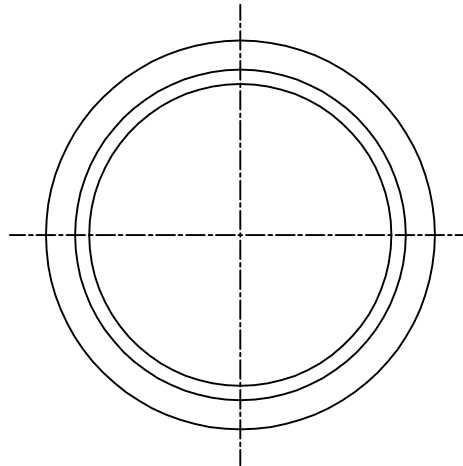
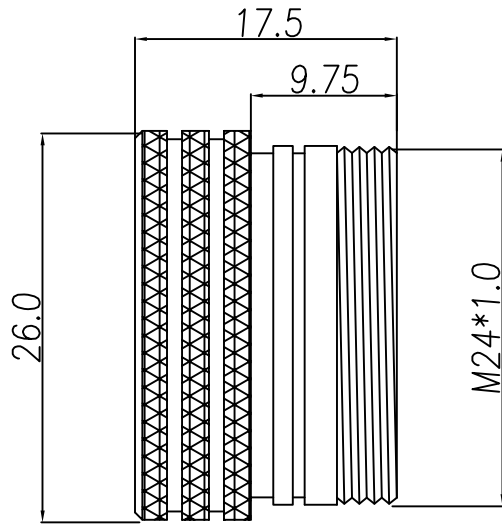
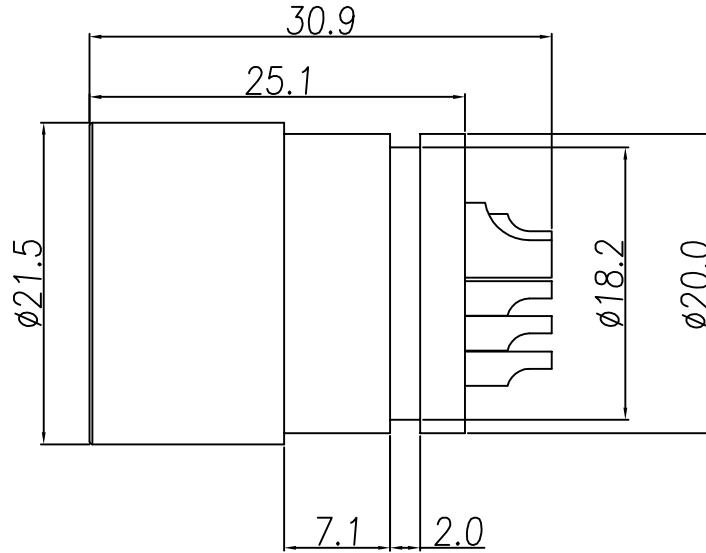
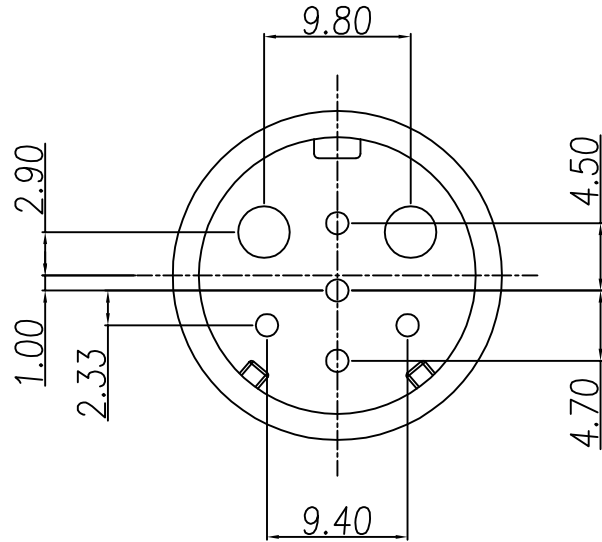


This document is the property of Nian-Yeong Corporation and is delivered on the express condition that it is not to be disclosed, reproduced or used, in whole or in part, for manufacture or sale by anyone other than Nian-Yeong Corporation without its prior consent, and that no right is granted to disclose or to use any information in this document.

# CUSTOMER DRAWING

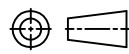
REV.	DESCRIPTION	APPVL. BY	DATE	ECN NO.
A	RELEASE	Fido Weng	08/04/13*	
B				
C				



NUT

- MATERIAL :
  - HOUSING : PBT UL94V-0 ; COLOR : BLACK
  - CONTACT : BRASS
  - NUT : BRASS
- FINISH :
  - CONTACT : GOLD FLASH MICRO INCHES MIN.  
UNDER PLATE : NICKEL
  - NUT : NICKEL PLATED.
- ELECTRICAL SPECIFICATION :
  - Rated current : 7.5A & 25A
  - Rated Voltage : 125V & 500V
  - Water proof : IPX7
- Environmental :
  - Operation Temperature : -40°C~85°C

DRAW	Ku Chou	APPVL	Emily Suen	UNIT	mm	TOLERANCE
CHECK	Ku Chou			SCALE	1:1	.x ±0.20 .xx ±0.10 .xxx ±0.05 .xxxx ±0.03 ANGULA ±1°



NIAN YEONG ENTERPRISE  
年永實業有限公司

TITLE	防水頭 M24 7PIN(M) 線端焊線式(2粗5細)			SHEET	1
PART NO.	WP-07M2-15-11	DWG NO.	QC9073	VERSION	A