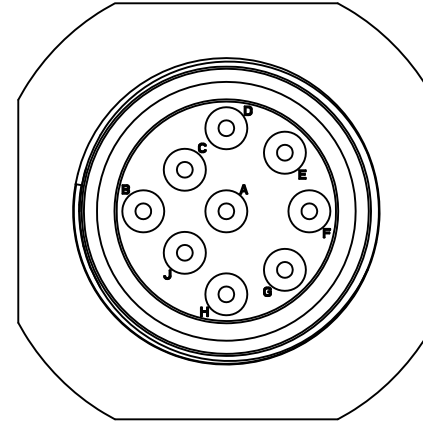
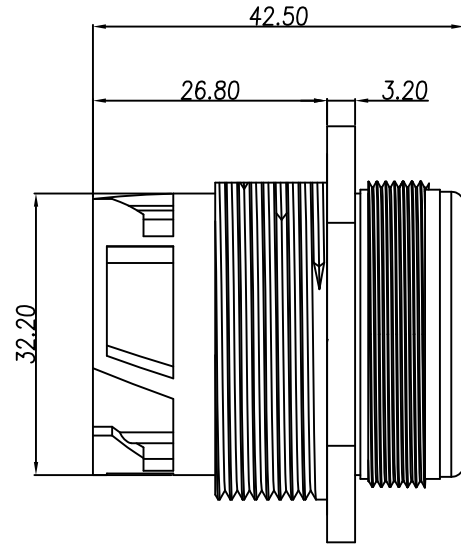
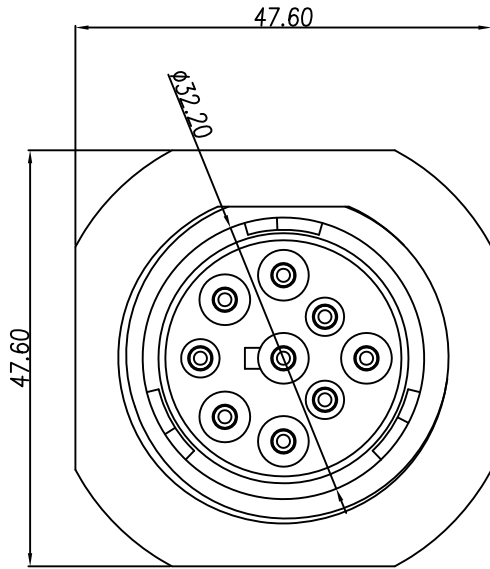


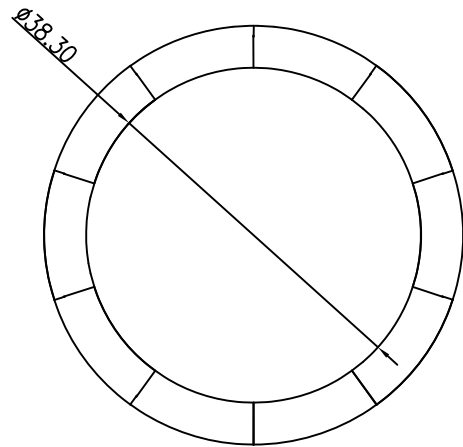
This document is the property of Nian-Yeong Corporation and is delivered on the express condition that it is not to be disclosed, reproduced or used, in whole or in part, for manufacture or sale by anyone other than Nian-Yeong Corporation without its prior consent, and that no right is granted to disclose or to use any information in this document.

CUSTOMER DRAWING

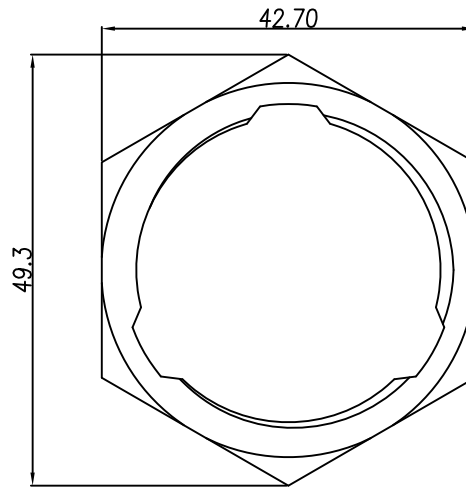
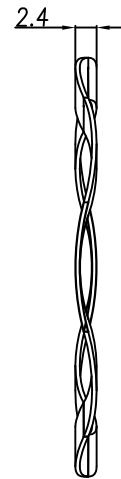
REV.	DESCRIPTION	APPROVED BY	DATE	ECN NO.
A	RELEASE	EMILY SUEN	03/01/11'	
B				
C				



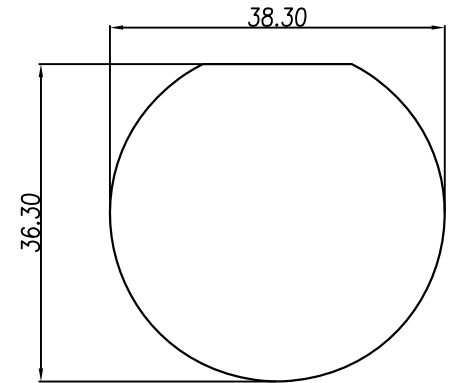
- MATERIAL :
 - 1-1. INSULATOR : PA66 ; COLOR : GREEN
 - 1-2. HOUSING : PA66 ; COLOR : BLACK
 - 1-3. REAR COVER : PA66 ; COLOR : GREEN
 - 1-4. NUT : PA66 ; COLOR : GREEN
 - 1-5. RUBBER : SILICONE ; COLOR : ORANGE
 - 1-6. WASHER : K7
- ELECTRICAL SPECIFICATION :
 - 2-1. Rated current : 13A
 - 2-2. Rated Voltage : 500V
 - 2-3. Water proof : IP67
- Environmental :
 - 3-1. Operation Temperature : -40~105°



WASHER



NUT



RECOMMENDED MOUNTING HOLE

DRAWN	Yeh Chou	APP'D	Ku Chou	UNIT	mm	TOLERANCE		TITLE	防水頭9PIN(F)前鎖 1.500-18UNEF-2A(53.7)(綠色)			SHEET	
CHK'D	Yeh Chou			SCALE	1:1	.x ±0.10 .xx ±0.05 .xxx ±0.03 .xxxx ±0.01 ANGULA ±1°		PART NO.	WP-09F2-09-11	DWG NO.	QC7816	VERSION	