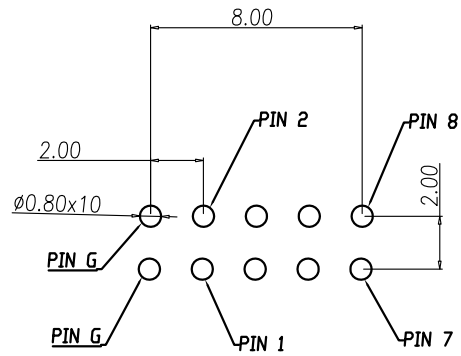


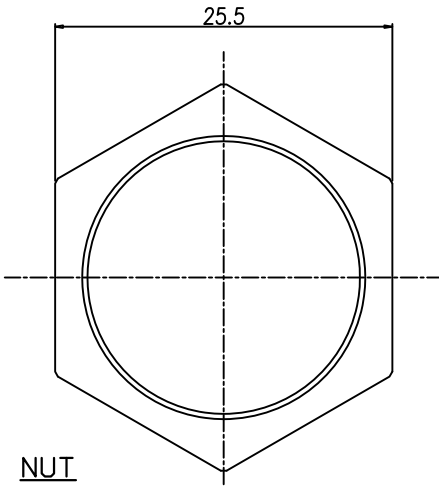
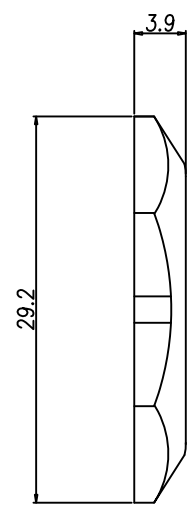
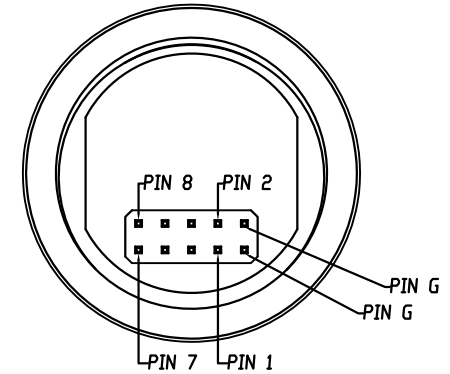
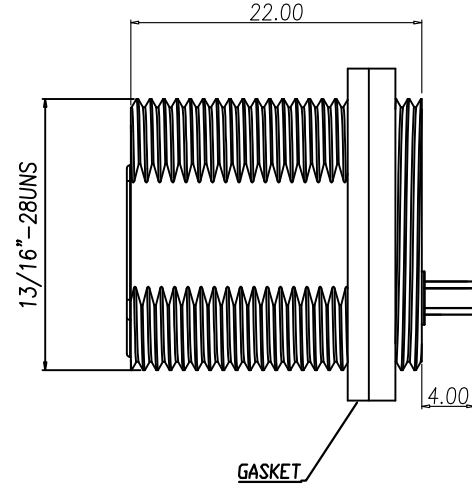
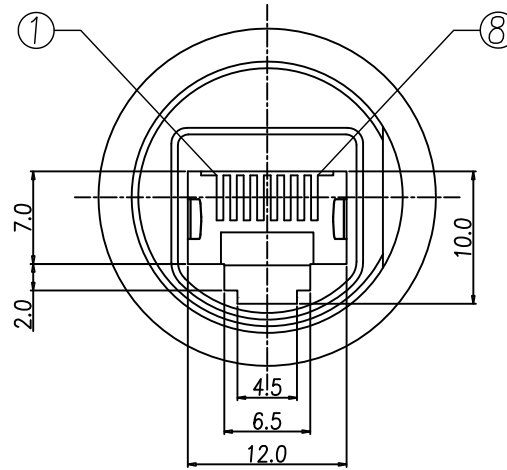
This document is the property of Nian-Yeong Corporation and is delivered on the express condition that it is not to be disclosed, reproduced or used, in whole or in part, for manufacture or sale by anyone other than Nian-Yeong Corporation without its prior consent, and that no right is granted to disclose or to use any information in this document.

CUSTOMER DRAWING

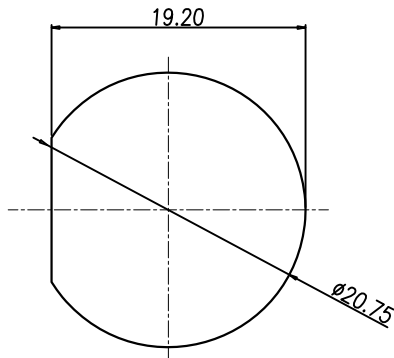
| REV. | DESCRIPTION                       | APPVL. BY | DATE      | ECN NO. |
|------|-----------------------------------|-----------|-----------|---------|
| A    | RELEASE                           | Yeh Chou  |           |         |
| B    | MODIFY MATERIAL & FINISH          | Yeh Chou  | 03/06/19" |         |
| C    | CHANGE PCB LAYOUT & ADD BACK VIEW | Yeh Chou  | 20/06/19" |         |



P.C.B LAYOUT (TOP VIEW)  
SCALE 2:1



NUT



Panel Cut-Out

- B.1. MATERIAL :**  
 1-1. HOUSING : PBT UL94V-0 ; COLOR : BLACK.  
 1-2. CONTACT : PHOSPHOR BRONZE  
 1-3. SHELL : PA66  
 1-4. GROUND : SUS 301  
 1-5. GASKET : SILICONE ; COLOR : BLACK.  
 1-6. NUT : PA66
- B.2. FINISH :**  
 2-1. CONTACT : GOLD FLASH MICRO INCHES MIN.
- 3. ELECTRICAL SPECIFICATION :**  
 3-1. Rated current : 1.5A  
 3-2. Rated Voltage : 125V  
 3-3. Water proof : IPX7
- 4. Environmental :**  
 4-1. Operation Temperature : -20°C~85°C

|       |            |       |           |       |     |  |  |                       |          |                         |         |        |         |
|-------|------------|-------|-----------|-------|-----|--|--|-----------------------|----------|-------------------------|---------|--------|---------|
| DRAW  | Ku Chou    | APPVL | Fido Weng | UNIT  | mm  | TOLERANCE  |  |                       | TITLE    | 防水RJ45 8PIN(F)(全線) 180度 |         |        | SHEET   |
| CHECK | Emily Suen |       |           | SCALE | 1:1 | .x ±0.20<br>.xx ±0.10<br>.xxx ±0.05<br>.xxxx ±0.03<br>ANGULA ±1° |  |                       | PART NO. | RJ-08F2-14-11           | DWG NO. | QC9129 | VERSION |
|       |            |       |           |       |     |  |  | NIAN YEONG ENTERPRISE |          |                         |         |        |         |
|       |            |       |           |       |     |  |  | 年永實業有限公司              |          |                         |         |        |         |