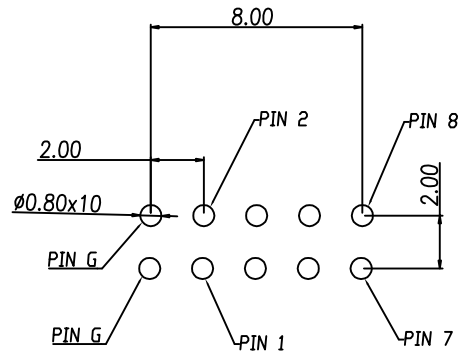


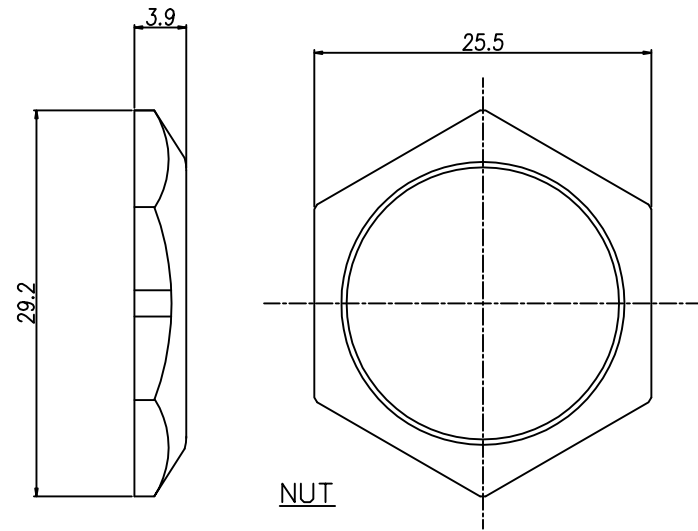
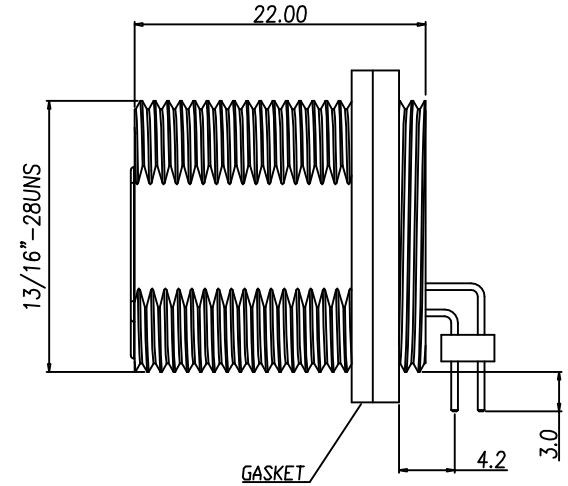
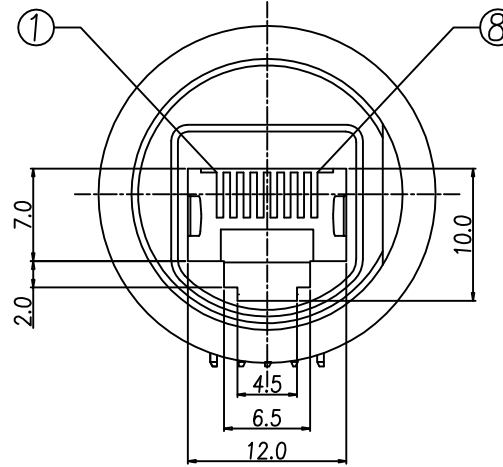
This document is the property of Nian-Yeong Corporation and is delivered on the express condition that it is not to be disclosed, reproduced or used, in whole or in part, for manufacture or sale by anyone other than Nian-Yeong Corporation without its prior consent, and that no right is granted to disclose or to use any information in this document.

CUSTOMER DRAWING

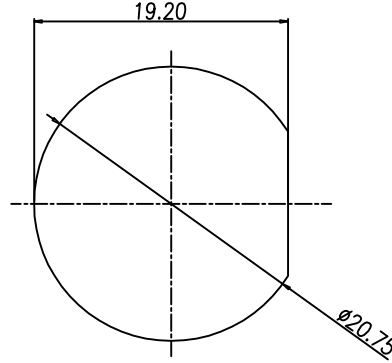
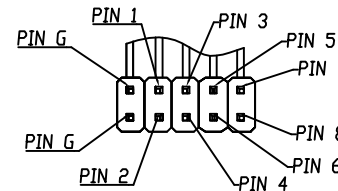
REV.	DESCRIPTION	APPVL. BY	DATE	ECN NO.
A	RELEASE	Yeh Chou		
B	MODIFY MATERIAL & FINISH	Yeh Chou	03/06/19"	
C	CHANGE PANLE CUT-OUT	Yeh Chou	21/06/19"	



P.C.B LAYOUT (TOP VIEW)  
SCALE 2:1



NUT



Panel Cut-Out

1. MATERIAL :
- 1-1. HOUSING : PBT UL94V-0 ; COLOR : BLACK.
  - 1-2. CONTACT : PHOSPHOR BRONZE
  - 1-3. SHELL : PA66
  - 1-4. GROUND : SUS 301
  - 1-5. GASKET : SILICONE ; COLOR : BLACK.
  - 1-6. NUT : PA66
2. FINISH :
- 2-1. CONTACT : GOLD FLASH MICRO INCHES MIN.
3. ELECTRICAL SPECIFICATION :
- 3-1. Rated current : 1.5A
  - 3-2. Rated Voltage : 125V
  - 3-3. Water proof : IPX7
4. Environmental :
- 4-1. Operation Temperature : -20℃~85℃

DRAW	Ku Chou	APPVL	Fido Weng	UNIT	mm	TOLERANCE			TITLE	防水RJ45 8PIN(F)(全鑄型) 90度			SHEET
CHECK	Emily Suen			SCALE	1:1	.x ±0.20 .xx ±0.10 .xxx ±0.05 .xxxx ±0.03 ANGULA ±1°			PART NO.	RJ-08F2-13-11	DWG NO.	QC9122	VERSION
								NIAN YEONG ENTERPRISE					
								年永實業有限公司					