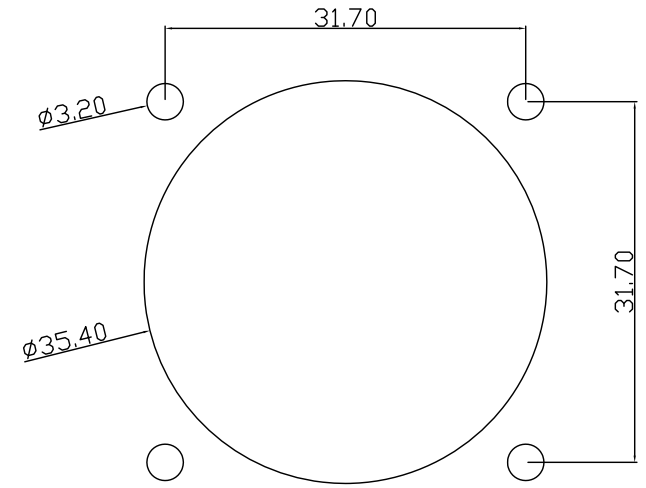


This document is the property of Nian-Yeong Corporation and is delivered on the express condition that it is not to be disclosed, reproduced or used, in whole or in part, for manufacture or sale by anyone other than Nian-Yeong Corporation without its prior consent, and that no right is granted to disclose or to use any information in this document.

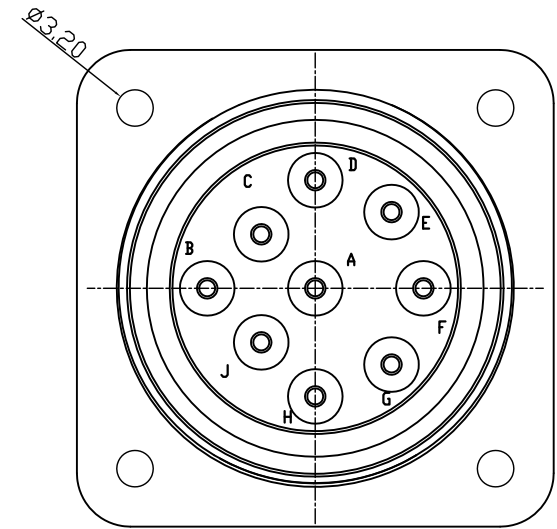
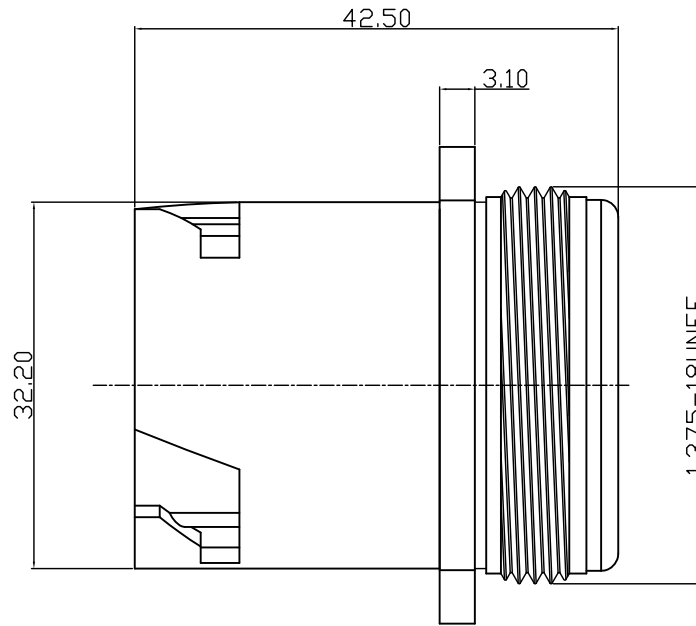
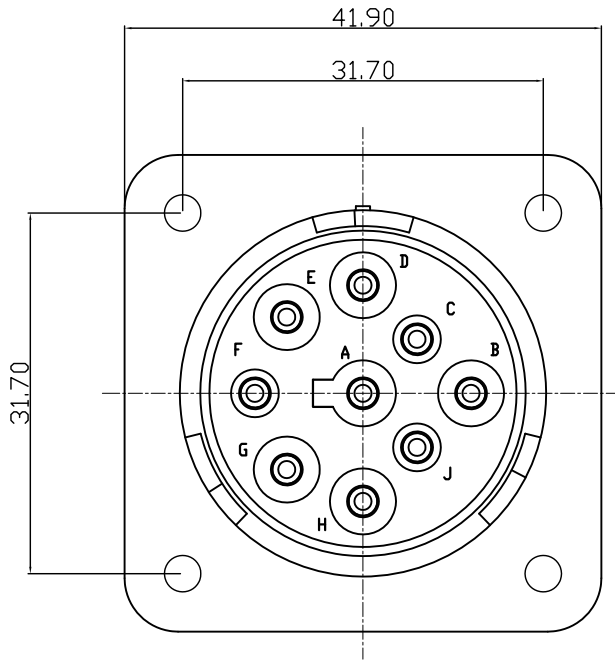
CUSTOMER DRAWING

REV.	DESCRIPTION	APPROVED BY	DATE	ECN NO.
A	RELEASE	EMILY SUEN	2017/06/05	
B				
C				

1. MATERIAL :
 - 1-1. INSULATOR : PA66 ; COLOR : GREEN
 - 1-2. HOUSING : PA66 ; COLOR : BLACK
 - 1-3. REAR COVER : PA66 ; COLOR : GREEN
 - 1-4. RUBBER : SILICONE ; COLOR : ORANGE
2. ELECTRICAL SPECIFICATION :
 - 2-1. Rated current : 13A
 - 2-2. Rated Voltage : 500V
3. Environmental :
 - 3-1. Operation Temperature : -40°~105°



MOUNTING HOLE DETAIL



DRAWN	Yeh Chou	APP'D	Ku Chou	UNIT	mm	TOLERANCE			TITLE	防水9PIN (F) 方型四孔(1.375-18UNEF)(綠色)			SHEET	
CHK'D	Yeh Chou			SCALE	1:1	.x ±0.10 .xx ±0.05 .xxx ±0.03 .xxxx ±0.01 ANGULA ±1°			PART NO.	WP-09F2-12-11	DWG NO.	QC7823	VERSION	
								NIAN YEONG ENTERPRISE						
								年永實業有限公司						