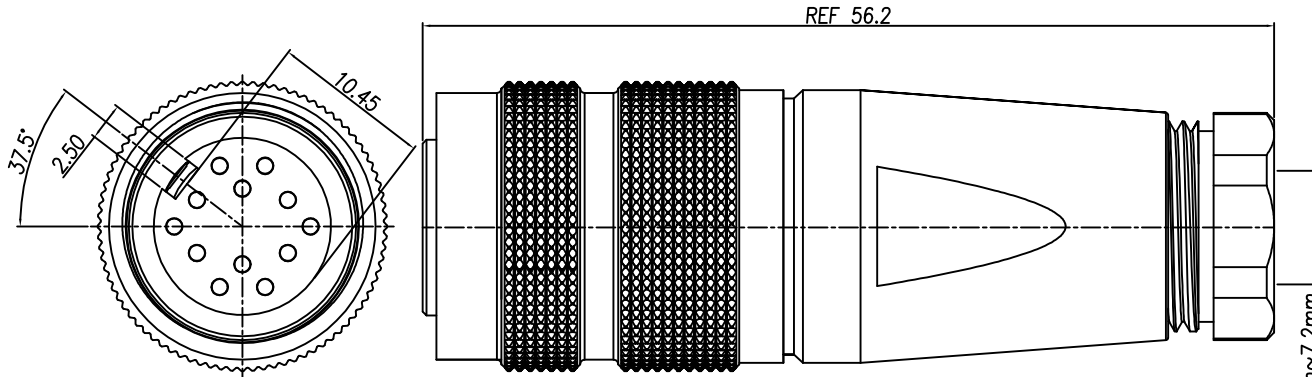


This document is the property of Nian-Yeong Corporation and is delivered on the express condition that it is not to be disclosed, reproduced or used, in whole or in part, for manufacture or sale by anyone other than Nian-Yeong Corporation without its prior consent, and that no right is granted to disclose or to use any information in this document.

CUSTOMER DRAWING

REV.	DESCRIPTION	APPROVED BY	DATE	ECN NO.
A	RELEASE	Emily Suen	23/08/12*	
B				
C				



1. MATERIAL :
- 1-1. HOUSING : NYLON UL94V-0 ; COLOR : BLACK
  - 1-2. CONTACT : BRASS
  - 1-3. MAIN BODY : ZINC ALLOY
  - 1-4. LOCK SHELL : BRASS
  - 1-5. SPRING : STAINLESS
  - 1-6. ISOLATION : PVC
  - 1-7. CLAMPS : ZINC ALLOY
  - 1-8. CLAMPS BODY : ZINC ALLOY
  - 1-9. SCREW : SPCC
  - 1-10. BACK BODY : BRASS
  - 1-11. O-RING 1 : SILICONE ; COLOR : RED
  - 1-12. GLAND : SILICONE COLOR : BLACK
  - 1-13. GLAND CAGE : POM ; COLOR : WHITE
  - 1-14. GLAND NUT : ALUMINUM ALLOY
  - 1-15. O-RING 2 : SILICONE ; COLOR : BLACK
2. FINISH :
- 2-1. CONTACT : CONTACT AREA : GOLD 10u"  
SOLDER AREA : TIN  
UNDER PLATE : NICKEL
  - 2-2. MAIN BODY : NICKEL PLATED
  - 2-3. LOCK SHELL : NICKEL PLATED
  - 2-4. CLAMPS : NICKEL PLATED
  - 2-5. CLAMPS BODY : NICKEL PLATED
  - 2-6. SCREW : NICKEL PLATED
  - 2-7. BACK BODY : NICKEL PLATED
  - 2-8. GLAND NUT : SATING NICKEL PLATED
3. ELECTRICAL SPECIFICATION :
- 3-1. Rated current :3A
  - 3-2. Rated Voltage :60V
  - 3-3. Water proof : IPX7
4. Environmental :
- 4-1. Operation Temperature : -20 °C~85°C

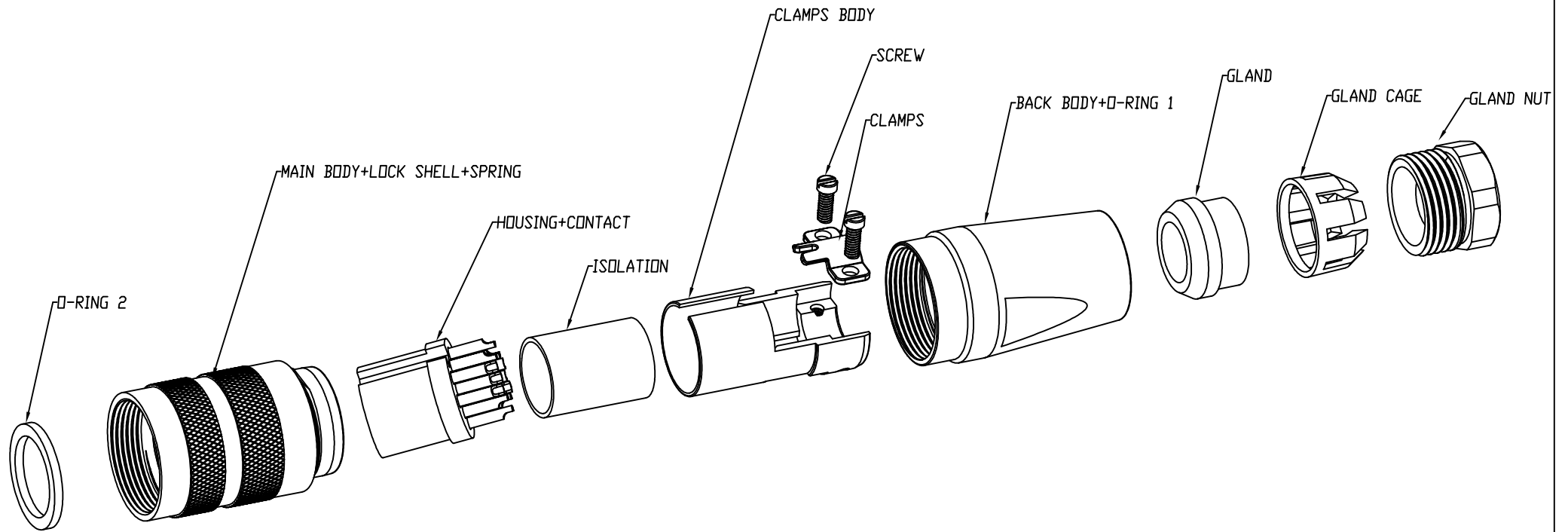
DRAWN	LED	APP'D	Ku Chou	UNIT	mm	TOLERANCE		TITLE	WP DIN (F) 12 PIN Assembly type			SHEET	
CHK'D	Emily Suen			SCALE	1:1	.x ±0.20 .xx ±0.10 .xxx ±0.05 .xxxx ±0.03 ANGULA ±1°			PART NO.	DI-12F2-11-11	DWG NO.	QC8464	1/3
								NIAN YEONG ENTERPRISE				VERSION	
								年永實業有限公司				A	

This document is the property of Nian-Yeong Corporation and is delivered on the express condition that it is not to be disclosed, reproduced or used, in whole or in part, for manufacture or sale by anyone other than Nian-Yeong Corporation without its prior consent, and that no right is granted to disclose or to use any information in this document.

CUSTOMER DRAWING

REV.	DESCRIPTION	APPROVED BY	DATE	ECN NO.
A	RELEASE	Emily Suen	23/08/12*	
B				
C				

ASSEMBLY INSTRUCTION



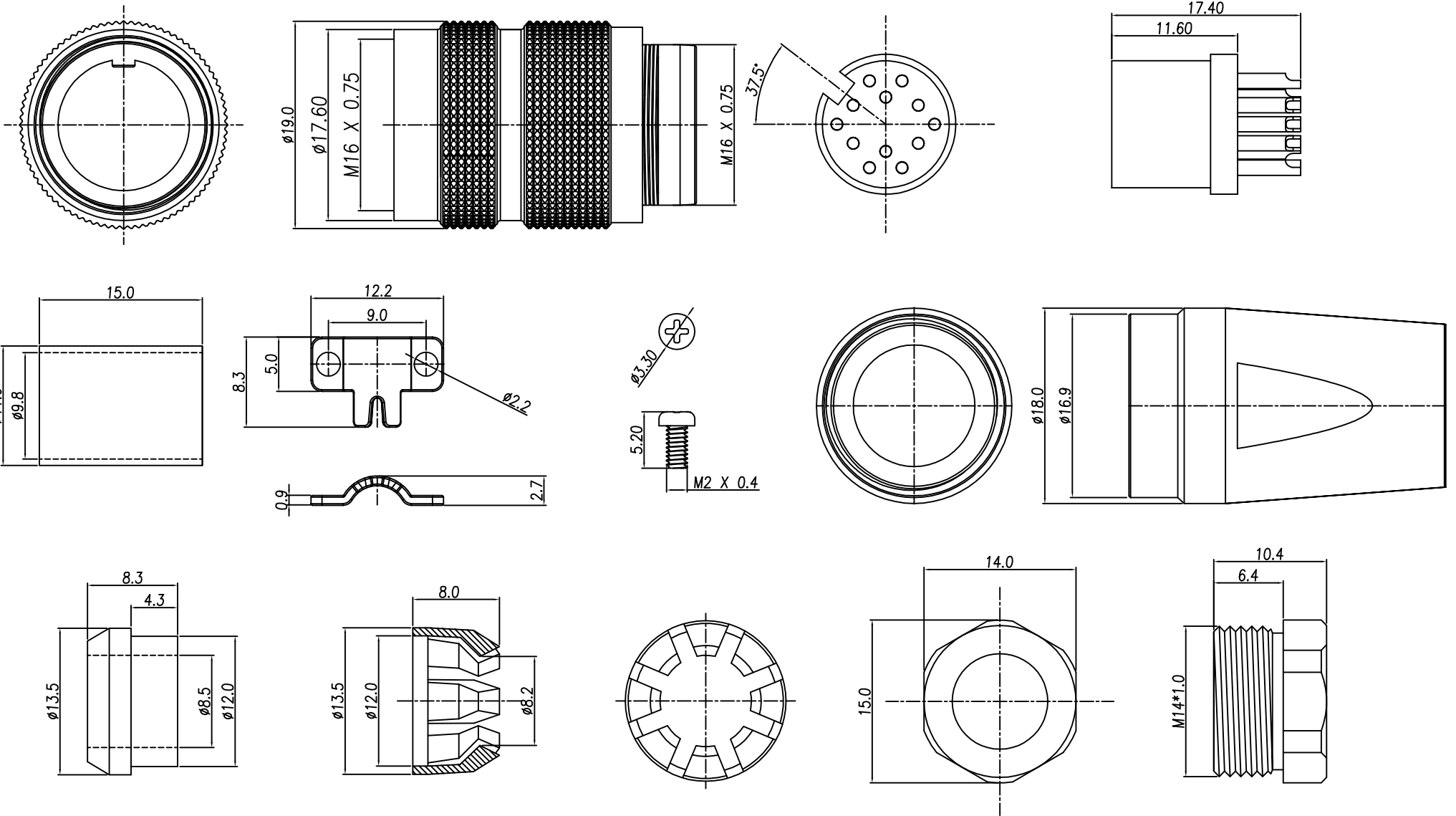
DRAWN	LED	APP'D	Ku Chou	UNIT	mm	TOLERANCE			TITLE	WP DIN (F) 12 PIN Assembly type			SHEET
CHK'D	Emily Suen			SCALE	1:1	.x ±0.20 .xx ±0.10 .xxx ±0.05 .xxxx ±0.03 ANGULA ±1°			PART NO.	DI-12F2-11-11	DWG NO.	QC8464	
									VERSION	A			

NIAN YEONG ENTERPRISE  
年永實業有限公司

This document is the property of Nian-Yeong Corporation and is delivered on the express condition that it is not to be disclosed, reproduced or used, in whole or in part, for manufacture or sale by anyone other than Nian-Yeong Corporation without its prior consent, and that no right is granted to disclose or to use any information in this document.

CUSTOMER DRAWING

REV.	DESCRIPTION	APPROVED BY	DATE	ECN NO.
A	RELEASE	Emily Suen	23/08/12*	
B				
C				



DRAWN	LED	APP'D	Ku Chou	UNIT	mm	TOLERANCE				TITLE	WP DIN (F) 12 PIN Assembly type			SHEET	3
CHK'D	Emily Suen			SCALE	1:1	.x ±0.20 .xx ±0.10 .xxx ±0.05 .xxxx ±0.03 ANGULA ±1°				PART NO.	DI-12F2-11-11	DWG NO.	QC8464	VERSION	A

NIAN YEONG ENTERPRISE  
年永實業有限公司