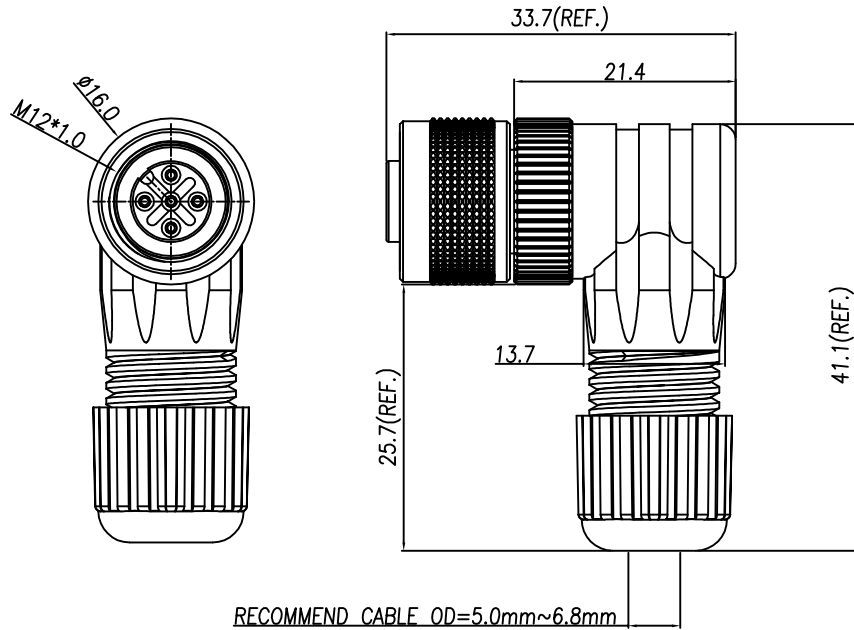


This document is the property of Nian-Yeong Corporation and is delivered on the express condition that it is not to be disclosed, reproduced or used, in whole or in part, for manufacture or sale by anyone other than Nian-Yeong Corporation without its prior consent, and that no right is granted to disclose or to use any information in this document.

CUSTOMER DRAWING



1. MATERIAL :

- 1-1. HOUSING : PA66 ; COLOR : BLACK.
- 1-2. CONTACT : BRASS
- 1-3. SHELL : BRASS
- 1-4. O-RING A : EPDM
- 1-5. NUT : BRASS
- 1-6. O-RING B : SILICONE
- 1-7. CLAMP RING : PA66
- 1-8. SEAL : SILICONE
- 1-9. SEALING NUT : PA66

2. FINISH :

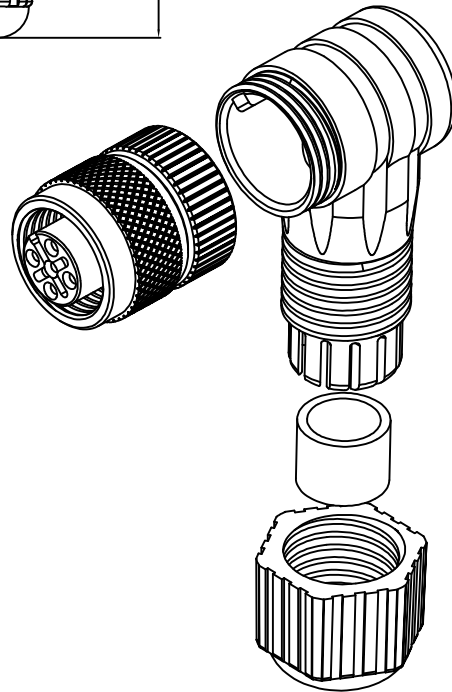
- 2-1. CONTACT : GOLD 10U" MICRO INCHES MIN.
- 2-2. NUT : NICKEL PLATED.
- 2-3. SHELL : NICKEL PLATED.

3. ELECTRICAL SPECIFICATION :

- 3-1. Rated current : 4A
- 3-2. Rated voltage : 2~4PIN 250V ; 5PIN 60V
- 3-3. Water proof : IP67

4. Environmental :

- 4-1. Operation Temperature : -40℃~105℃



REV.	DESCRIPTION	APPROVED BY	DATE	ECN NO.
A	RELEASE	Ku Chou	06/05/19*	
B				
C				

TABLE A

0° 5PIN WP-05F2-184-11	45° WP-05F2-185-11	90° WP-05F2-186-11	135° WP-05F2-187-11	180° WP-05F2-188-11
0° 4PIN WP-04F2-239-11	45° WP-04F2-240-11	90° WP-04F2-241-11	135° WP-04F2-242-11	180° WP-04F2-243-11
0° 3PIN WP-03F2-127-11	45° WP-03F2-128-11	90° WP-03F2-129-11	135° WP-03F2-130-11	180° WP-03F2-131-11
0° 2PIN WP-02F2-67-11	45° WP-02F2-68-11	90° WP-02F2-69-11	135° WP-02F2-70-11	180° WP-02F2-71-11

DRAWN	Emily Suen	APP'D	Ku Chou	UNIT	mm	TOLERANCE		TITLE	M12 (F) A-coded 90° Assembly type(塑膠本體)防呆轉向xx*			SHEET	1
CHK'D	Ku Chou	SCALE	1:1			.x ±0.20 .xx ±0.10 .xxx ±0.05 .xxxx ±0.03 ANGULA ±1°		PART NO.	SEE TABLE A	DWG NO.	QC9377	VERSION	A

NIAN YEONG ENTERPRISE
年永實業有限公司