

This document is the property of Nian-Yeong Corporation and is delivered on the express condition that it is not to be disclosed, reproduced or used, in whole or in part, for manufacture or sale by anyone other than Nian-Yeong Corporation without its prior consent, and that no right is granted to disclose or to use any information in this document.

CUSTOMER DRAWING

REV.	DESCRIPTION	APPROVED BY	DATE	ECN NO.
A	RELEASE	Fido Weng	13/02/17	
B				
C				

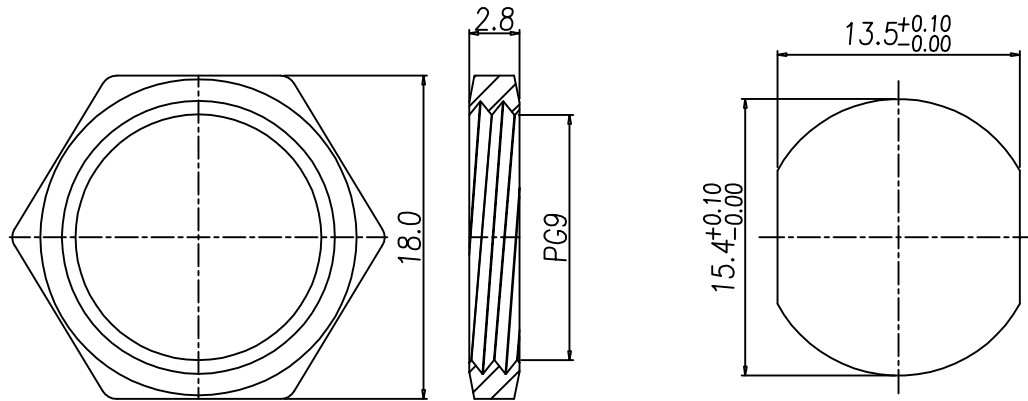
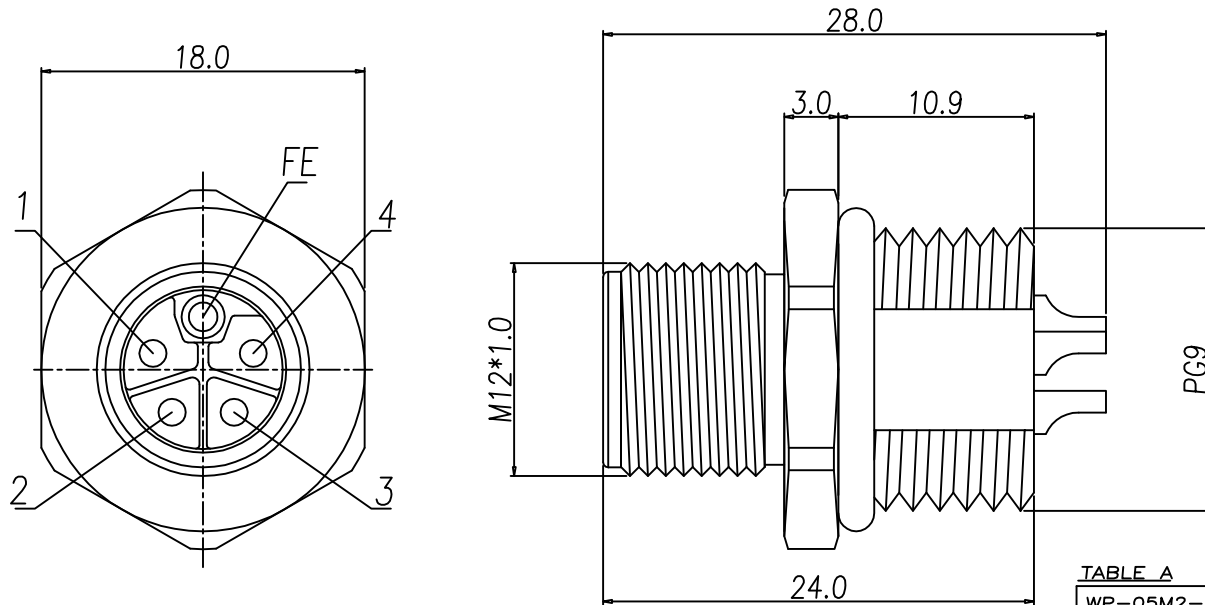


TABLE A

PART No.	MATERIAL(SHELL & NUT)	FINISH(SHELL & NUT)	FINISH(CONTACT)
WP-05M2-174-11	STAINLESS STEEL 316	-	10u" GOLD PLATED
WP-05M2-137-11	BRASS	NICKEL PLATED	GOLD FLASH PLATED

- MATERIAL :
 - HOUSING : PA66 UL94V-0 ; COLOR : BLACK
 - CONTACT : BRASS
 - NUT : SEE TABLE A
 - SHELL : SEE TABLE A
 - O-RING : EPDM
- FINISH :
 - CONTACT : SEE TABLE A
UNDER PLATE : NICKEL
 - NUT : SEE TABLE A
 - SHELL : SEE TABLE A
- ELECTRICAL SPECIFICATION :
 - Rated current : 16A
 - Rated voltage : 63V
 - Water proof : IP67/68
- Environmental :
 - Operation Temperature : -40°C~85°C

NUT

RECOMMEND PANEL CUT-OUT

DRAWN	Ku Chou	APPEND	Emily Suen	UNIT	mm	TOLERANCE	.x ±0.20 .xx ±0.10 .xxx ±0.05 .xxxx ±0.03 ANGULA ±1°	TITLE	M12 5PIN (4+FE) L-CODE (M) 後鎖PG9螺絲式	SHEET	1/1		
CHKD	Emily Suen	SCALE	1:1	ANGULA		YEAR	2017	PART NO.	SEE TABLE A	DWG NO.	QC8995	VERSION	A
 NIAN YEONG ENTERPRISE 年永實業有限公司													