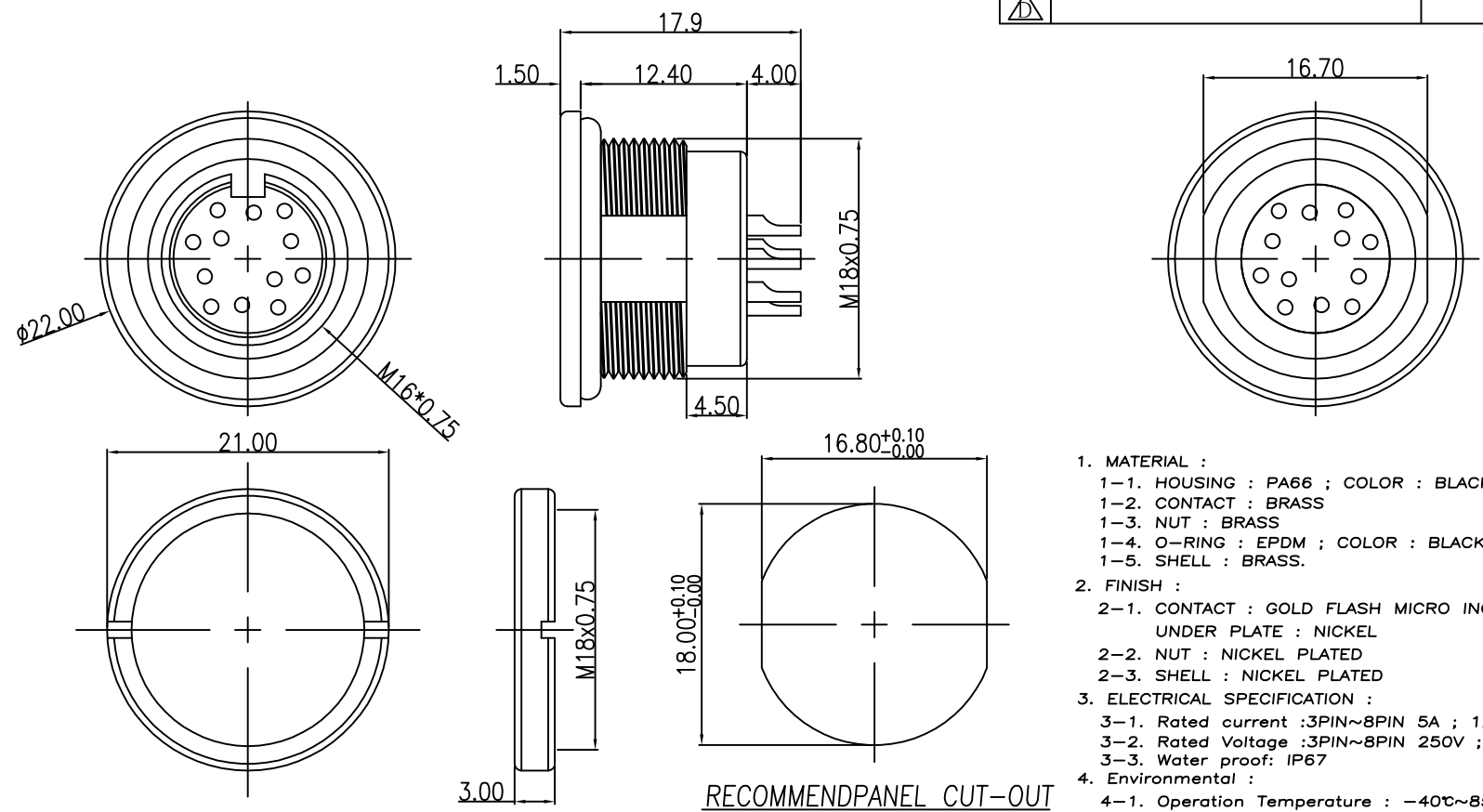


This document is the property of Nian-Yeong Corporation and is delivered on the express condition that it is not to be disclosed, reproduced or used, in whole or in part, for manufacture or sale by anyone other than Nian-Yeong Corporation without its prior consent, and that no right is granted to disclose or to use any information in this document.

CUSTOMER DRAWING

REV.	DESCRIPTION	APPROVED BY	DATE	ECN NO.
A	RELEASE	Emily Suen		
B				
C				
D				



- MATERIAL :
  - 1-1. HOUSING : PA66 ; COLOR : BLACK.
  - 1-2. CONTACT : BRASS
  - 1-3. NUT : BRASS
  - 1-4. O-RING : EPDM ; COLOR : BLACK
  - 1-5. SHELL : BRASS.
- FINISH :
  - 2-1. CONTACT : GOLD FLASH MICRO INCHES MIN.  
UNDER PLATE : NICKEL
  - 2-2. NUT : NICKEL PLATED
  - 2-3. SHELL : NICKEL PLATED
- ELECTRICAL SPECIFICATION :
  - 3-1. Rated current : 3PIN~8PIN 5A ; 12PIN~14PIN 3A
  - 3-2. Rated Voltage : 3PIN~8PIN 250V ; 12PIN~14PIN 60V
  - 3-3. Water proof: IP67
- Environmental :
  - 4-1. Operation Temperature : -40℃~85℃

RECOMMEND PANEL CUT-OUT

DI-03F2-16-11	DI-04F2-22-11	DI-05F2-27-11	DI-05F2-19-11	DI-06F2-27-11	DI-07F2-20-11	DI-07F2-19-11	DI-08F2-17-11	DI-12F2-16-11	DI-14F2-02-11

DRAWN	LEO	APPD	Ku Chou	UNIT	mm	TOLERANCE		TITLE	DIN M16 (F) 後鎖焊線式			SHEET	
CHK'D	Emily Suen			SCALE	1:1	.x ±0.20 .xx ±0.10 .xxx ±0.05 .xxxx ±0.03 ANGULA ±1°		PART NO.	SEE TABLE A	DWG NO.	QC9400	VERSION	

NIAN YEONG ENTERPRISE  
年永實業有限公司