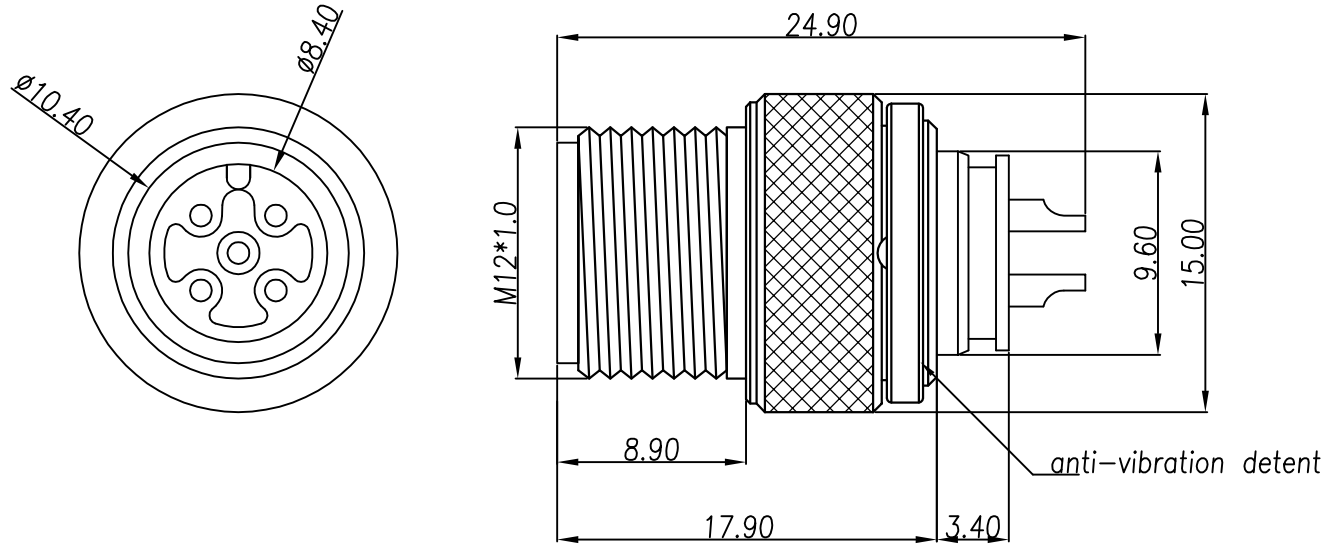


This document is the property of Nian-Yeong Corporation and is delivered on the express condition that it is not to be disclosed, reproduced or used, in whole or in part, for manufacture or sale by anyone other than Nian-Yeong Corporation without its prior consent, and that no right is granted to disclose or to use any information in this document.

CUSTOMER DRAWING

REV.	DESCRIPTION	APPVL. BY	DATE	ECN NO.
A	RELEASE	Fido Weng	18/02/14'	
B				
C				



WP-05M2-79-11 WP-05M2-88-11 WP-05M2-111-11	WP-04M2-141-11	WP-03M2-80-11

1. MATERIAL :
  - 1-1. HOUSING : PA66 ; COLOR : BLACK
  - 1-2. CONTACT : BRASS
  - 1-3. NUT : SEE TABLE A
2. FINISH :
  - 2-1. CONTACT : SEE TABLE A
  - 2-2. SHELL : SEE TABLE A
3. ELECTRICAL SPECIFICATION :
  - 3-1. Rated current : 4A
  - 3-2. Rated Voltage : 3~4PIN 250V ; 5PIN 60V
  - 3-3. Water proof : IP68
4. Environmental :
  - 4-1. Operation Temperature : -40℃~105℃

TABLE A/表A

WP-03M2-80-11	BRASS/NICKEL PLATED.	GOLD 10u"
WP-04M2-141-11	BRASS/NICKEL PLATED.	GOLD 10u"
WP-05M2-111-11	BRASS/NICKEL PLATED.	GOLD 10u"
WP-05M2-88-11	STAINLESS STEEL 303.	GOLD FLASH
WP-05M2-79-11	BRASS/NICKEL PLATED.	GOLD FLASH
PART NO.	NUT MATERIAL	CONTACT PLATED

DRAW	Ku Chou	APPVL	Emily Suen	UNIT	mm	TOLERANCE		TITLE	防水頭 M12 (M)A-CODE 止滑線式			SHEET	
CHECK	Emily Suen			SCALE	1:1	.x ±0.20 .xx ±0.10 .xxx ±0.05 .xxxx ±0.03 ANGULA ±1°		PART NO.	SEE TABLE A	DWG NO.	QC6587	VERSION	

NIAN YEONG ENTERPRISE  
年永實業有限公司