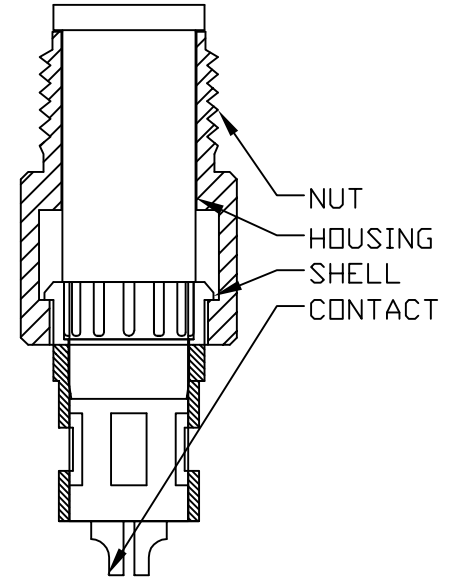
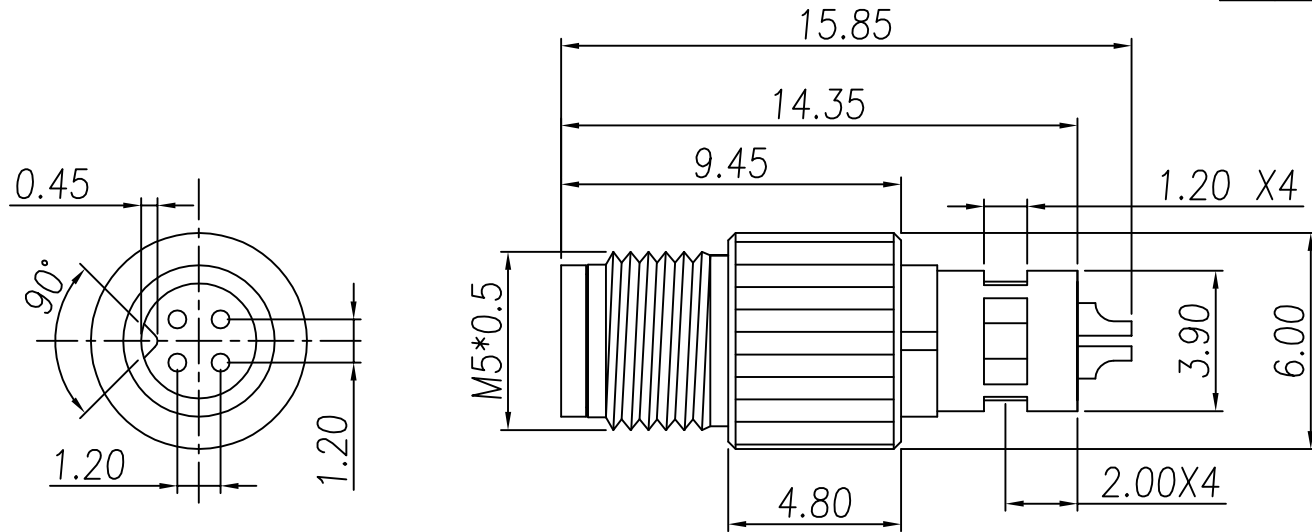


This document is the property of Nian-Yeong Corporation and is delivered on the express condition that it is not to be disclosed, reproduced or used, in whole or in part, for manufacture or sale by anyone other than Nian-Yeong Corporation without its prior consent, and that no right is granted to disclose or to use any information in this document.

CUSTOMER DRAWING

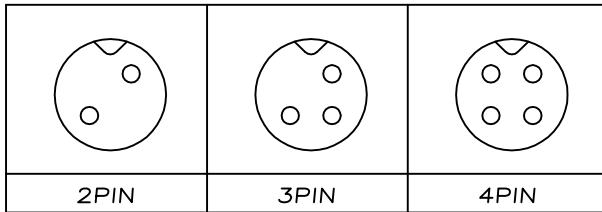
REV.	DESCRIPTION	APPROVED BY	DATE	ECN NO.
A	RELEASE	Fido Weng	01/10/10*	
B	尺寸變更	Emily Suen	15/08/12*	ECN019
C				



1. MATERIAL :
 - 1-1. HOUSING : SEE TABLE A.
 - 1-2. CONTACT : BRASS.
 - 1-3. NUT : BRASS
 - 1-4. SHELL : BRASS.
2. FINISH :
 - 2-1. CONTACT : GOLD FLISH MICRO INCHES MIN.
 - 2-2. NUT : SEE TABLE A
 - 2-3. SHELL : BRIGHT TIN PLATED .
3. ELECTRICAL SPECIFICATION :
 - 3-1. Rated current : 1A
 - 3-2. Rated Voltage : 60V
 - 3-3. Water proof : IP67
4. Environmental :
 - 4-1. Operation Temperature : -20 °C~85°C

TABLE A

WP-04M2-148-11	TPU ; COLOR : BLACK	GOLD FLASH	BLACK Cr
WP-04M2-114-11	TPU ; COLOR : BLACK	GOLD 10u"	SATING Ni
WP-03M2-57-11	TPU ; COLOR : BLACK	GOLD 10u"	SATING Ni
WP-02M2-38-11	TPU ; COLOR : BLACK	GOLD 10u"	SATING Ni
WP-03M2-50-11	TPU ; COLOR : BLACK	GOLD FLASH	SATING Ni
WP-02M2-36-11	TPU ; COLOR : BLACK	GOLD FLASH	SATING Ni
WP-04M2-47	TPU ; COLOR : BLACK	GOLD FLASH	SATING Ni
WP-04M2-72	PBT ; COLOR : BLACK	GOLD FLASH	SATING Ni
PART NO	MATERIAL(HOUSING)	FINISH(CONTACT)	FINISH(NUT)



DRAWN	Ku Chou	APP'D	Emily Suen	UNIT	mm	TOLERANCE			TITLE	M5-(M)線端焊線式+接地			SHEET	
CHK'D	Emily Suen	SCALE	1:1	ANGULA	±1°	.x ±0.20 .xx ±0.10 .xxx ±0.05 .xxxx ±0.03			PART NO.	SEE TABLE A	DWG NO.	QC5002	VERSION	