

This document is the property of Nian-Yeong Corporation and is delivered on the express condition that it is not to be disclosed, reproduced or used, in whole or in part, for manufacture or sale by anyone other than Nian-Yeong Corporation without its prior consent, and that no right is granted to disclose or to use any information in this document.

CUSTOMER DWAWING

REV.	DESCRIPTION	APPVL. BY	DATE	ECN NO.
A	RELEASE	Fido Weng	05/01/09*	
B	TABLE A & PCB LAYOUT	Fido Weng	06/07/09*	ECN09110
C				

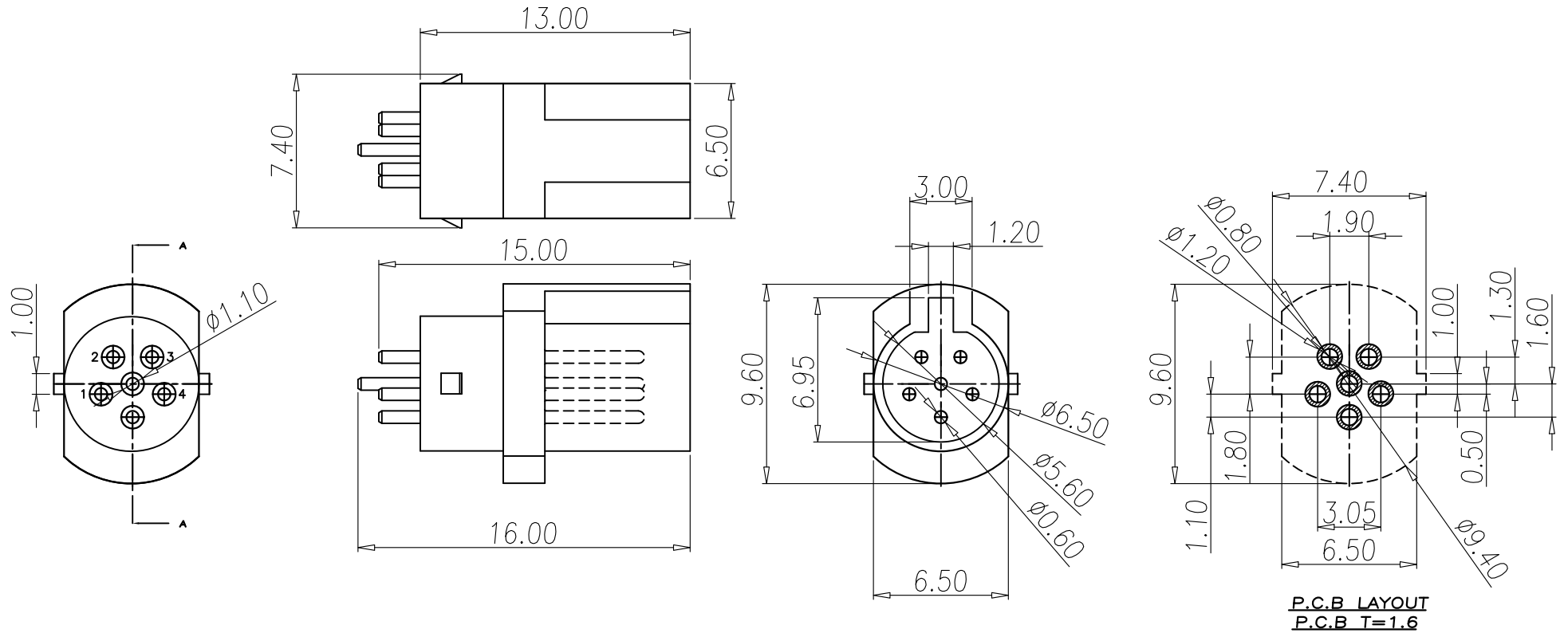


TABLE A

SPD-06M2-02	特6(M)成型式	NYLON
SPD-06M1-01	特6(M)成型式	PBT

NOTE.

- MATERIAL :
 - HOUSING : TABLE A ; COLOR : BLACK
 - CONTACT : COPPER ALLOY
- FINISH :
 - CONTACT : 30 MICRO INCHES MIN. SILVER PLATED

DRAWN	Mark Kao	APP'D	Ku Chou	UNIT	mm	TOLERANCE	NIAN YEONG ENTERPRISE		TITLE	特6(M)成型式	SHEET
CHK'D	Emily Suen			SCALE	1:1	.x ± 0.20 .xx ± 0.10 .xxx ± 0.05 .xxxx ± 0.03 ANGULA $\pm 1^\circ$	年永實業有限公司		PART NO.	SEE TABLE A	VERSION
									DWG NO.	QC1112	B