

This document is the property of Nian-Yeong Corporation and is delivered on the express condition that it is not to be disclosed, reproduced or used, in whole or in part, for manufacture or sale by anyone other than Nian-Yeong Corporation without its prior consent, and that no right is granted to disclose or to use any information in this document.

CUSTOMER DRAWING

REV.	DESCRIPTION	APPROVED BY	DATE	ECN NO.
A	RELEASE	Ku Chou	05/09/19*	
B				
C				

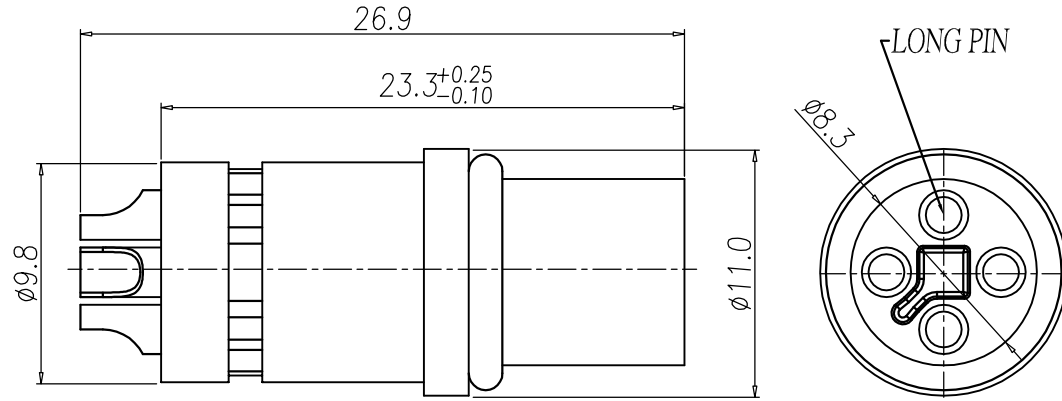
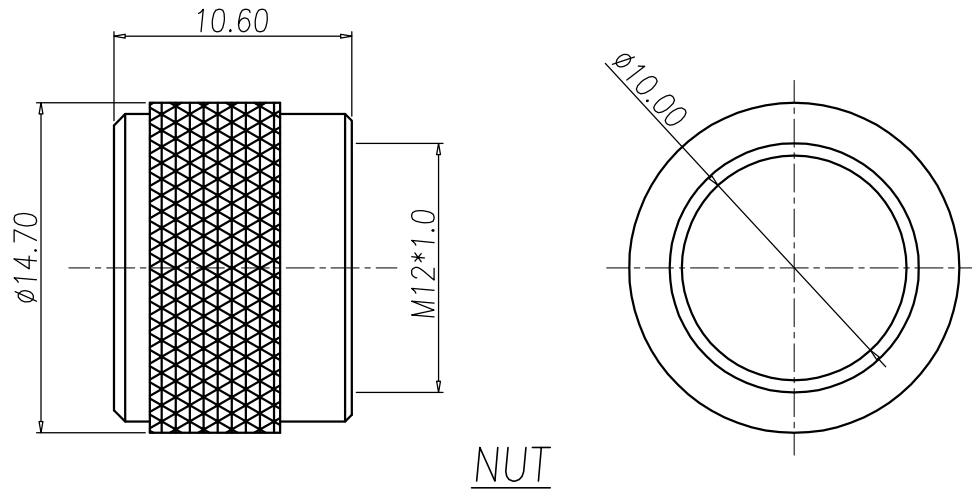


Table A

WP-04F2-252-11	WP-03F2-140-11	WP-02F2-80-11



- MATERIAL :
  - HOUSING : PA66 UL94V-0 ; COLOR : BLACK
  - CONTACT : BRASS
  - O-RING : EPDM
  - NUT : BRASS
- FINISH :
  - CONTACT : 10u" MIN. GOLD PLATED  
UNDER PLATE : NICKEL
  - NUT : NICKEL PLATED
- ELECTRICAL SPECIFICATION :
  - Rated current : 12A
  - Rated Voltage : 63V
  - Water proof: IP67/68
- Environmental :
  - Operation Temperature : -40°C~105°C

DRAWN	APP'D	UNIT	mm	TOLERANCE	TITLE	M12 T-CODING (F) 成形焊線式			SHEET	
Emily Suen	Ku Chou	SCALE	1:1	.x ±0.20 .xx ±0.10 .xxx ±0.05 .xxxx ±0.03 ANGULA ±1°	 NIAN YEONG ENTERPRISE 年永實業有限公司	PART NO.	SEE TABLE A	DWG NO.	QC9510	 VERSION A
CHK'D	Ku Chou									