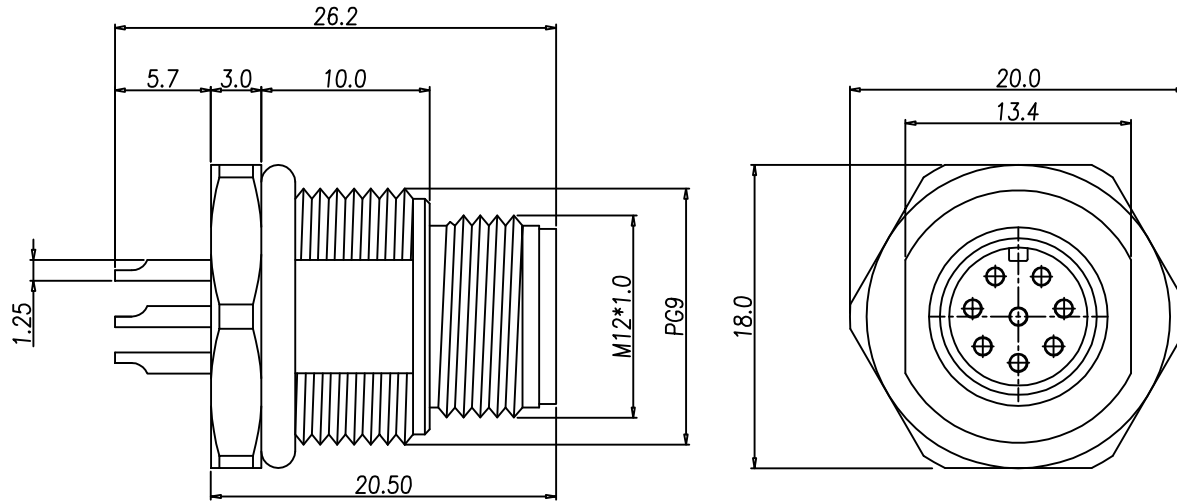


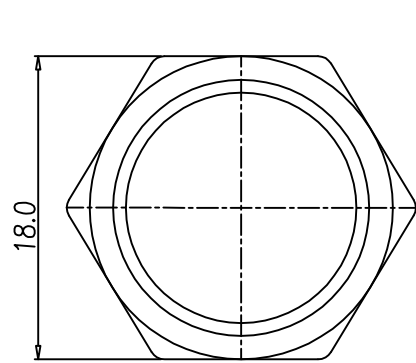
This document is the property of Nian-Yeong Corporation and is delivered on the express condition that it is not to be disclosed, reproduced or used, in whole or in part, for manufacture or sale by anyone other than Nian-Yeong Corporation without its prior consent, and that no right is granted to disclose or to use any information in this document.

# CUSTOMER DRAWING

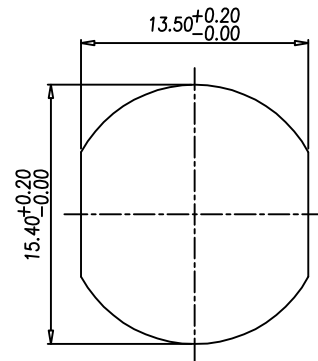
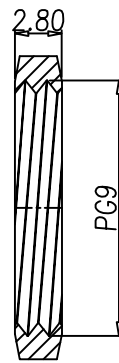
REV.	DESCRIPTION	APPROVED BY	DATE	ECN NO.
A	RELEASE	Fido Weng	01/07/13*	
B				
C				



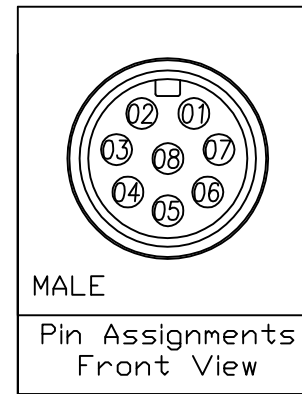
- MATERIAL :
  - HOUSING : PBT UL94V-0 ; COLOR : BLACK
  - CONTACT : BRASS
  - NUT : BRASS
  - SHELL : BRASS
  - O-RING : EPDM
- FINISH :
  - CONTACT : 10 MICRO INCHES MIN. GOLD PLATED  
UNDER PLATE : NICKEL
  - NUT : NICKEL PLATED
  - SHELL : NICKEL PLATED
- ELECTRICAL SPECIFICATION :
  - Rated current : 2A
  - Rated Voltage : 30V
  - Water proof : IPX7
- Environmental :
  - Operation Temperature : -40°C~85°C



NUT

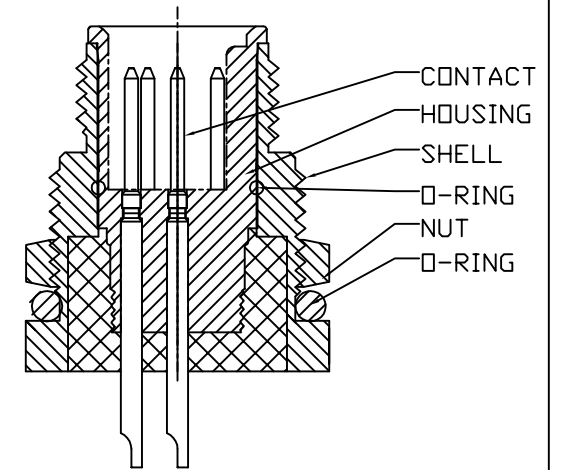


RECOMMEND PANEL CUT-OUT



MALE

Pin Assignments Front View



DRAWN	Ting	APPEND	Fido Weng	UNIT	mm	TOLERANCE		TITLE	M12 8PIN(M) 前端PG9 焊線式(洗雙邊/無溝槽/螺母雙倒角)			SHEET	1	
CHOKED	Emily Suen			SCALE	1:1	.x ±0.20 .xx ±0.10 .xxx ±0.05 .xxxx ±0.03 ANGULA ±1°			NIAN YEONG ENTERPRISE 年永實業有限公司	PART NO.	WP-08M2-36-11	DWG NO.	QC6235	VERSION