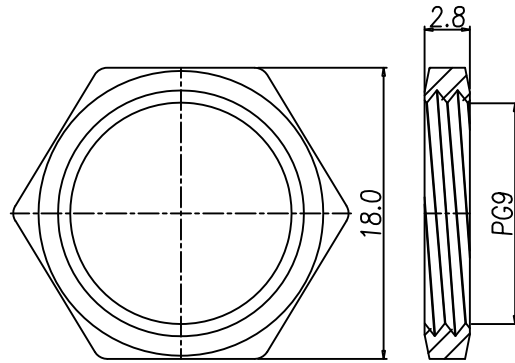
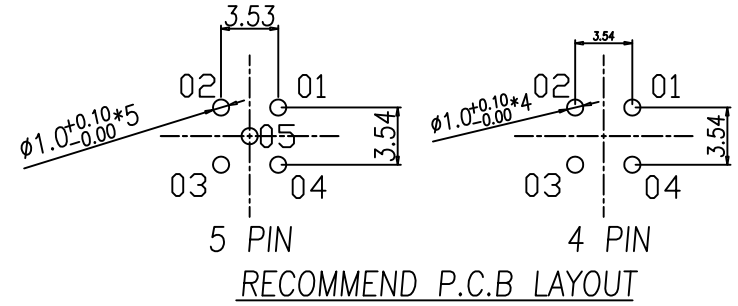
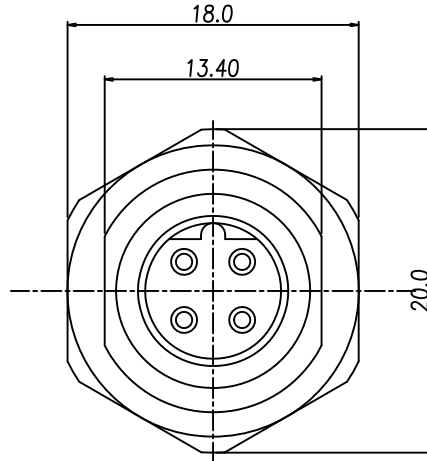
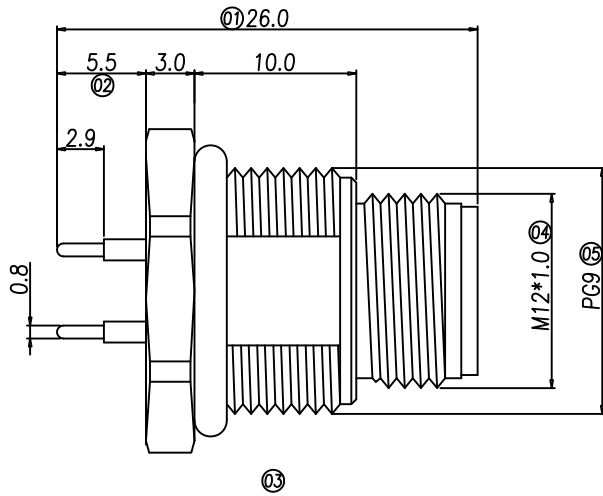


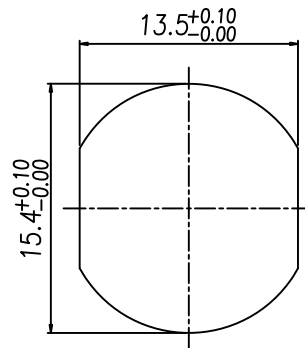
This document is the property of Nian-Yeong Corporation and is delivered on the express condition that it is not to be disclosed, reproduced or used, in whole or in part, for manufacture or sale by anyone other than Nian-Yeong Corporation without its prior consent, and that no right is granted to disclose or to use any information in this document.

# CUSTOMER DRAWING

REV.	DESCRIPTION	APPROVED BY	DATE	ECN NO.
A	RELEASE	Fido Weng	04/03/10*	
B				
C				

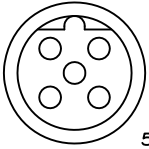
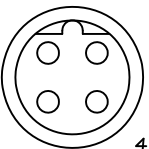


NUT



RECOMMEND PANEL CUT-OUT

TABLE A

	5PIN
WP-05M3-29-11	
	4PIN
WP-04M2-145-11	

- MATERIAL :
  - HOUSING : PBT UL94V-0 ; COLOR : BLACK
  - CONTACT : BRASS
  - NUT : BRASS
  - SHELL : BRASS
  - O-RING : EPDM
- FINISH :
  - CONTACT : 10 MICRO INCHES MIN. GOLD PLATED  
UNDER PLATE : NICKEL
  - NUT : NICKEL PLATED
  - SHELL : NICKEL PLATED
- ELECTRICAL SPECIFICATION :
  - Rated current : 4A
  - Rated Voltage : 4PIN 250V ; 5PIN 60V
  - Water proof : IP67
- Environmental :
  - Operation Temperature : -40°C~85°C

DRAWN	APPEND	UNIT	TOLERANCE	ANGULAR	TITLE	PART NO.	SHEET
Ku Chou	Fido Weng	mm	.x ±0.20 .xx ±0.10 .xxx ±0.05 .xxxx ±0.03	±1°	防水頭 M12 B-Code (M) 前鎖 PG9 插片式	SEE TABLE A	1/1
CHKED	Emily Suen	SCALE				DWG NO. QC7786	VERSION A

