

This document is the property of Nian-Yeong Corporation and is delivered on the express condition that it is not to be disclosed, reproduced or used, in whole or in part, for manufacture or sale by anyone other than Nian-Yeong Corporation without its prior consent, and that no right is granted to disclose or to use any information in this document.

# CUSTOMER DRAWING

| REV. | DESCRIPTION | APPROVED BY | DATE      | ECN NO. |
|------|-------------|-------------|-----------|---------|
| A    | RELEASE     | Fido Weng   | 12/04/06* |         |
| B    | ADD P/N     | Ku Chou     | 12/11/19* |         |
| C    |             |             |           |         |

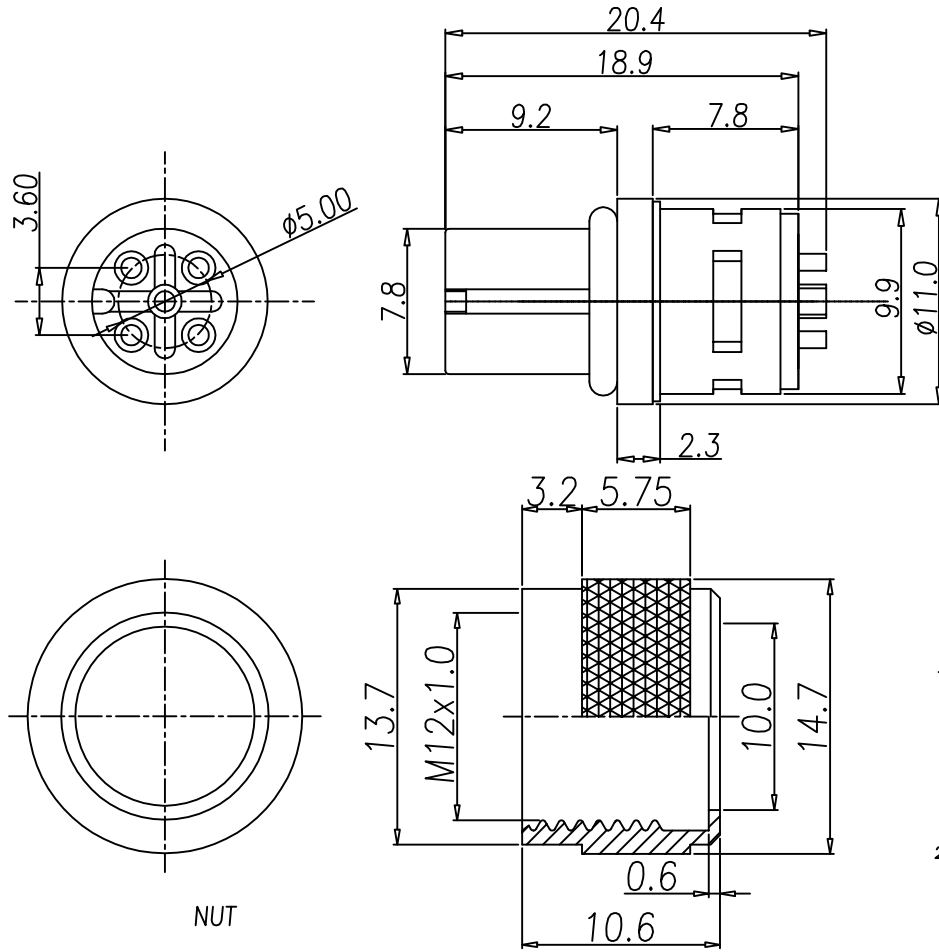
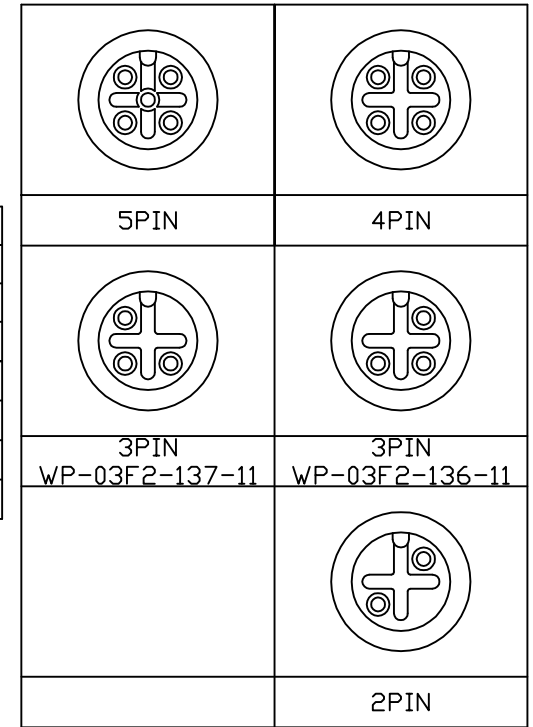


TABLE A

| P/N            | MATERIAL |      |
|----------------|----------|------|
| WP-05F2-123-11 | NYLON 66 | 5PIN |
| WP-05F2-191-11 | PBT      | 5PIN |
| WP-04F2-176-11 | NYLON 66 | 4PIN |
| WP-04F2-249-11 | PBT      | 4PIN |
| WP-03F2-136-11 | PBT      | 3PIN |
| WP-03F2-137-11 | PBT      | 3PIN |
| WP-02F2-79-11  | PBT      | 2PIN |



- MATERIAL :
  - HOUSING : SEE TABLE A ; COLOR : BLACK
  - CONTACT : BRASS
  - NUT : BRASS
  - O-RING : EPDM; COLOR : BLACK(7.5\*1.5)
  - SHELL : BRASS
- FINISH :
  - CONTACT : 10u" MIN. GOLD PLATED  
UNDER PLATE : NICKEL
  - NUT : NICKEL
  - SHELL : BRIGHT TIN
- ELECTRICAL SPECIFICATION :
  - Rated current : 4A
  - Rated Voltage : 2PIN~4PIN 250V ; 5PIN 60V
  - Water proof: IP68
- Environmental :
  - Operation Temperature : -40℃~105℃

| DRAWN | Emily Suen | APP'D | Ku Chou | UNIT  | mm  | TOLERANCE  |  | TITLE    | WP M12 (F) 焊線式螺母壓花(接地剖溝) |         |        | SHEET        |
|-------|------------|-------|---------|-------|-----|--|--|----------|--------------------------|---------|--------|--------------|
| CHK'D | Ku Chou    |       |         | SCALE | 1:1 | .x ±0.20<br>.xx ±0.10<br>.xxx ±0.05<br>.xxxx ±0.03<br>ANGULA ±1° |  | PART NO. | SEE TABLE A              | DWG NO. | QC7553 | VERSION<br>B |

