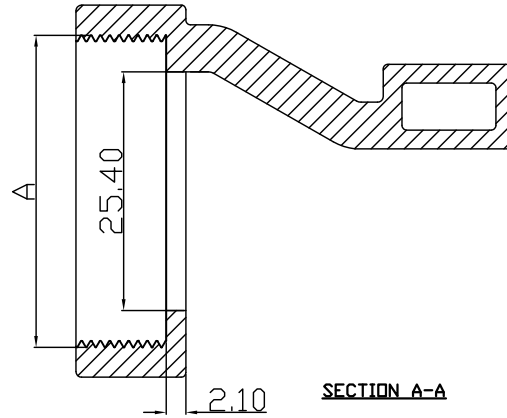
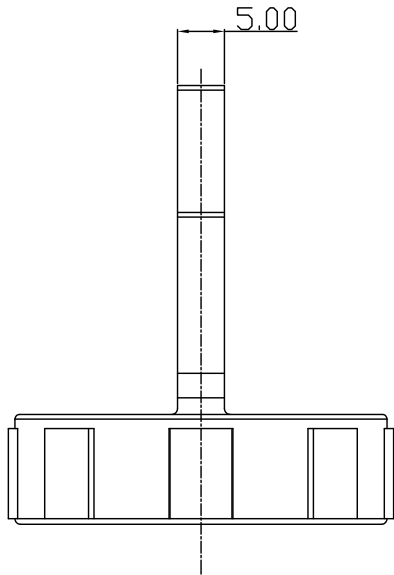


This document is the property of Nian-Yeong Corporation and is delivered on the express condition that it is not to be disclosed, reproduced or used, in whole or in part, for manufacture or sale by anyone other than Nian-Yeong Corporation without its prior consent, and that no right is granted to disclose or to use any information in this document.

CUSTOMER DRAWING

REV.	DESCRIPTION	APPROVED BY	DATE	ECN NO.
A	RELEASE	Fido Weng	13/02/09*	
B				
C				



MATERIAL :
 1-1. BACK COVER : PA66
 COLOR : SEE TABLE A

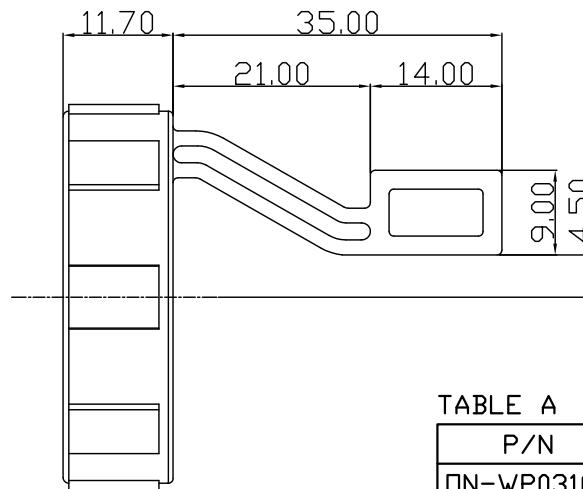
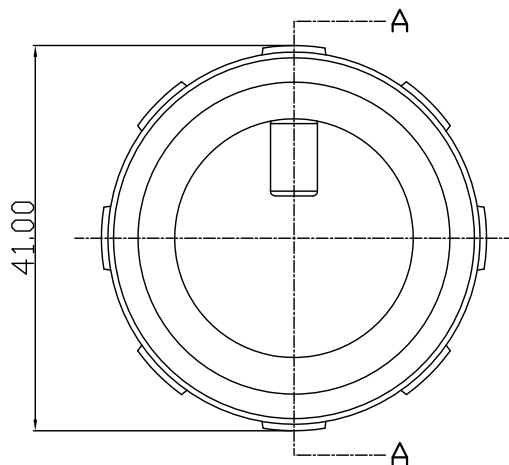


TABLE A

P/N	COLOR	DIM. A
0N-WP0310	黑色	1.375-18UN
0N-WP0309	灰色	1.315-18UN

DRAWN	Yeh Chou	APP'D	Ku Chou	UNIT	mm	TOLERANCE		TITLE	SEE TABLE A			SHEET
CHK'D	Emily Suen			SCALE	1:1	.x ±0.10 .xx ±0.05 .xxx ±0.03 .xxxx ±0.01 ANGULA ±1°		PART NO.	SEE TABLE A	DWG NO.	QC5308	VERSION A
							NIAN YEONG ENTERPRISE 年永實業有限公司					